



US00D858809S

(12) **United States Design Patent**
Kang

(10) **Patent No.:** **US D858,809 S**

(45) **Date of Patent:** **** Sep. 3, 2019**

- (54) **RHOMBUS LED MODULE CASING**
- (71) Applicant: **Robby Hoon Kang**, Irvine, CA (US)
- (72) Inventor: **Robby Hoon Kang**, Irvine, CA (US)
- (**) Term: **15 Years**
- (21) Appl. No.: **29/607,674**
- (22) Filed: **Jun. 15, 2017**
- (51) **LOC (12) Cl.** **26-03**
- (52) **U.S. Cl.**
USPC **D26/24**
- (58) **Field of Classification Search**
USPC D26/1, 24, 25, 28, 51, 72, 76, 80, 104;
D13/180
CPC ... F21V 13/04; F21V 5/00; F21V 5/04; F21V
5/08; F21V 5/007; F21V 21/30; F21V
7/09; F21V 9/16; F21V 31/04; F21L
4/00; G09F 13/00; G09F 13/04
See application file for complete search history.

D802,175	S	*	11/2017	Yang	D26/1
D802,176	S	*	11/2017	Tan	D26/1
D823,496	S	*	7/2018	Farnsworth	D26/24
D835,305	S	*	12/2018	Farnsworth	D26/24
2011/0194284	A1	*	8/2011	Quaal	F21V 21/0808 362/249.02
2013/0042510	A1	*	2/2013	Nall	F21V 5/04 40/541
2013/0335964	A1	*	12/2013	Zanotto	F21V 5/08 362/235
2014/0118990	A1	*	5/2014	Ki	F21V 9/16 362/84
2014/0268818	A1	*	9/2014	Huang	F21V 5/04 362/335
2015/0369448	A1	*	12/2015	Clauss	F21V 31/005 362/311.02
2017/0206813	A1	*	7/2017	Huang	F21V 5/04
2017/0309205	A1	*	10/2017	Wang	F21V 5/002

* cited by examiner

Primary Examiner — Wan Laymon
Assistant Examiner — Clint A Samuel

(57) **CLAIM**

The ornamental design for a rhombus LED module casing, as shown and described.

(56) **References Cited**

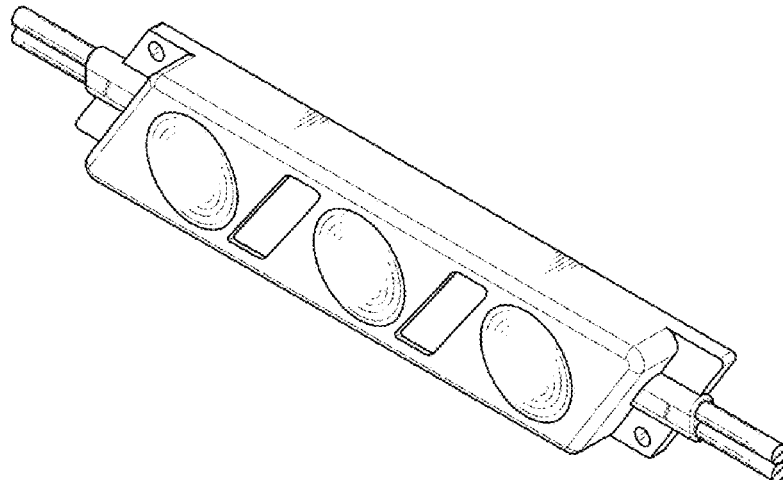
U.S. PATENT DOCUMENTS

D603,549	S	*	11/2009	Ng	D26/80
D642,726	S	*	8/2011	Khubani	D26/37
D663,048	S	*	7/2012	Chen	D26/1
D672,900	S	*	12/2012	Gailly	D26/80
D696,439	S	*	12/2013	He	D26/24
D696,801	S	*	12/2013	He	D26/24
9,057,498	B2	*	6/2015	Nall	F21V 5/04
D743,353	S	*	11/2015	Freeman	D13/180
D754,618	S	*	4/2016	Freeman	D13/180
D756,548	S	*	5/2016	Wang	D26/24
D776,835	S	*	1/2017	Zhang	D26/1
D784,574	S	*	4/2017	Wang	D13/180

DESCRIPTION

FIG. 1 is a isometric view of a rhombus LED module casing showing my new design;
FIG. 2 is a top plan view thereof;
FIG. 3 is a bottom plan view thereof;
FIG. 4 is a rear side elevation view thereof;
FIG. 5 is a front side elevation view thereof;
FIG. 6 is a left side elevation view thereof; and,
FIG. 7 is a right side elevation view of thereof.

1 Claim, 3 Drawing Sheets



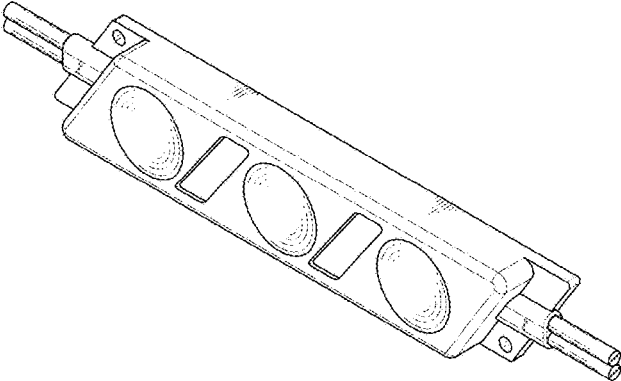


FIG. 1

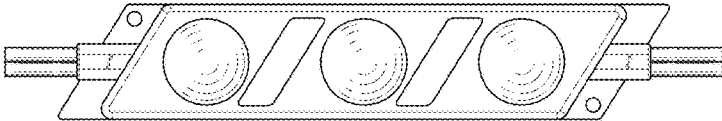


FIG. 2



FIG. 3



FIG. 4

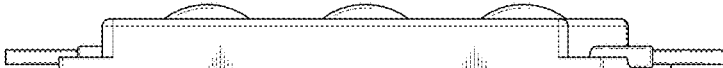


FIG. 5

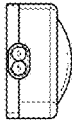


FIG. 6

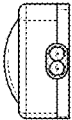


FIG. 7