



US00D877604S

(12) **United States Design Patent** (10) **Patent No.:** **US D877,604 S**
Sillitoe et al. (45) **Date of Patent:** **** Mar. 10, 2020**

(54) **BIO-CLAMP WITH TAMPER-EVIDENT COVER**

FOREIGN PATENT DOCUMENTS

(71) Applicant: **Bio Pure Technology Limited**,
Waterlooville Hampshire (GB)

CN 301238237 5/2010
CN 301243621 6/2010

(Continued)

(72) Inventors: **Chris Sillitoe**, Cornwall (GB); **Nick White**, Falmouth Cornwall (GB)

OTHER PUBLICATIONS

(73) Assignee: **Bio Pure Technology Limited**,
Waterlooville Hampshire (GB)

Taiwanese Notice of Allowance for Design Application S.N. 106305496 dated Apr. 11, 2016.

(Continued)

(**) Term: **15 Years**

Primary Examiner — Steven J Czyz

(21) Appl. No.: **29/617,902**

(74) *Attorney, Agent, or Firm* — Honigman LLP

(22) Filed: **Sep. 16, 2017**

(57) **CLAIM**

(30) **Foreign Application Priority Data**

The ornamental design for a bio-clamp with tamper-evident cover, as shown and described.

Mar. 16, 2017 (EM) 003803584

(51) **LOC (12) Cl.** **08-08**

(52) **U.S. Cl.**
USPC **D8/394**

(58) **Field of Classification Search**
USPC D8/349, 382, 394, 395, 396
CPC . F16L 17/00; F16L 17/04; F16L 21/06; F16L 21/08; F16L 23/00; F16L 23/08; F16L 23/036; F16L 3/13; F16L 33/04; F16L 33/06; F16L 33/08
See application file for complete search history.

DESCRIPTION

FIG. 1 is a front/left side, perspective view of a first embodiment of a bio-clamp with tamper-evident cover; FIG. 2 is a left side view thereof; FIG. 3 is a right side view thereof; FIG. 4 is a top view thereof; FIG. 5 is a bottom view thereof; FIG. 6 is a front elevational view thereof; FIG. 7 is a rear elevational view thereof; FIG. 8 is a front/left side perspective view of the second embodiment of the bio-clamp with tamper-evident cover; FIG. 9 is a left side view thereof; FIG. 10 is a right side view thereof; FIG. 11 is a top view thereof; FIG. 12 is a bottom view thereof; FIG. 13 is a front elevation view thereof; and, FIG. 14 is a rear elevation view thereof.
The broken lines depict portions of the article that form no part of the claimed design.

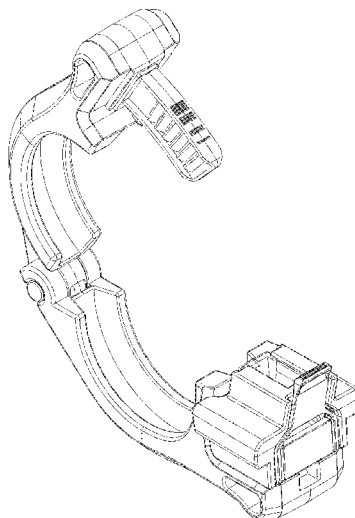
(56) **References Cited**

U.S. PATENT DOCUMENTS

4,186,947 A * 2/1980 Nixon F16L 17/04
285/112
D309,094 S * 7/1990 Donis D23/265
D318,123 S * 7/1991 Yokoyama D24/129
5,359,866 A * 11/1994 Boddy F16B 2/10
24/270
5,620,210 A * 4/1997 Eyster F16L 21/06
24/625

(Continued)

1 Claim, 14 Drawing Sheets



(56)

References Cited

U.S. PATENT DOCUMENTS

D414,405	S *	9/1999	Tompkins	D8/396
D431,650	S *	10/2000	Guala	D24/129
6,170,884	B1 *	1/2001	McLennan	F16L 17/04 285/112
6,227,577	B1 *	5/2001	Ikeda	F16L 17/04 285/112
6,742,223	B1 *	6/2004	Chang	F16L 3/23 24/130
D494,847	S *	8/2004	Maniezzo	D8/382
D570,458	S *	6/2008	Gibb	D23/262
D574,228	S *	8/2008	Johansson	D8/396
D577,423	S *	9/2008	Dole	D23/265
D583,444	S *	12/2008	Nagle	D23/262
D583,916	S *	12/2008	Madara	D23/265
D584,604	S *	1/2009	Baldwin	D8/396
D587,349	S *	2/2009	Madara	D23/265
D595,814	S *	7/2009	Pierce	D23/262
D597,635	S *	8/2009	Dole	D23/262
D598,076	S *	8/2009	Dole	D23/262
D598,077	S *	8/2009	Gibb	D23/265
D600,325	S *	9/2009	Porter	D23/262
D600,326	S *	9/2009	Gibb	D23/265
D602,127	S *	10/2009	Shah	D23/262
D608,868	S *	1/2010	Porter	D23/262
D608,869	S *	1/2010	Porter	D23/262
D608,872	S *	1/2010	Porter	D23/262
D609,312	S *	2/2010	Porter	D23/262
D616,532	S *	5/2010	Madara	D23/262
D618,312	S *	6/2010	Madara	D23/262
D618,314	S *	6/2010	Bowman	D23/262
D621,917	S *	8/2010	Madara	D23/262
D625,785	S *	10/2010	Madara	D23/262
D625,786	S *	10/2010	Bowman	D23/262
D626,202	S *	10/2010	Porter	D23/262
D629,072	S *	12/2010	Madara	D23/262
D629,074	S *	12/2010	Shah	D23/262
D629,076	S *	12/2010	Madara	D23/262
D629,078	S *	12/2010	Dole	D23/262
D629,080	S *	12/2010	Dole	D23/262
D629,082	S *	12/2010	Dole	D23/262
D629,083	S *	12/2010	Dole	D23/262
D629,496	S *	12/2010	Madara	D23/262
D649,641	S *	11/2011	Guttulsrud	D24/143
D674,059	S *	1/2013	Cuvo	D23/262
D674,063	S *	1/2013	Wilk, Jr.	D23/262
D674,064	S *	1/2013	Dole	D23/262
D695,100	S *	12/2013	Whitaker	D8/396
D700,835	S *	3/2014	Langlois	D8/396

8,961,340	B2 *	2/2015	Boatwright	A63B 59/0044 473/568
D735,025	S *	7/2015	Mathien	D8/396
9,074,715	B2 *	7/2015	Weger	F16L 55/02
D749,835	S *	2/2016	Whitaker	D3/10
D763,673	S *	8/2016	Moreau	D8/395
D770,886	S *	11/2016	Whitaker	D8/394
9,518,667	B2 *	12/2016	Ramos	F16K 7/063
9,580,281	B2 *	2/2017	Foley	B66C 1/44
D790,308	S *	6/2017	Larard	D8/72
D798,139	S *	9/2017	Giannatti	D8/394
D807,137	S *	1/2018	Whitaker	D8/72
D807,161	S *	1/2018	Whitaker	D8/394
D813,025	S *	3/2018	Yesavage	D8/395
D813,657	S *	3/2018	Bowman	D8/395
D820,074	S *	6/2018	Huettemann	D8/394
D820,076	S *	6/2018	Ramirez	D8/396
10,074,913	B1 *	9/2018	Bussey	H01R 4/2412
2005/0242585	A1 *	11/2005	Dole	B21D 17/04 285/367
2008/0179469	A1 *	7/2008	Leone	F16L 3/10 248/56
2009/0146417	A1 *	6/2009	Lippka	F16L 17/025 285/112
2010/0102549	A1 *	4/2010	Radzik	F16L 17/04 285/112
2010/0327576	A1 *	12/2010	Linhorst	F16L 23/06 285/38
2012/0227221	A1 *	9/2012	Whitaker	A61M 39/1011 24/459

FOREIGN PATENT DOCUMENTS

CN	301247596	6/2010
CN	301391186	11/2010
CN	303223493	5/2015

OTHER PUBLICATIONS

Taiwanese Notice of Allowance for Design Application S.N. 106305495 dated Apr. 11, 2018.
 Taiwanese Notice of Allowance for Design Application S.N. 106305494 dated Apr. 11, 2018.
 Taiwanese Notice of Allowance for Design Application S.N. 106305499 dated Apr. 19, 2018.
 Taiwanese Notice of Allowance for Design Application S.N. 106305503 dated Apr. 11, 2018.

* cited by examiner

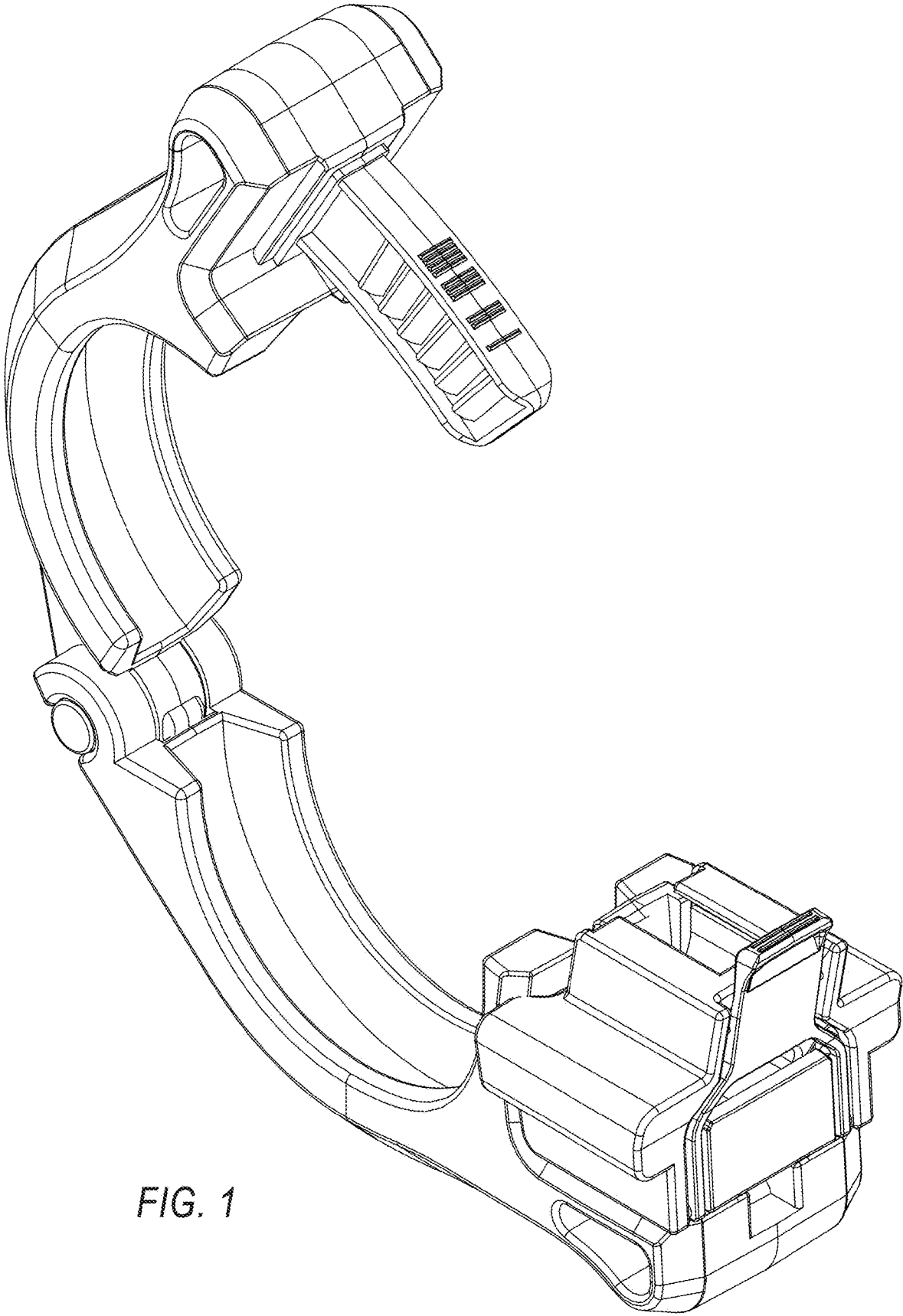


FIG. 1

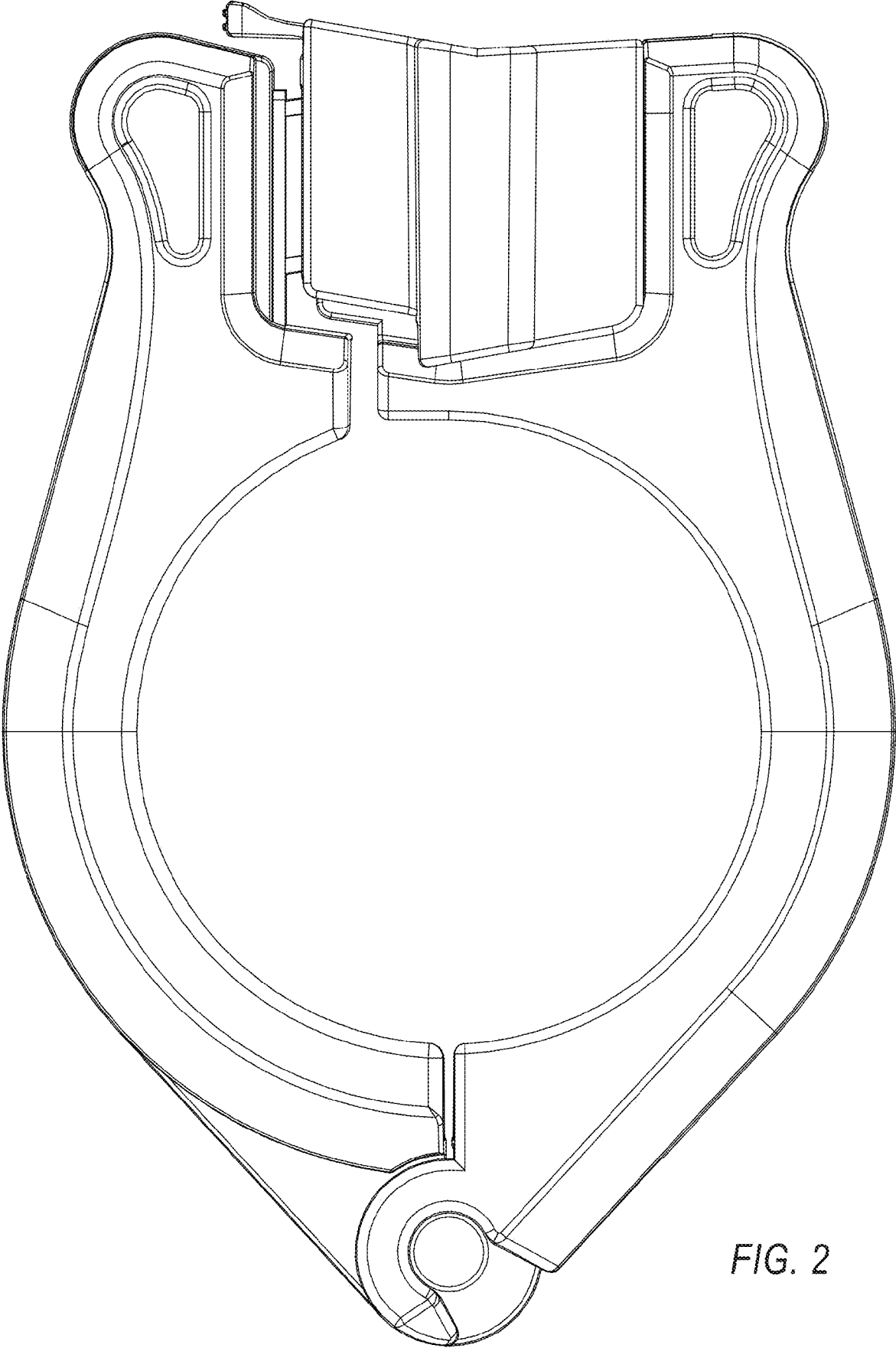


FIG. 2

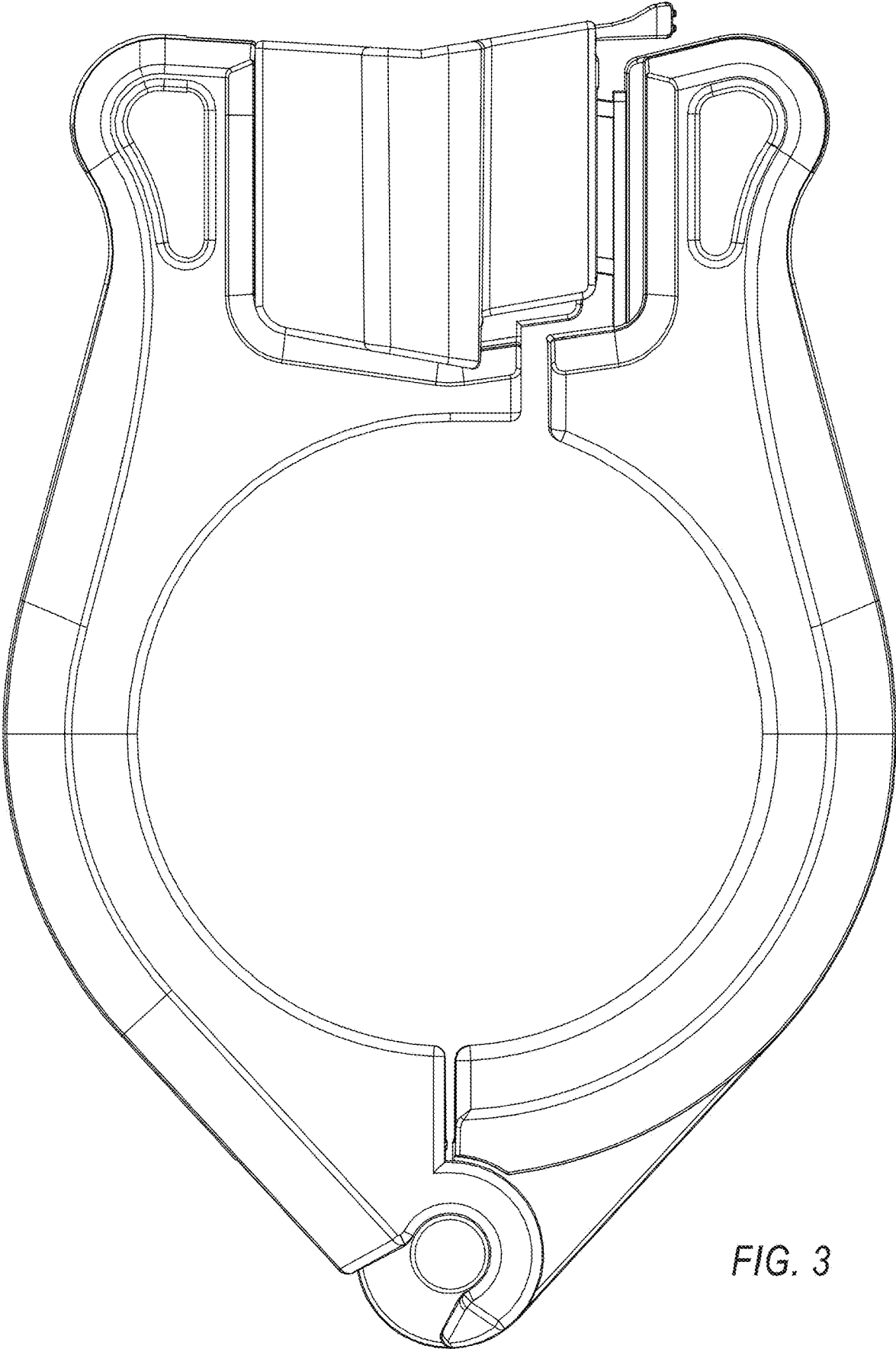


FIG. 3

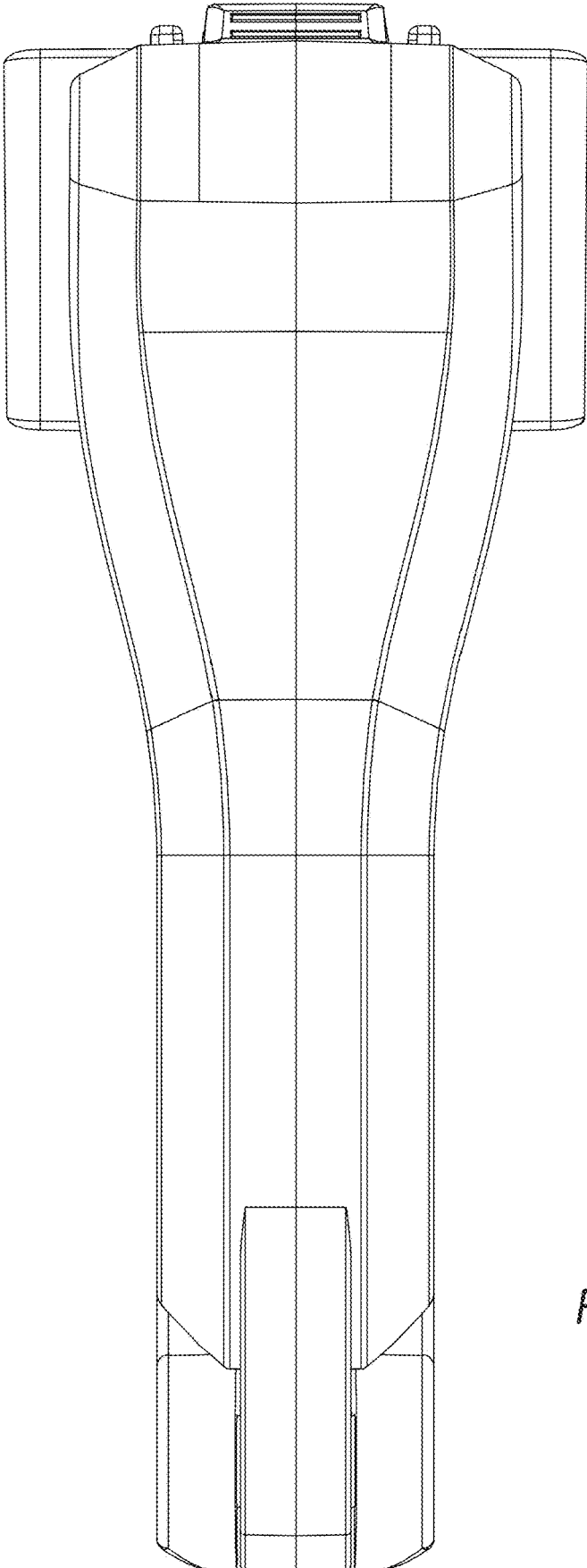


FIG. 4

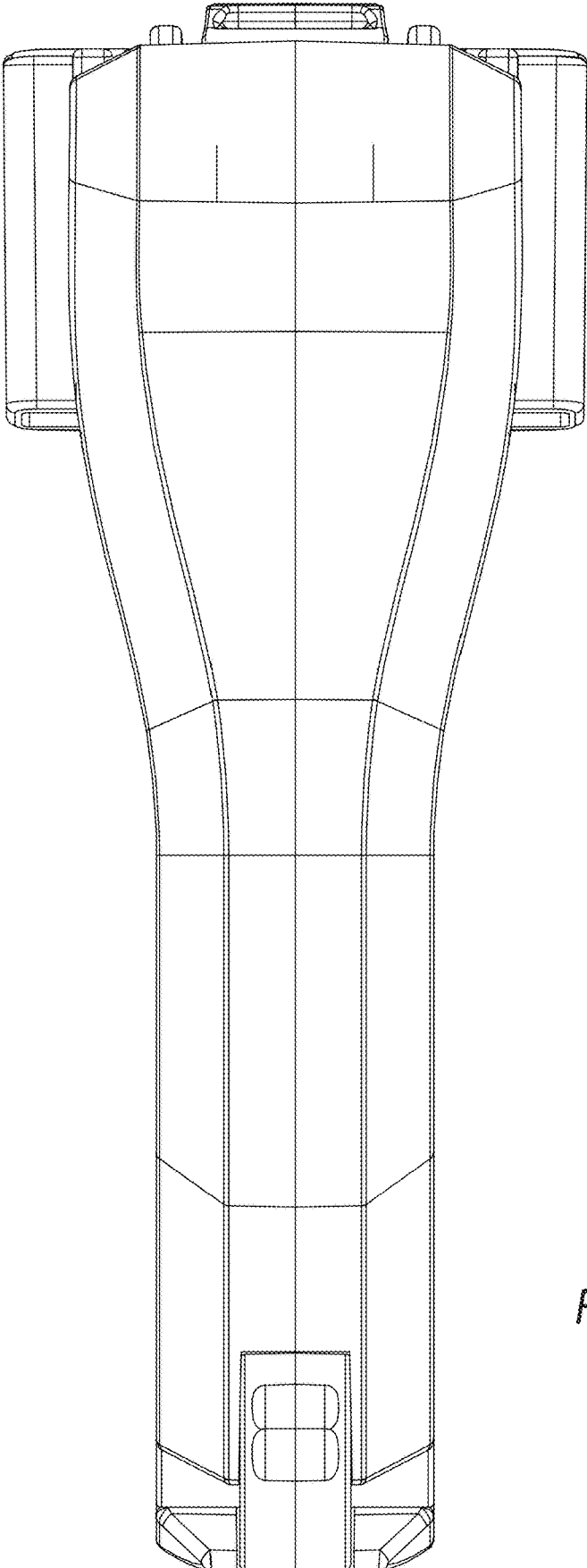


FIG. 5

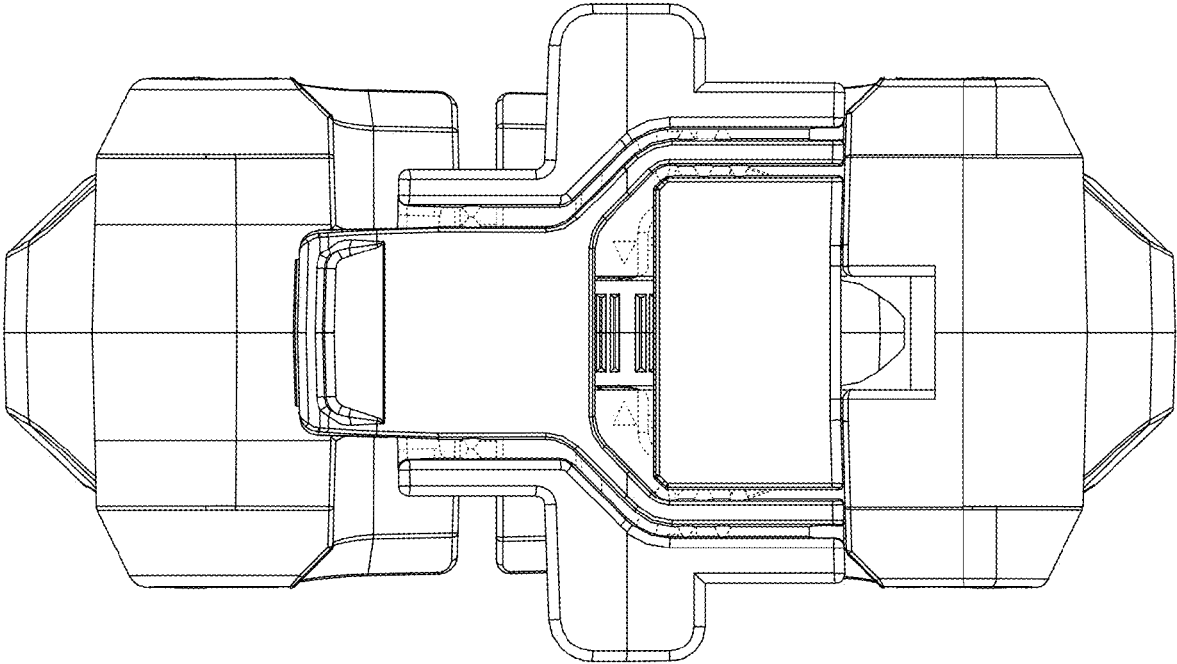


FIG. 6

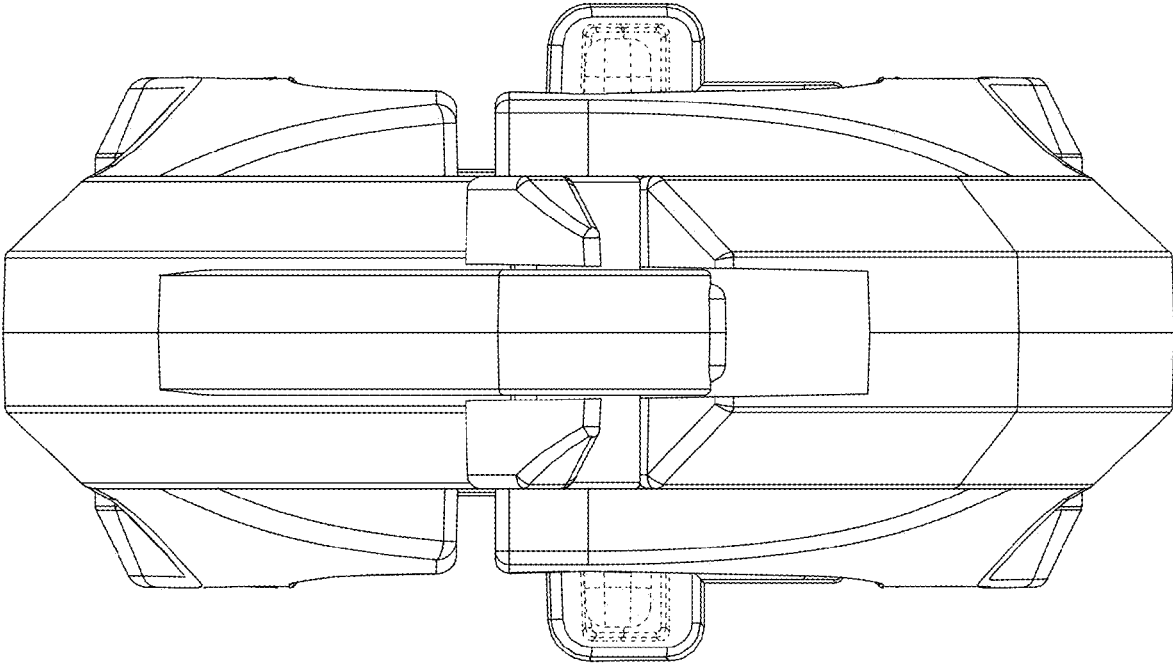


FIG. 7

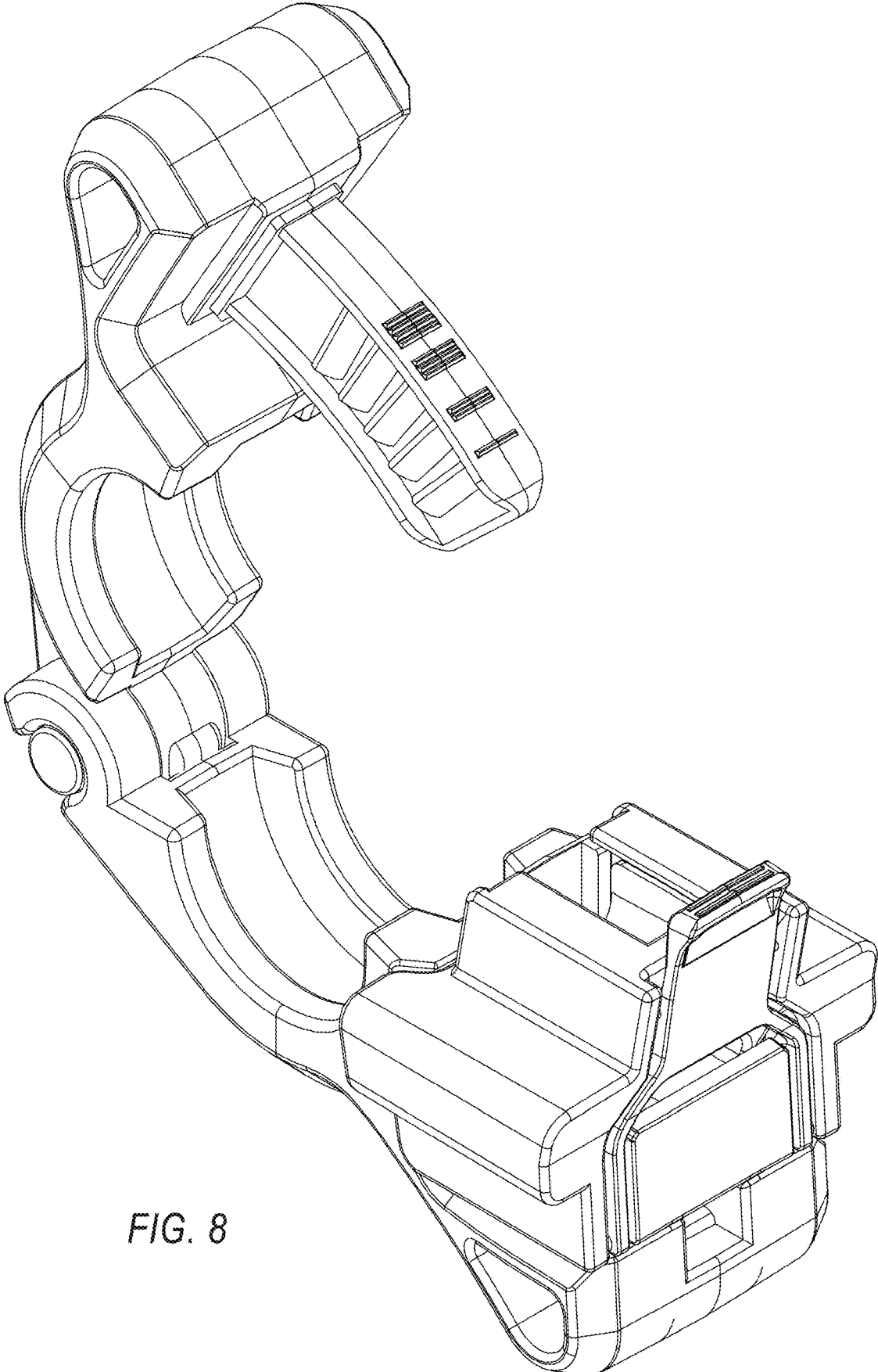


FIG. 8

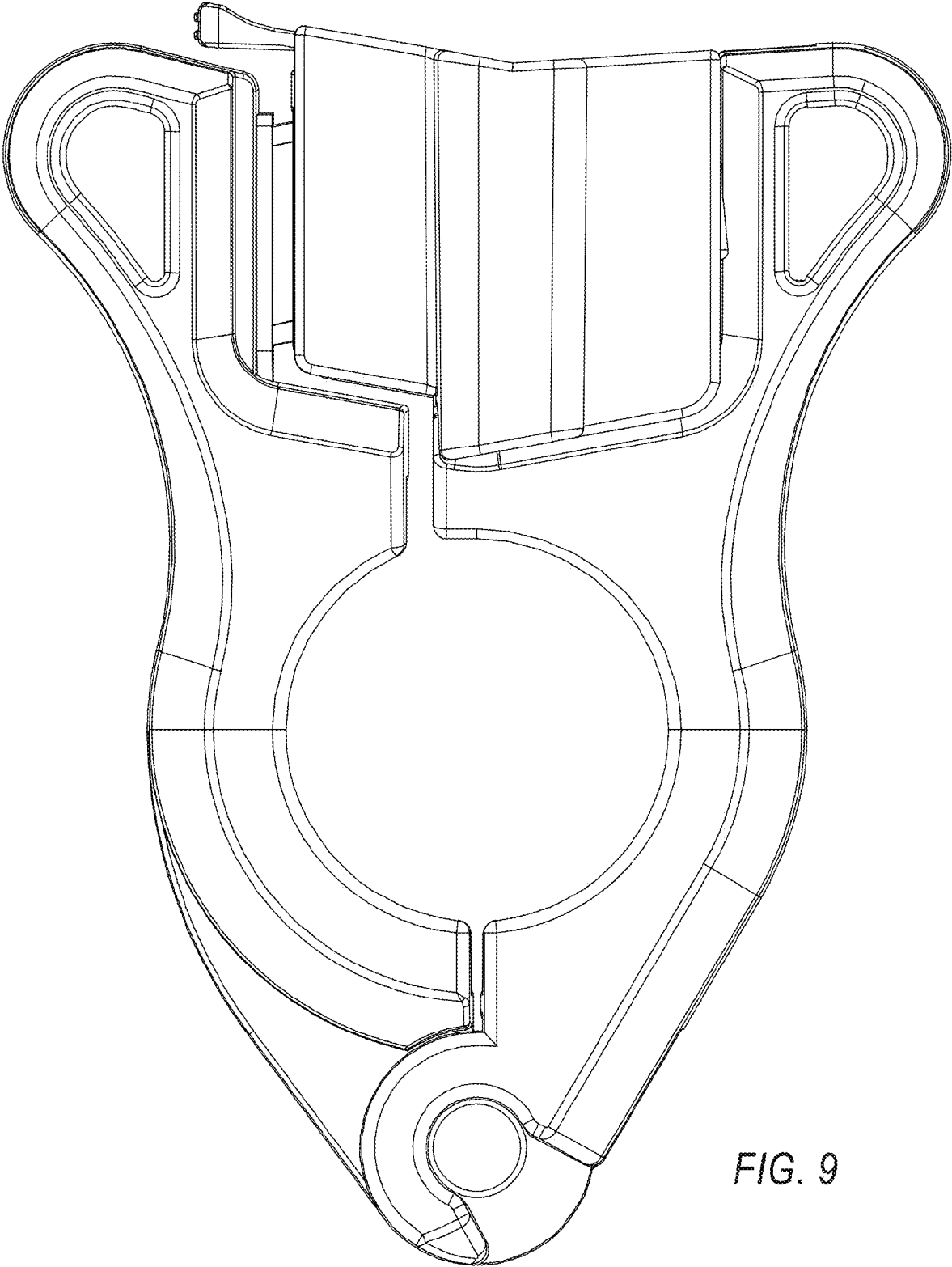


FIG. 9

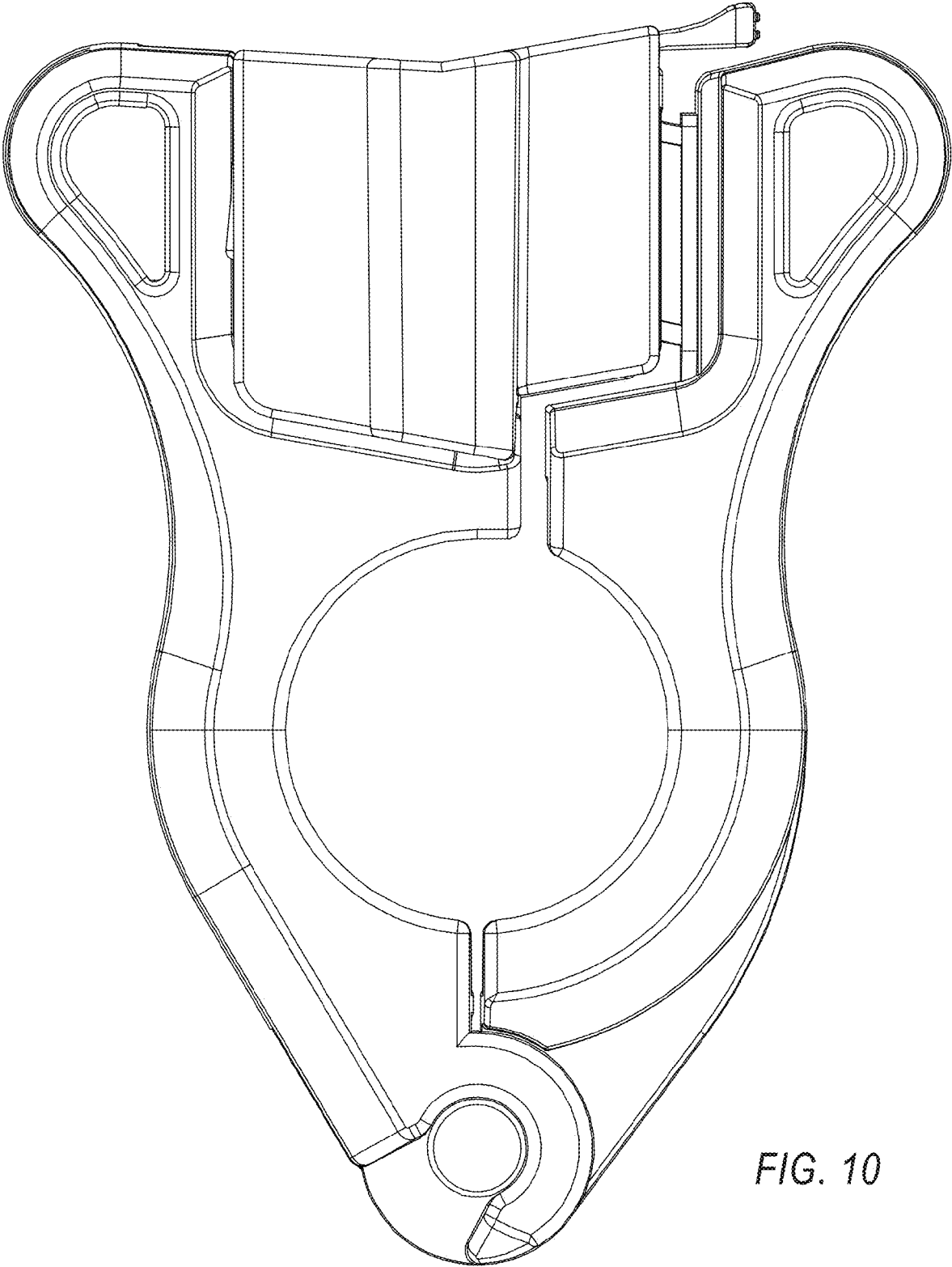


FIG. 10

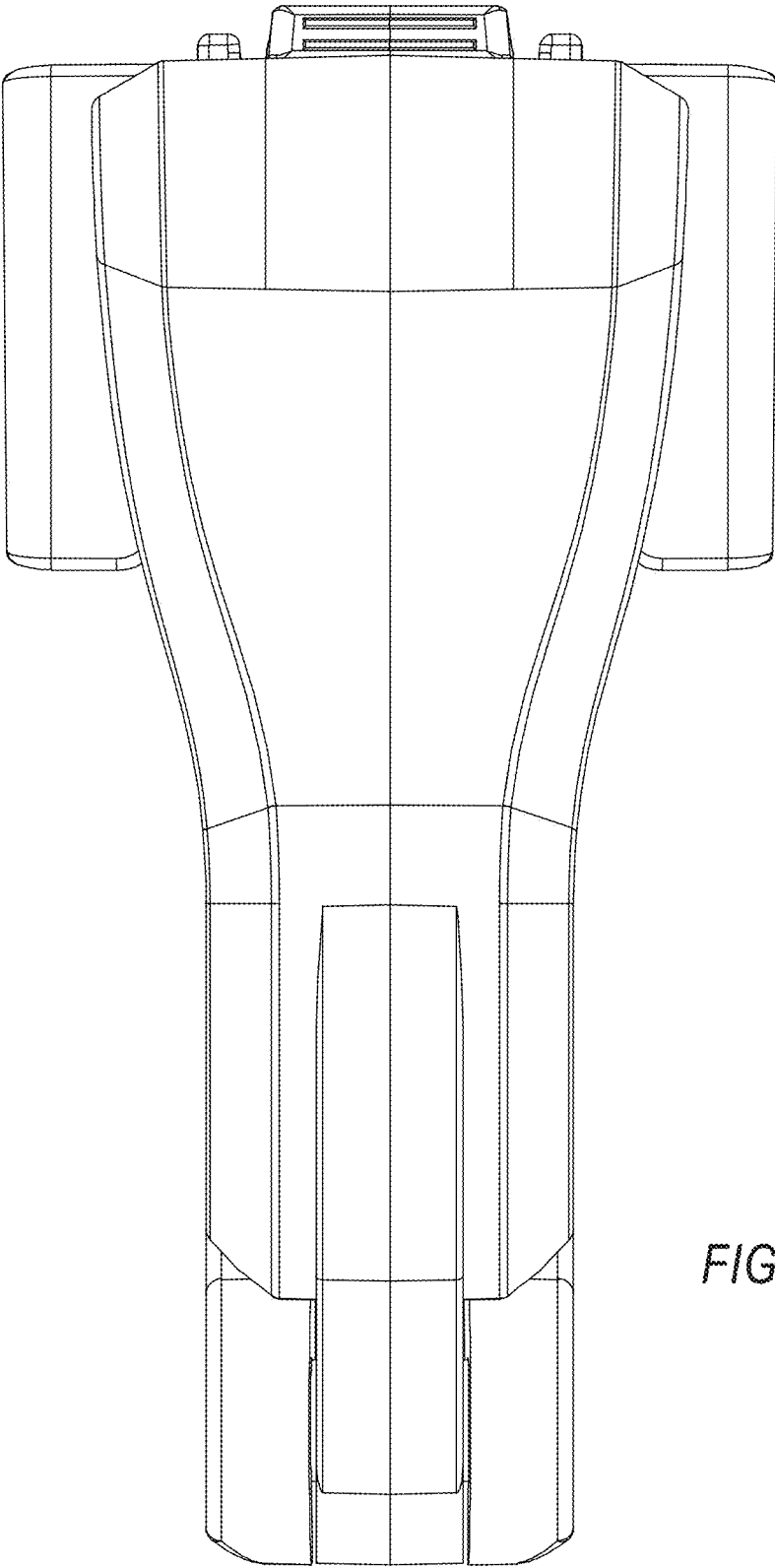


FIG. 11

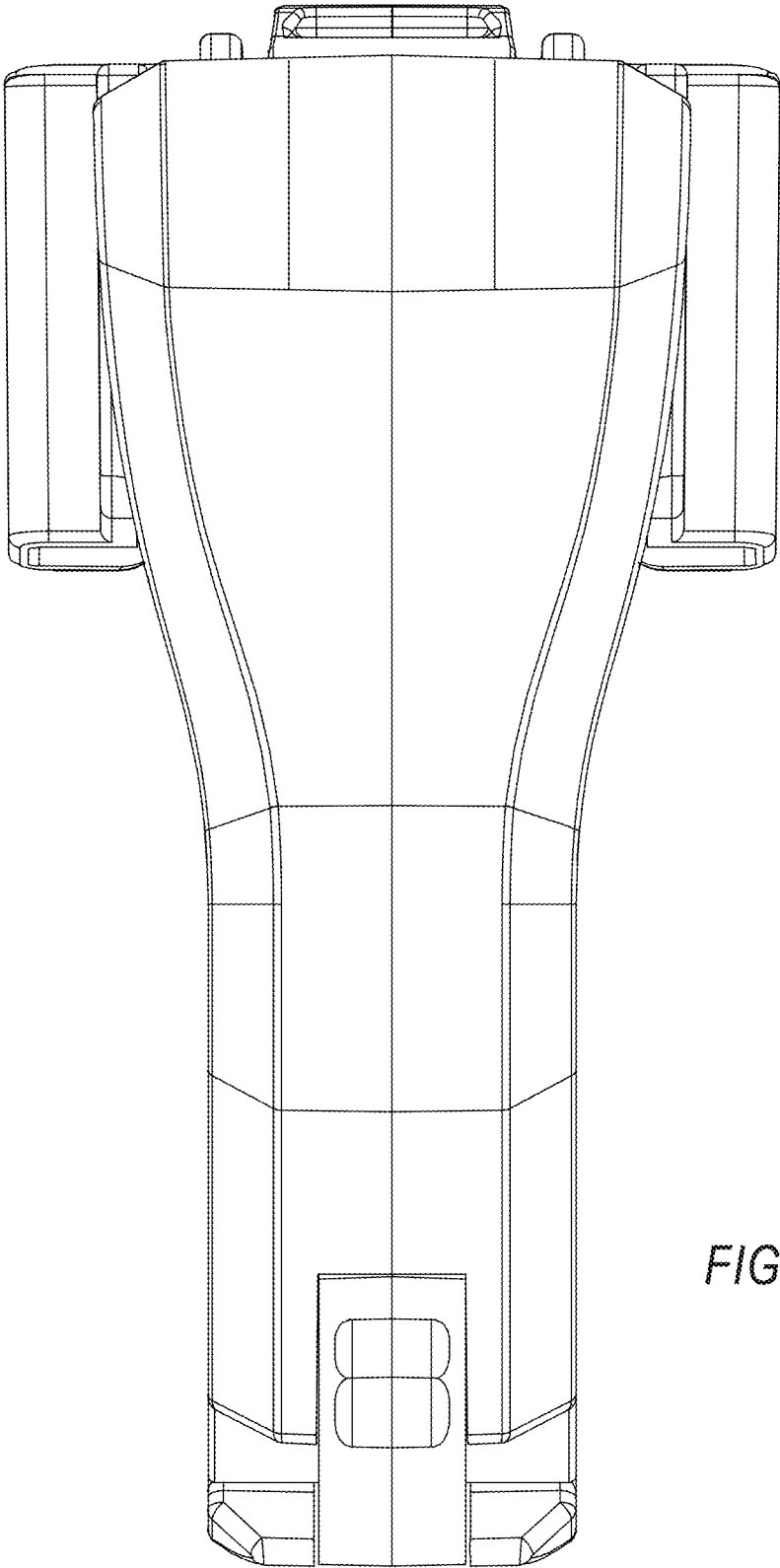


FIG. 12

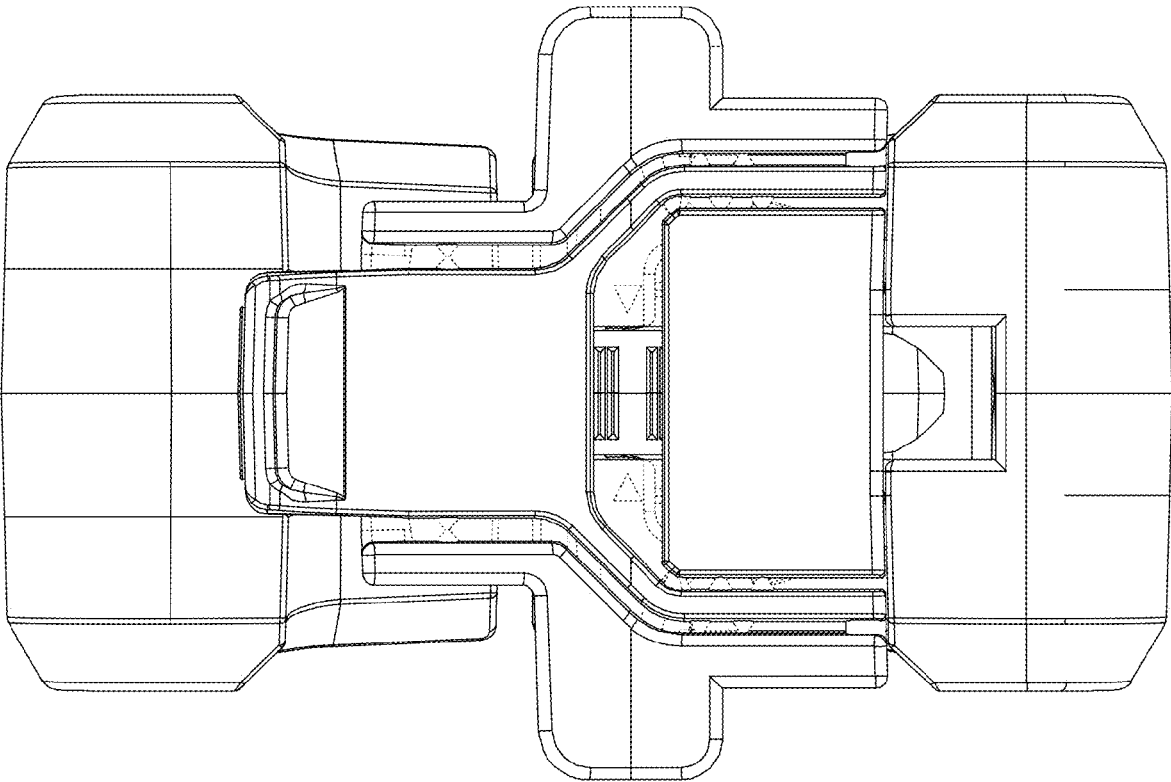


FIG. 13

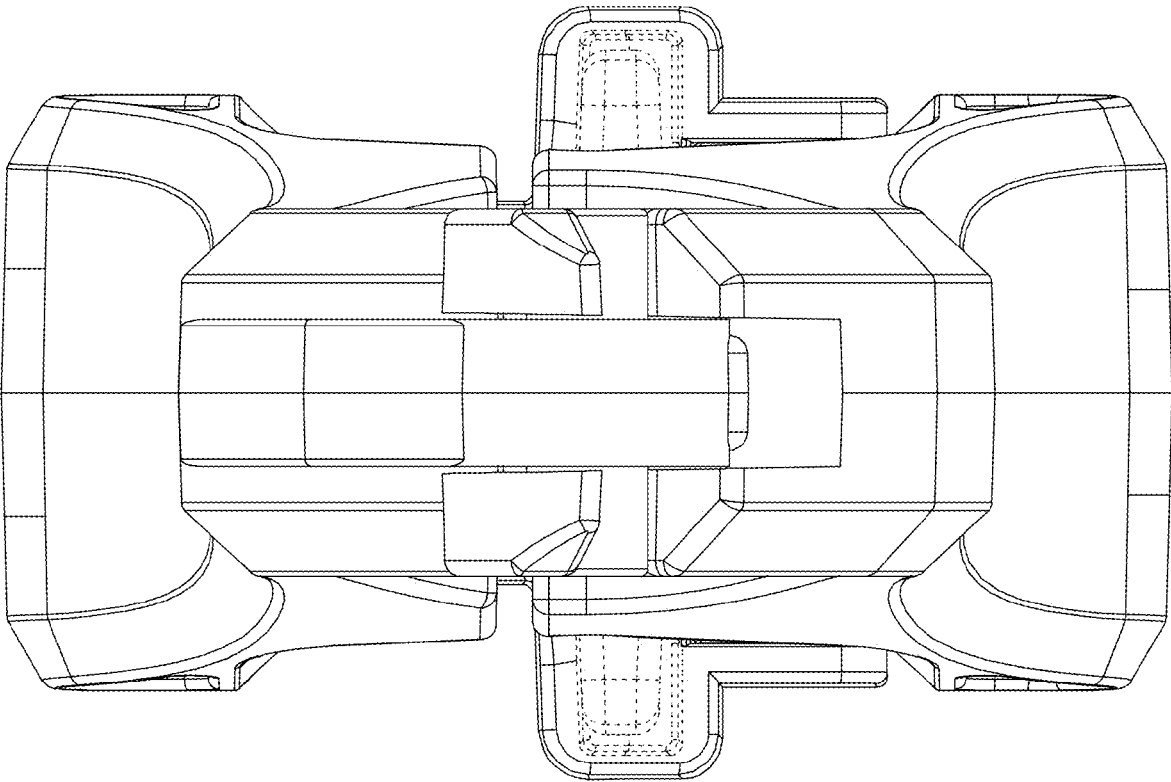


FIG. 14