



US00D825535S

(12) **United States Design Patent**
Wright

(10) **Patent No.:** **US D825,535 S**

(45) **Date of Patent:** **** Aug. 14, 2018**

(54) **WALL LOUDSPEAKER MOUNTING SYSTEM**

Primary Examiner — Paula Allen Greene

(74) *Attorney, Agent, or Firm* — Apogee Law Group P.C.

(71) Applicant: **Doug Wright**, Coeur d’Alene, ID (US)

(72) Inventor: **Doug Wright**, Coeur d’Alene, ID (US)

(**) Term: **15 Years**

(57) **CLAIM**

The ornamental design for wall loudspeaker mounting system, as shown and described.

(21) Appl. No.: **29/555,774**

(22) Filed: **Feb. 24, 2016**

(51) **LOC (11) Cl.** **14-01**

(52) **U.S. Cl.**

USPC **D14/224; D14/209**

(58) **Field of Classification Search**

USPC D14/224, 244.1, 221, 209.1, 211, 204, D14/210, 216, 451, 452, 251, 217, 209; D8/354, 363, 373; 181/144, 145, 153, 181/156, 146, 150–152, 157, 198, 199; 381/300–303, 306, 332, 333, 336, 397; D6/524, 574; 248/284.1, 283.1, 278.1

CPC ... H04R 1/02; H04R 1/26; H04R 1/28; H04R 17/02; H04R 9/08; H05K 5/00; H05K 5/02; A47F 5/00; A47F 5/12; F21V 21/00

See application file for complete search history.

DESCRIPTION

FIG. 1 is a front bottom perspective view of a loudspeaker mounted on an on-wall speaker mounting system.

FIG. 2 is a rear top perspective view of the on-wall speaker mounting system.

FIG. 3 is a front right side perspective view of the on-wall speaker mounting system.

FIG. 4 is a rear right side perspective view of the on-wall speaker mounting system.

FIG. 5 is a right side elevation view of the on-wall speaker mounting system.

FIG. 6 is a left side elevation view of the on-wall speaker mounting system.

FIG. 7 is a bottom elevation view of the on-wall speaker mounting system.

FIG. 8 is top elevation view of the on-wall speaker mounting system.

FIG. 9 is a front elevation view of the on-wall speaker mounting system.

FIG. 10 is a rear elevation view of the on-wall speaker mounting system; and,

FIG. 11 is a front top perspective view of the wall loudspeaker mounting system with the shell of the wall fastening portion removed to view the internal structure shown in broken lines that form no part of the claimed design.

The broken line depict environments that forms no part of the claimed design.

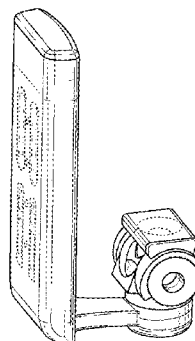
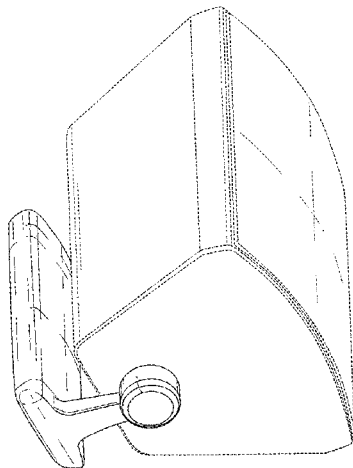
(56) **References Cited**

U.S. PATENT DOCUMENTS

D34,084	S	*	2/1901	Griggs	D14/251
1,897,400	A	*	2/1933	Scofield	B60R 11/0205
						248/291.1
2,278,356	A	*	3/1942	Livingston	H01R 35/02
						248/278.1
D172,523	S	*	6/1954	Stone	D26/138
2,862,328	A	*	12/1958	Wadsworth	A47B 23/02
						108/44
3,124,181	A	*	3/1964	Clemans	B27B 27/04
						269/150
3,324,254	A	*	6/1967	Shaw	H04R 1/08
						248/121
3,362,671	A	*	1/1968	Johnson	G03B 21/58
						211/115

(Continued)

1 Claim, 6 Drawing Sheets



(56)

References Cited

U.S. PATENT DOCUMENTS

4,185,801 A *	1/1980	Plymoth	B25H 1/0021	5,967,479 A *	10/1999	Sweere	A47B 21/00
				248/282.1					248/280.11
4,234,150 A *	11/1980	Mee	B25J 9/1065	6,367,756 B1 *	4/2002	Wang	F16M 11/10
				248/281.11					248/276.1
D268,494 S *	4/1983	Cyrell	D14/224	6,644,614 B1 *	11/2003	Chen	F16M 13/022
4,475,226 A *	10/1984	Greenberg	F21V 33/0056					248/229.1
				362/370	D488,163 S *	4/2004	Hunt	D14/452
4,695,024 A *	9/1987	Haven	A61B 6/447	D488,708 S *	4/2004	Lam	D8/363
				248/280.11	D495,714 S *	9/2004	Pfister	D14/451
4,768,744 A *	9/1988	Leeds	F16M 11/14	D496,367 S *	9/2004	Pfister	D14/451
				248/280.11	D507,477 S *	7/2005	Pfister	D14/451
4,872,630 A *	10/1989	Cooper	B60R 11/00	D512,047 S *	11/2005	Wright	D14/215
				248/278.1	D547,747 S *	7/2007	Allen	D14/211
D311,829 S *	11/1990	Vossoughi	D6/513	7,593,536 B2 *	9/2009	Sung	G03B 31/00
5,123,621 A *	6/1992	Gates	F16M 11/2014					381/312
				248/184.1	D605,632 S *	12/2009	Wathen	D14/216
5,180,129 A *	1/1993	Yamaoka	B60G 13/006	D619,123 S *	7/2010	Lau	D14/224
				248/230.1	7,841,567 B2 *	11/2010	Wang	F16M 11/2092
5,201,896 A *	4/1993	Kruszewski	F16M 11/10					248/136
				248/278.1	D715,310 S *	10/2014	Stifal	D14/451
D342,173 S *	12/1993	Kirchner	D14/452	D716,766 S *	11/2014	Lee	D14/211
D347,841 S *	6/1994	Rossmann	D14/452	D744,321 S *	12/2015	Boynton	D8/363
D349,640 S *	8/1994	Whitaker	D6/574	9,906,847 B2 *	2/2018	Wright	H04R 1/02
D356,568 S *	3/1995	Ichikawa	D14/209	2002/0154789 A1 *	10/2002	Rodgers	F16M 11/041
D363,492 S *	10/1995	Brussing	D14/251					381/363
D400,085 S *	10/1998	Haskin	D8/363	2002/0168079 A1 *	11/2002	Kuerti	H04R 3/002
D406,228 S *	3/1999	Vogels	D14/452					381/361
					2010/0254559 A1 *	10/2010	Heil	H04R 1/08
									381/361

* cited by examiner

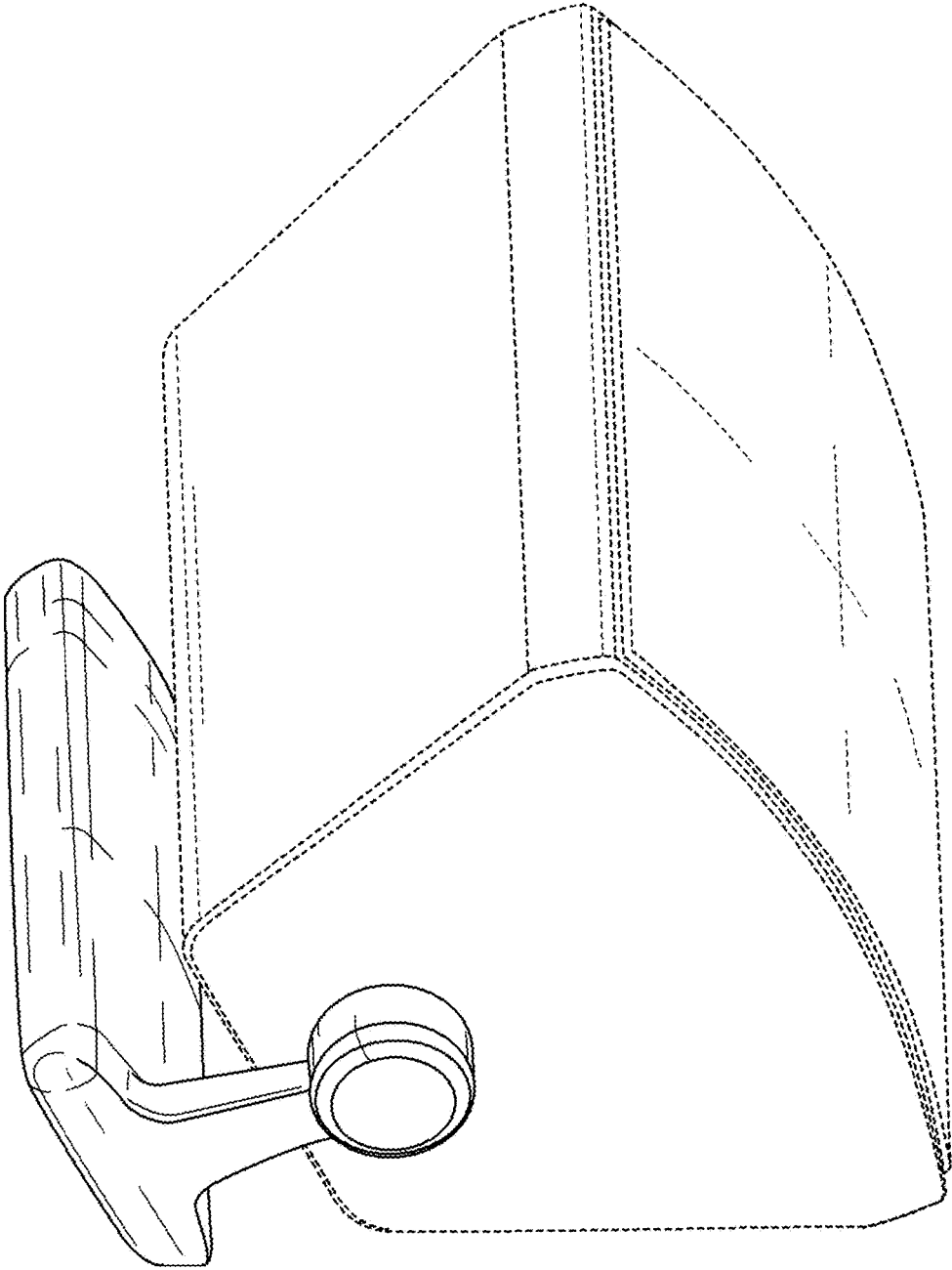


FIGURE 1

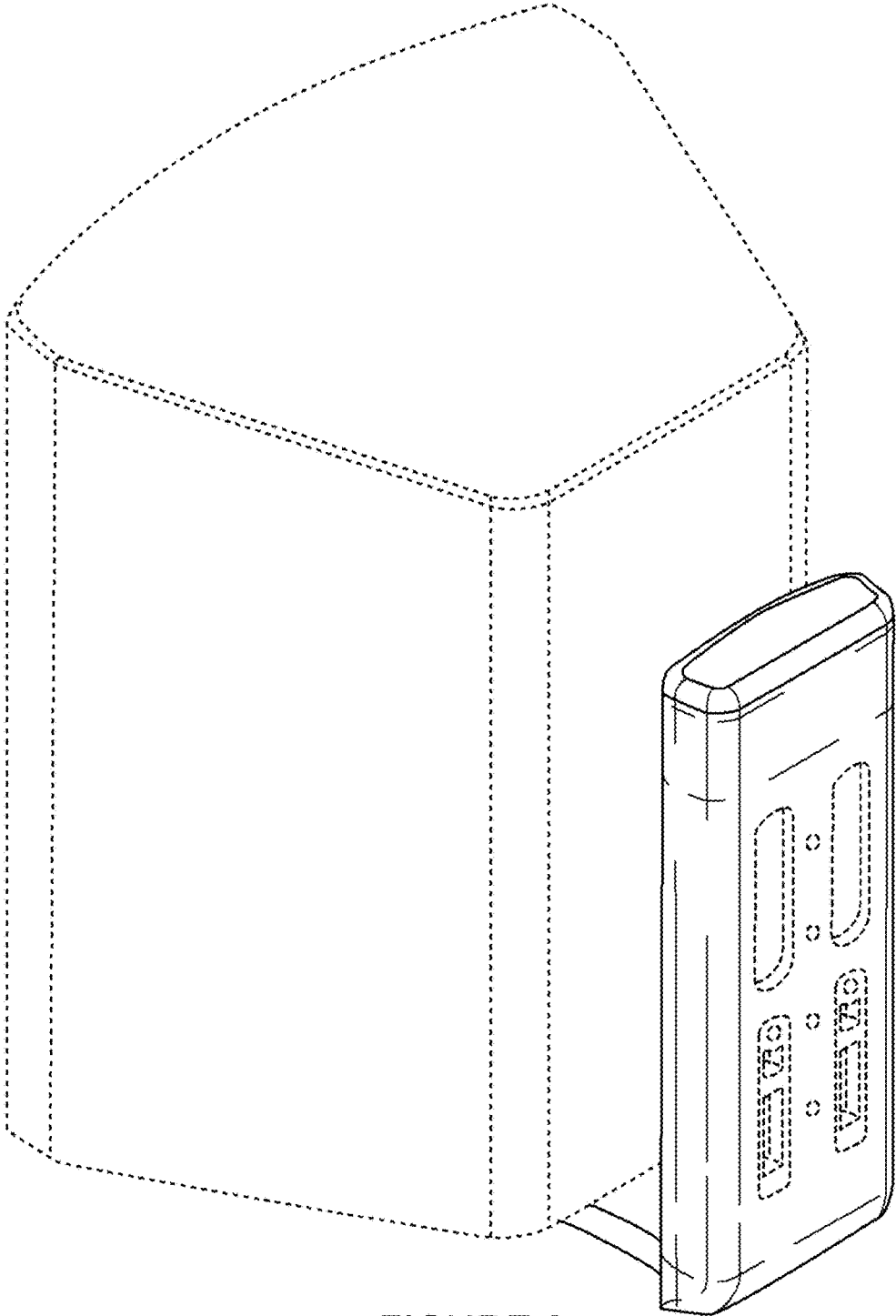


FIGURE 2

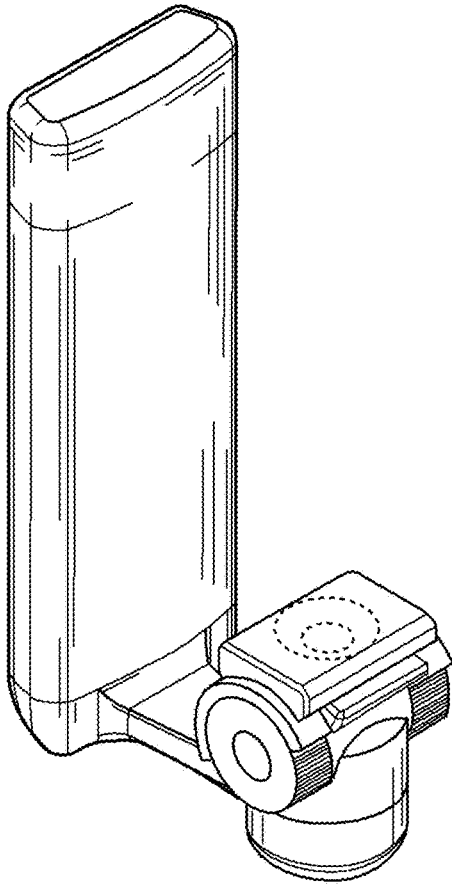


FIGURE 3

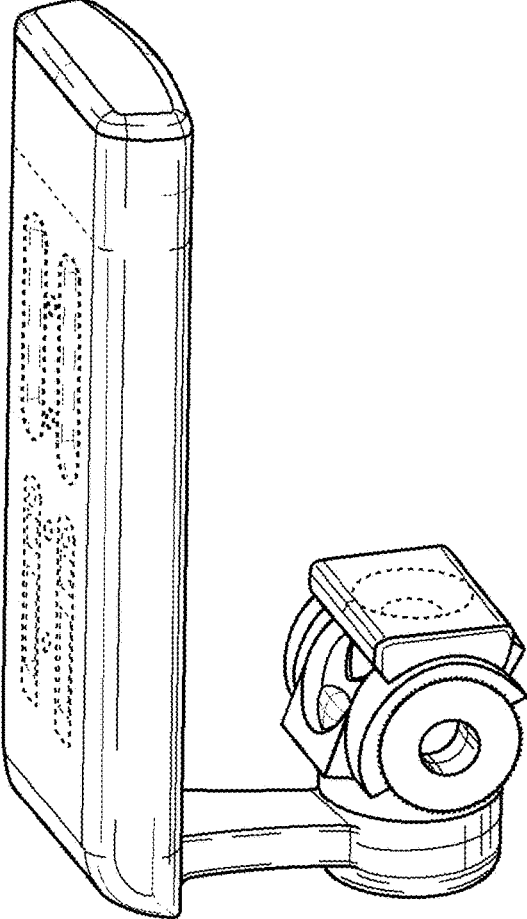


FIGURE 4

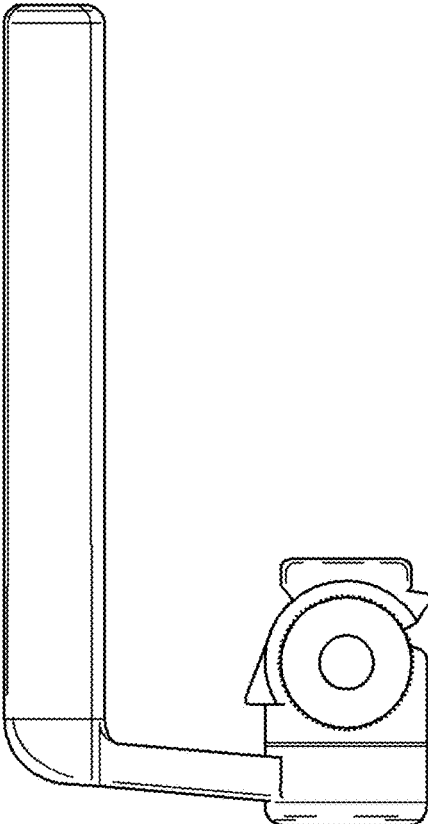


FIGURE 5

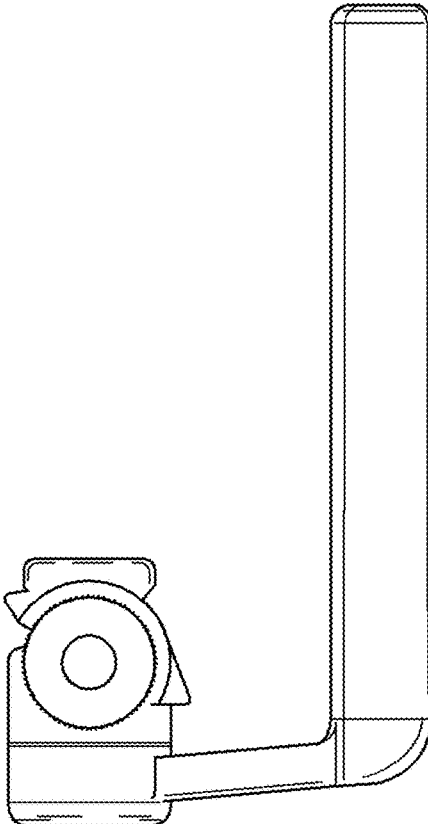


FIGURE 6

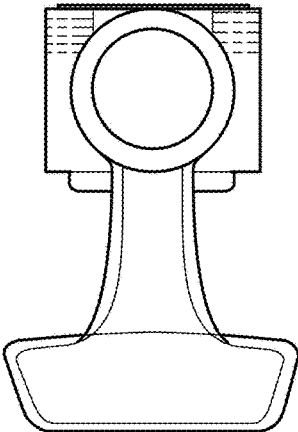


FIGURE 7

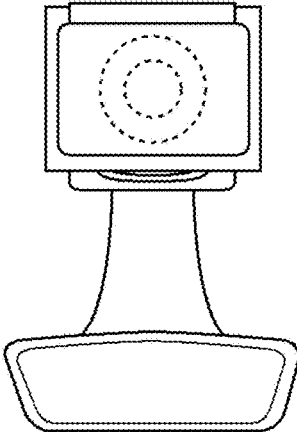


FIGURE 8

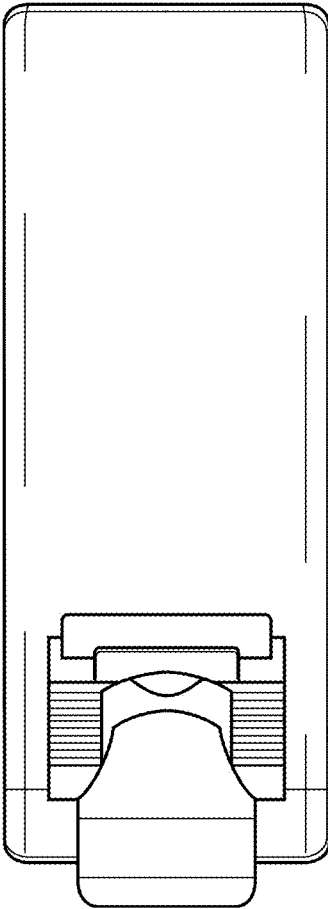


FIGURE 9

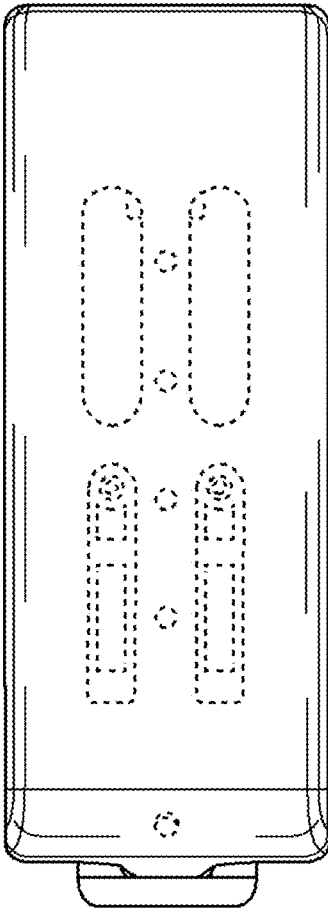


FIGURE 10

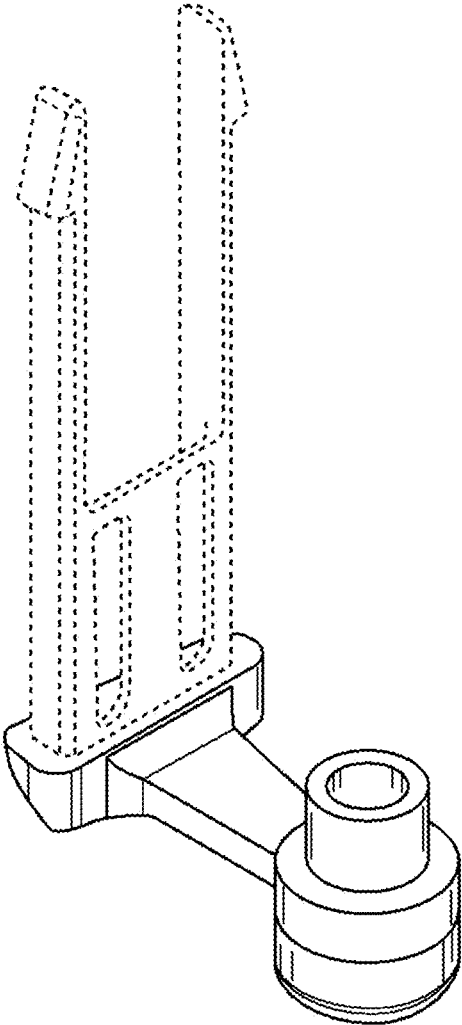


FIGURE 11