



US00D733340S

(12) **United States Design Patent**
Katona et al.

(10) **Patent No.:** **US D733,340 S**

(45) **Date of Patent:** **** Jun. 30, 2015**

(54) **ELONGATED LINEAR REPLACEMENT LAMP**

(71) Applicant: **NEXT LIGHTING CORP.**, San Francisco, CA (US)

(72) Inventors: **Thomas M. Katona**, San Carlos, CA (US); **Steven Paolini**, Saratoga, CA (US)

(73) Assignee: **NEXT LIGHTING, CORP.**, San Francisco

(**) Term: **14 Years**

(21) Appl. No.: **29/470,662**

(22) Filed: **Oct. 23, 2013**

(51) **LOC (10) Cl.** **26-04**

(52) **U.S. Cl.**
USPC **D26/3**

(58) **Field of Classification Search**
USPC D26/1-4; 313/313, 315, 316, 317, 318, 313/493; 315/52, 53, 56, 57, 58
See application file for complete search history.

(56) **References Cited**

U.S. PATENT DOCUMENTS

D477,093 S * 7/2003 Moriyama et al. D26/3
D477,094 S * 7/2003 Moriyama et al. D26/3

* cited by examiner

Primary Examiner — Marcus Jackson

(74) *Attorney, Agent, or Firm* — Wilson Sonsini Goodrich & Rosati

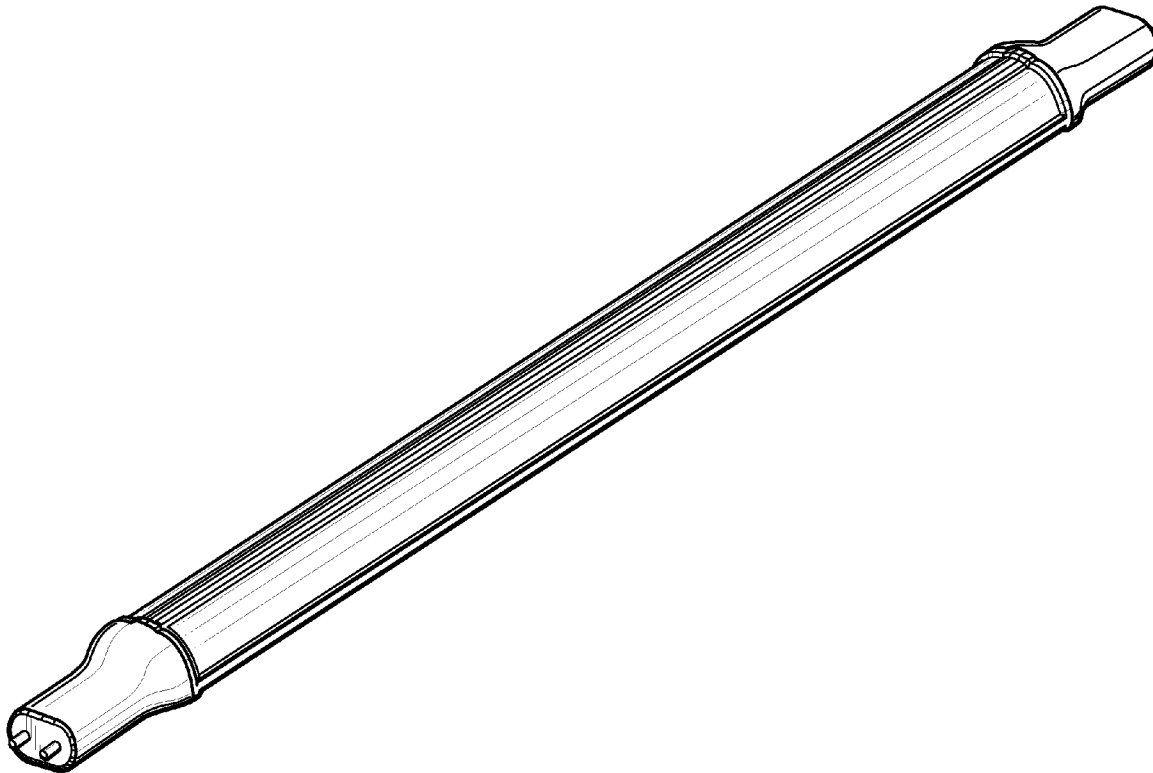
(57) **CLAIM**

The ornamental design for a elongated linear replacement lamp, as shown and described.

DESCRIPTION

FIG. 1 is a top perspective view of a elongated linear replacement lamp showing our new design;
FIG. 2 is a bottom perspective view thereof;
FIG. 3 is a top view thereof;
FIG. 4 is a side view thereof;
FIG. 5 is a bottom view thereof; and,
FIG. 6 is an enlarged end elevational view thereof.

1 Claim, 4 Drawing Sheets



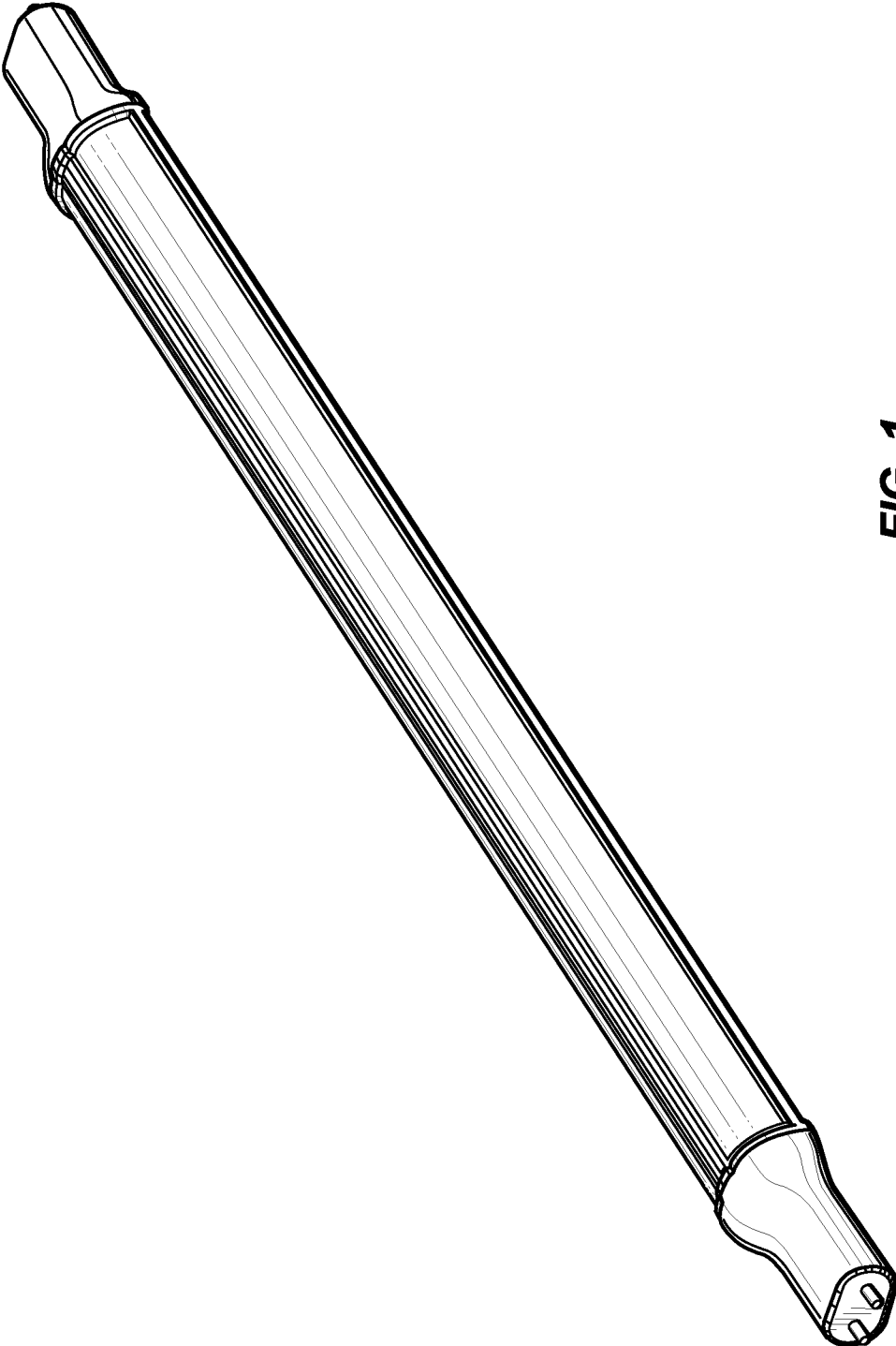


FIG. 1

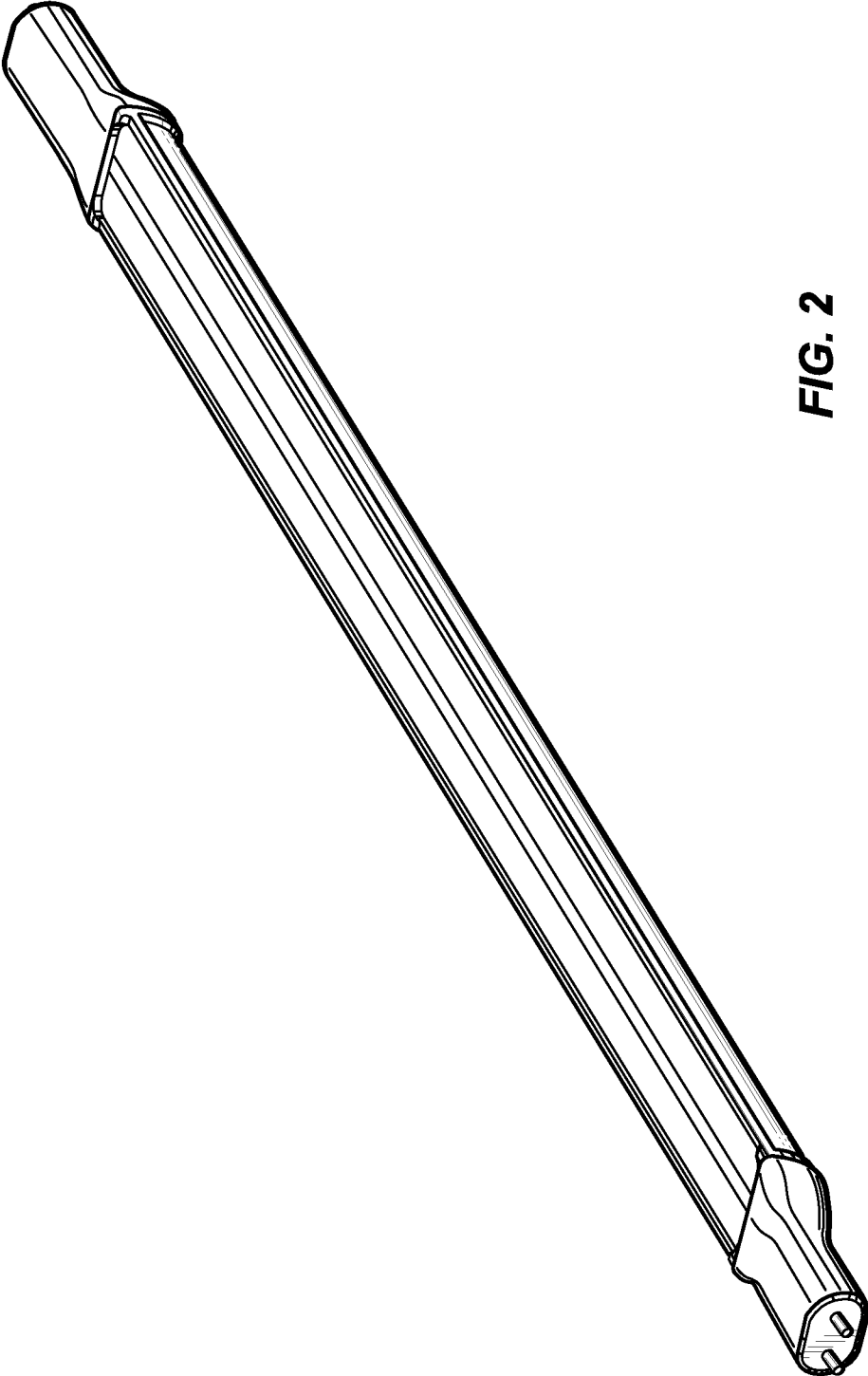


FIG. 2

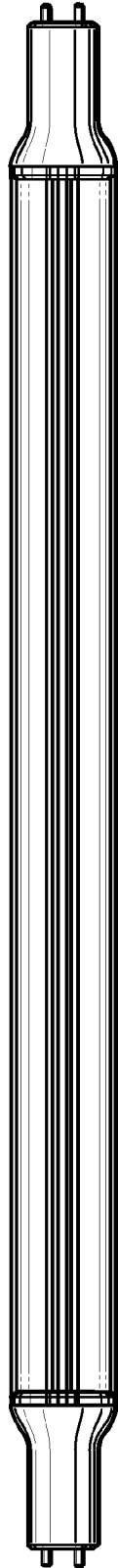


FIG. 3

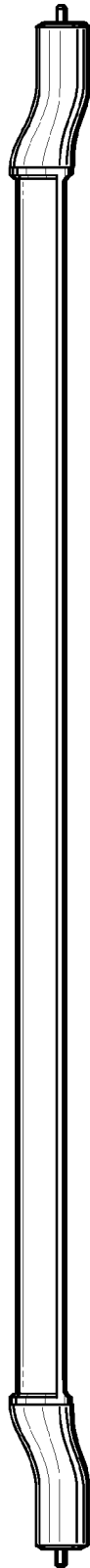


FIG. 4

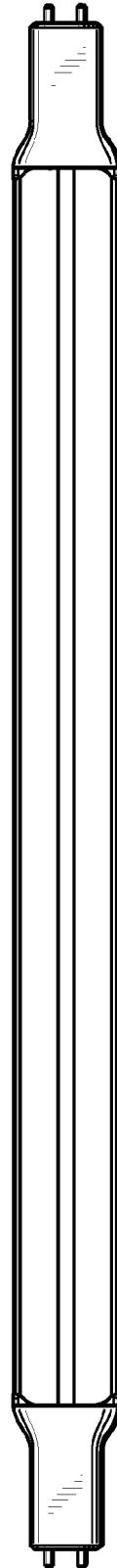


FIG. 5

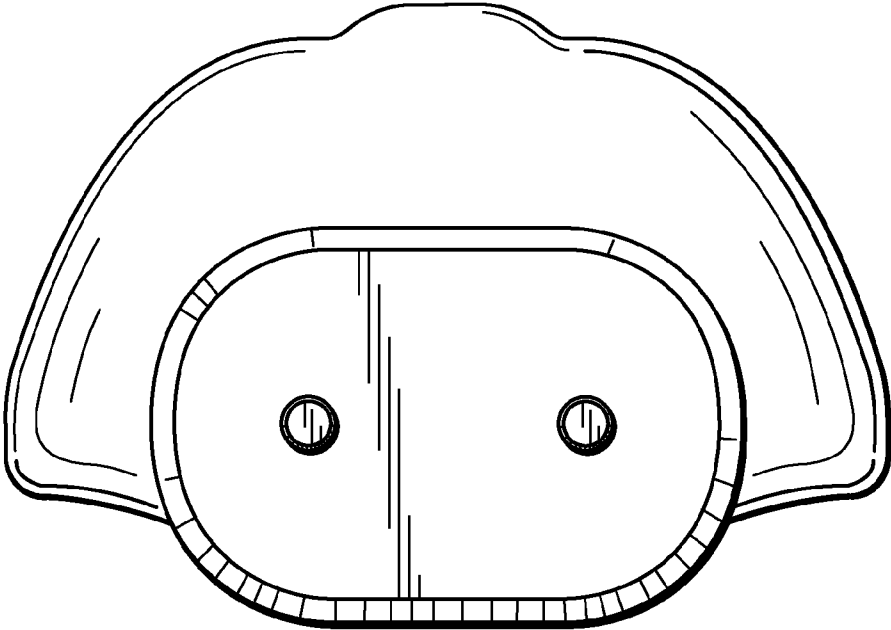


FIG. 6

UNITED STATES PATENT AND TRADEMARK OFFICE
CERTIFICATE OF CORRECTION

PATENT NO. : D733,340 S
APPLICATION NO. : 29/470662
DATED : June 30, 2015
INVENTOR(S) : Thomas M. Katona et al.

Page 1 of 1

It is certified that error appears in the above-identified patent and that said Letters Patent is hereby corrected as shown below:

Title Page

Item (54) Title:

Change "ELONGATED LINEAR REPLACEMENT LAMP" to -- LINEAR
REPLACEMENT LAMP --

Signed and Sealed this
Third Day of May, 2016



Michelle K. Lee
Director of the United States Patent and Trademark Office