



US00D613902S

(12) **United States Design Patent**
Kaljura

(10) **Patent No.:** **US D613,902 S**

(45) **Date of Patent:** **** Apr. 13, 2010**

(54) **SMOKING ARTICLE**

(75) Inventor: **Karl Kaljura**, Southampton (GB)

(73) Assignee: **British American Tobacco (Investments) Limited**, London (GB)

(**) Term: **14 Years**

(21) Appl. No.: **29/303,173**

(22) Filed: **Feb. 1, 2008**

(30) **Foreign Application Priority Data**

Aug. 10, 2007 (EM) 000778220

(51) **LOC (9) Cl.** **27-01**

(52) **U.S. Cl.** **D27/101**

(58) **Field of Classification Search** D27/100-101;
131/360-361, 364-365

See application file for complete search history.

(56) **References Cited**

U.S. PATENT DOCUMENTS

2,584,060	A *	1/1952	Stephano	131/347
D229,790	S *	1/1974	Berger	D27/101
4,995,407	A *	2/1991	Kossiakoff et al.	D27/101
5,044,381	A *	9/1991	Thomas	131/361
2008/0029106	A1 *	2/2008	Mishra et al.	131/365
2008/0115794	A1 *	5/2008	Oglesby	131/365

2008/0173320	A1 *	7/2008	Dunlap et al.	131/365
2008/0202542	A1 *	8/2008	Hampl et al.	131/365

FOREIGN PATENT DOCUMENTS

JP 02-46585 3/1990

* cited by examiner

Primary Examiner—Jennifer Rivard

(74) *Attorney, Agent, or Firm*—Walter G. Hanchuk; Chadbourne & Parke LLP

(57) **CLAIM**

I claim the ornamental design for a smoking article, as shown and described.

DESCRIPTION

FIG. 1 is a left end, perspective view of the smoking article showing the design of the disclosed invention;

FIG. 2 is a plan view thereof, the opposite plan view being a mirror image;

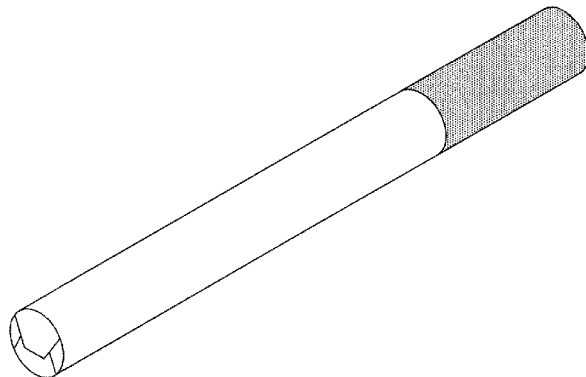
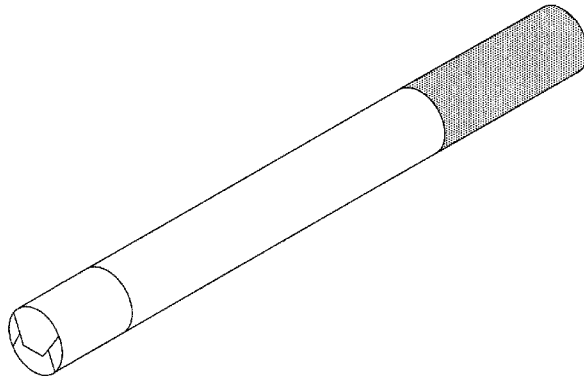
FIG. 3 is a left end view thereof;

FIG. 4 is a left end, perspective view of a second embodiment of the smoking article;

FIG. 5 is a plan view of the second embodiment thereof, the opposite plan view being a mirror image; and,

FIG. 6 is a left end view of the second embodiment thereof.

1 Claim, 4 Drawing Sheets



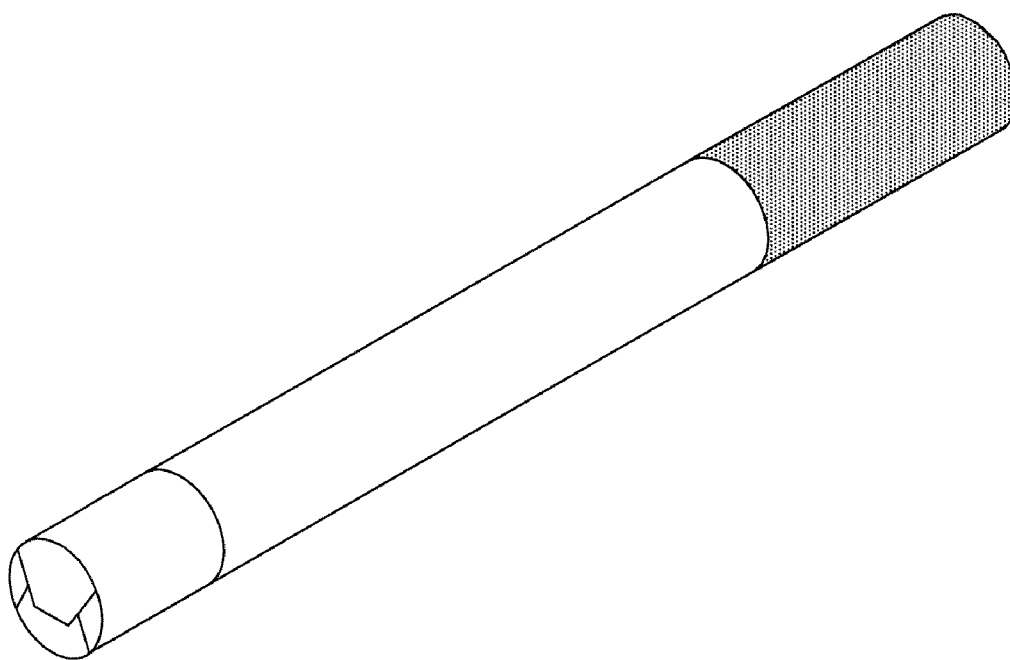


FIGURE 1



FIGURE 2

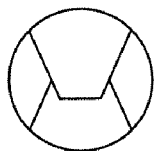


FIGURE 3

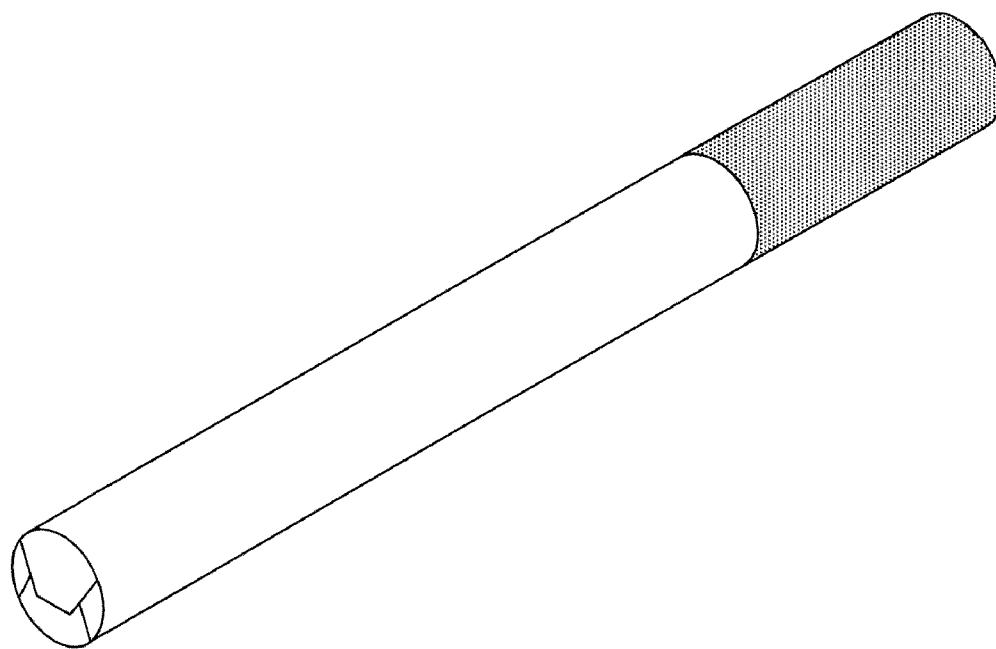


FIGURE 4

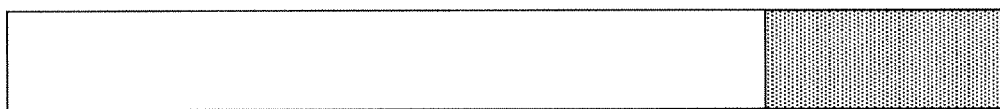


FIGURE 5

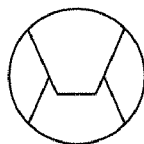


FIGURE 6