



US00D968367S

(12) **United States Design Patent**  
**Lindof**

(10) **Patent No.:** **US D968,367 S**

(45) **Date of Patent:** **\*\* Nov. 1, 2022**

- (54) **HEADSET**
- (71) Applicant: **RTX A/S, Nørresundby (DK)**
- (72) Inventor: **Jens Christian Lindof, Nørresundby (DK)**
- (73) Assignee: **RTX A/S, Nørresundby (DK)**
- (\*\*) Term: **15 Years**
- (21) Appl. No.: **29/756,702**
- (22) Filed: **Oct. 30, 2020**
- (30) **Foreign Application Priority Data**
  - May 1, 2020 (EM) ..... 007854161-0001
  - May 1, 2020 (EM) ..... 007854161-0003
  - May 1, 2020 (EM) ..... 007854161-0005
- (51) **LOC (13) Cl.** ..... **14-01**
- (52) **U.S. Cl.**
  - USPC ..... **D14/206; D14/226**
- (58) **Field of Classification Search**
  - USPC ..... D14/206, 205, 226, 188, 192; D29/112;  
2/209; 381/380, 381, 374; 455/90.3,  
455/575.1, 569.1
  - CPC ..... H04R 25/00; H04R 25/02; H04R 1/10;  
H04R 1/1066; H04R 1/1016; H04R  
5/033; H04R 5/0335; H04R 19/04; H04R  
1/1008

See application file for complete search history.

6,952,481	B2 *	10/2005	Larsen	.....	H04M 1/05	381/74
6,965,681	B2 *	11/2005	Almqvist	.....	H04R 1/1041	381/371
D514,086	S *	1/2006	Skulley	.....	D14/206	
D517,528	S *	3/2006	Skulley	.....	D14/206	
7,106,873	B1 *	9/2006	Harrison	.....	A61N 1/36038	381/330
D530,307	S *	10/2006	Rath	.....	D14/206	
D530,702	S *	10/2006	Pritchard	.....	D14/206	
D531,165	S *	10/2006	Rath	.....	D14/206	
D535,285	S *	1/2007	Skulley	.....	D14/205	
D538,785	S *	3/2007	Skulley	.....	D14/206	
D540,778	S *	4/2007	Thompson	.....	D14/206	
7,391,863	B2 *	6/2008	Viduya	.....	H04M 1/05	379/430
7,519,196	B2 *	4/2009	Bech	.....	H04R 1/105	381/371
D601,543	S *	10/2009	Bentley	.....	D14/206	
D602,001	S *	10/2009	Bentley	.....	D14/206	
D602,002	S *	10/2009	Asai	.....	D14/206	
D612,835	S *	3/2010	Yang	.....	D14/206	

(Continued)

*Primary Examiner* — Paula Allen Greene  
(74) *Attorney, Agent, or Firm* — Merchant & Gould P.C.

(57) **CLAIM**

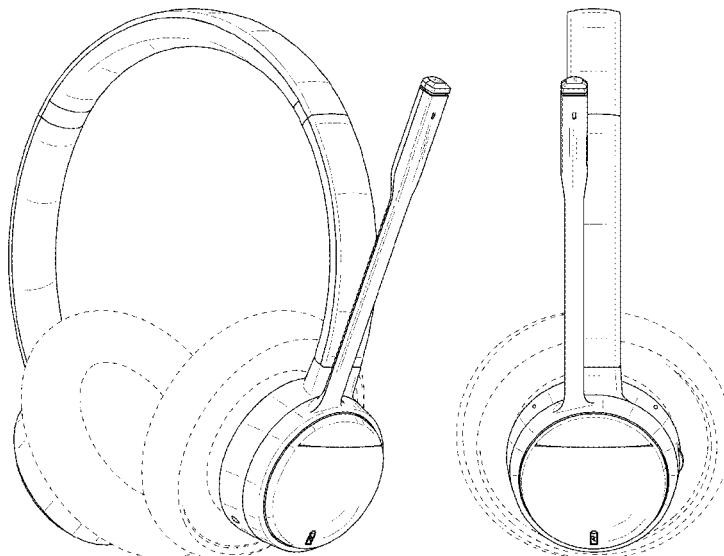
The ornamental design for a headset, as shown and described.

**DESCRIPTION**

FIG. 1 is a front perspective view of a headset showing my new design;  
FIG. 2 is a front view;  
FIG. 3 is a first side view;  
FIG. 4 is a second side view;  
FIG. 5 is a rear view;  
FIG. 6 is a top view; and,  
FIG. 7 is a bottom view.

The broken lines in the Figures depict portions of the headset that form no part of the claimed design.

**1 Claim, 7 Drawing Sheets**



(56)

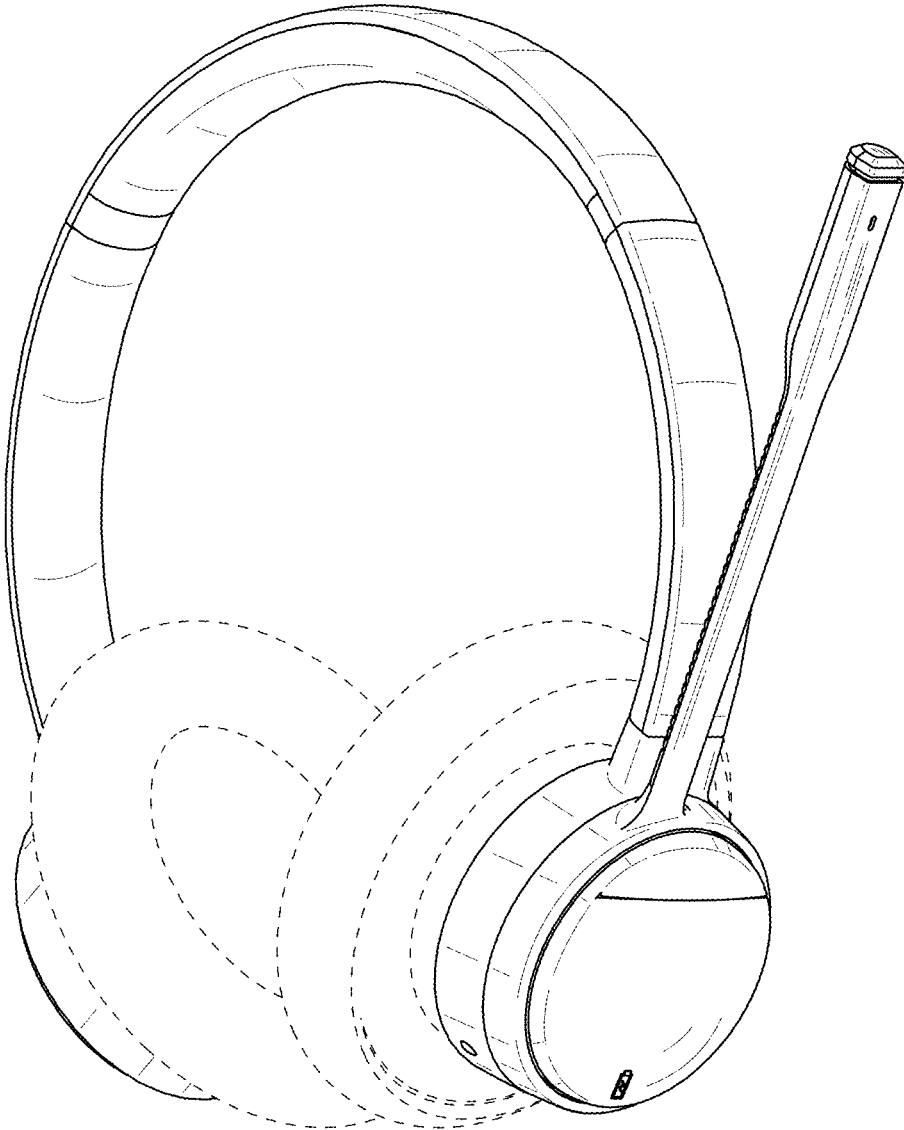
References Cited

U.S. PATENT DOCUMENTS

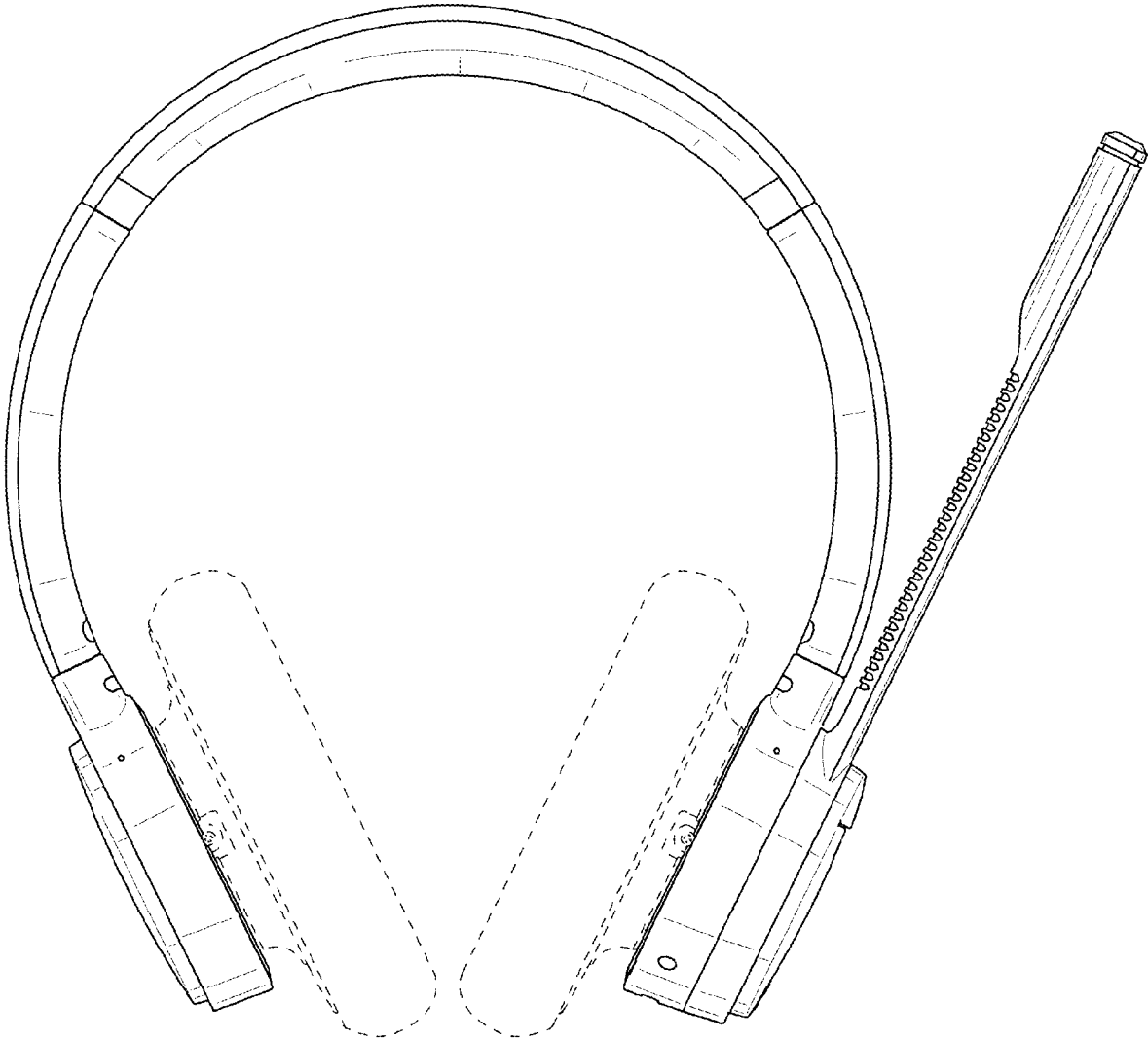
D628,189	S *	11/2010	Rath	.....	D14/206	D866,508	S *	11/2019	Lindof	.....	D14/206
D638,000	S *	5/2011	Hoggarth	.....	D14/206	D866,509	S *	11/2019	Lindof	.....	D14/206
D641,337	S *	7/2011	Brandis	.....	D14/206	D866,510	S *	11/2019	Lindof	.....	D14/206
D643,405	S *	8/2011	Rath	.....	D14/206	D866,513	S *	11/2019	Lindof	.....	D14/206
D645,023	S *	9/2011	Brandis	.....	D14/206	D866,514	S *	11/2019	Lindof	.....	D14/206
D648,330	S *	11/2011	Fischer	.....	D14/226	D875,073	S *	2/2020	Pedersen	.....	D14/206
8,061,473	B1 *	11/2011	Kerr	.....	A61F 11/008 181/135	D893,446	S *	8/2020	Rodriguez	.....	D14/192
D653,649	S *	2/2012	Yang	.....	D14/206	D898,701	S *	10/2020	Zhong	.....	D14/206
D668,240	S *	10/2012	Brandis	.....	D14/206	D926,724	S *	8/2021	D'Ambrosio	.....	D14/205
D673,524	S *	1/2013	Brennwald	.....	D14/206	D927,451	S *	8/2021	Paterson	.....	D14/205
D681,014	S *	4/2013	Ham	.....	D14/223	D927,455	S *	8/2021	Yang	.....	D14/206
D684,145	S *	6/2013	Rath	.....	D14/224	D927,456	S *	8/2021	Paterson	.....	D14/206
D712,875	S *	9/2014	Katori	.....	D14/206	D927,457	S *	8/2021	Su	.....	D14/206
D716,259	S *	10/2014	Awiszus	.....	D14/206	D927,458	S *	8/2021	Su	.....	D14/206
D719,135	S *	12/2014	Kelley	.....	D14/205	D927,459	S *	8/2021	Su	.....	D14/206
D732,002	S *	6/2015	Goransson	.....	D14/206	D928,116	S *	8/2021	Su	.....	D14/206
D760,690	S *	7/2016	Gecawicz	.....	D14/206	2011/0135134	A1 *	6/2011	Essabar	.....	H04R 1/105 381/374
D806,676	S *	1/2018	Fuglsang	.....	D14/206	2012/0163616	A1 *	6/2012	Birch	.....	H04R 1/1066 381/74
D822,638	S *	7/2018	Liu	.....	D14/206	2016/0198254	A1 *	7/2016	Gecawicz	.....	H04R 1/1008 381/375
D851,628	S *	6/2019	Wemblad	.....	D14/206	2020/0288234	A1 *	9/2020	Fletcher	.....	H04R 1/1066

\* cited by examiner

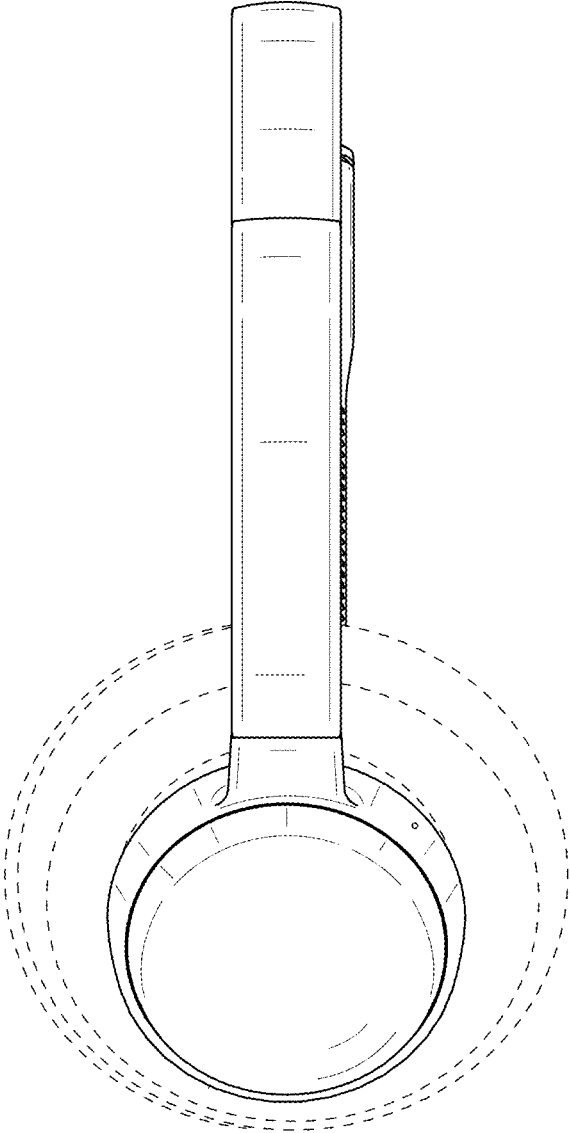
**FIG. 1**



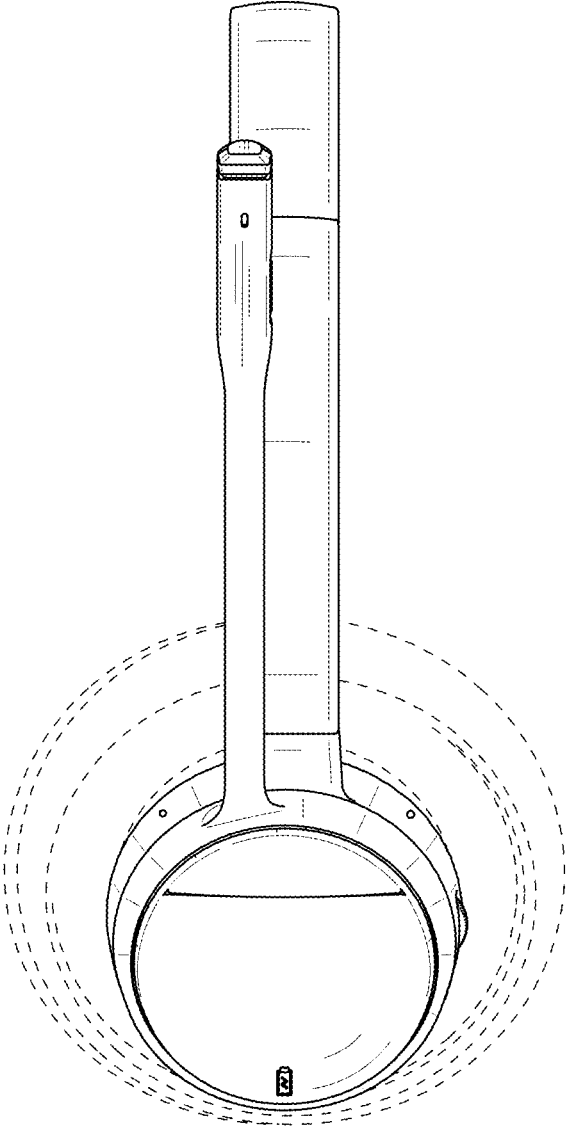
**FIG. 2**



**FIG. 3**



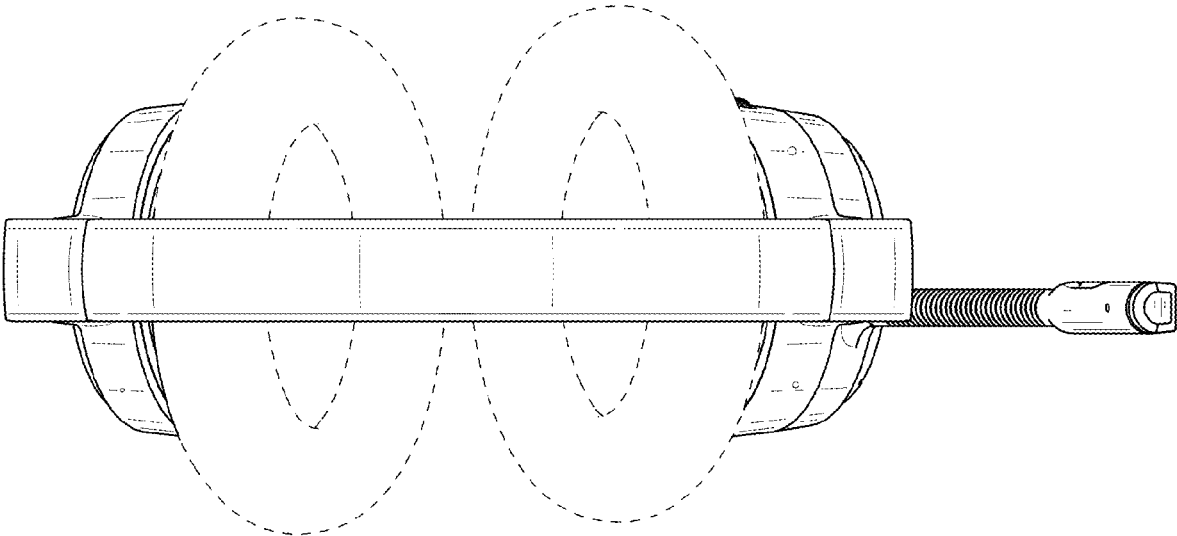
**FIG. 4**



**FIG. 5**



**FIG. 6**





**FIG. 7**

