



US00D727755S

(12) **United States Design Patent**
Laucella

(10) **Patent No.:** **US D727,755 S**

(45) **Date of Patent:** **** Apr. 28, 2015**

(54) **WATCH**

(71) Applicant: **Montres Breguet SA, L'Abbaye (CH)**

(72) Inventor: **Vincent Laucella, Le Brassus (CH)**

(73) Assignee: **Montres Breguet SA, L'Abbaye (CH)**

(**) Term: **14 Years**

(21) Appl. No.: **29/501,939**

(22) Filed: **Sep. 10, 2014**

(30) **Foreign Application Priority Data**

Mar. 10, 2014 (WO) DM/083 067

(51) **LOC (10) Cl.** **10-02**

(52) **U.S. Cl.** **D10/39**

USPC **D10/39**

(58) **Field of Classification Search**

CPC G04B 37/00; G04B 47/04; G04B 45/0076;
G04B 19/06

USPC D10/30-39, 122-132; 368/276, 281,
368/282, 285, 223, 228, 232

See application file for complete search history.

(56) **References Cited**

U.S. PATENT DOCUMENTS

D308,945 S *	7/1990	Bonnet	D10/32
D350,288 S *	9/1994	Giardiello	D10/30
D365,772 S *	1/1996	Wunderman	D10/32
D518,387 S *	4/2006	Roden	D10/31
D551,095 S *	9/2007	Monachon	D10/32
D552,490 S *	10/2007	Laucella	D10/31
D554,535 S *	11/2007	Journe	D10/31
D559,128 S *	1/2008	Laucella	D10/39
D559,130 S *	1/2008	Laucella	D10/39
D559,131 S *	1/2008	Laucella	D10/39
D578,901 S *	10/2008	Laucella	D10/38
D586,240 S *	2/2009	Reginelli	D10/32
D592,980 S *	5/2009	Laucella	D10/39
D593,880 S *	6/2009	Laucella	D10/39
D615,882 S *	5/2010	Laucella	D10/39
D615,883 S *	5/2010	Laucella	D10/39

D616,767 S *	6/2010	Laucella	D10/39
D627,243 S *	11/2010	Deleskiewicz et al.	D10/39
D628,497 S *	12/2010	Laucella	D10/33
D650,711 S *	12/2011	Laucella	D10/39

(Continued)

FOREIGN PATENT DOCUMENTS

WO	DM/066430	*	3/2005
WO	DM/075537	*	3/2011

OTHER PUBLICATIONS

Watches International VI, The Original Annual of the World's Finest Wristwatches, 2005, Tourbillon International, LLC., p. 135, Breguet Classique Tourbillon For Ladies, Ref. 3358BB/52/986 DD00, Breguet watch with faceted stones on bezel and lugs.*

Wristwatch Annual 2007, The Catalog of Producers, Prices, Models, and Specifications, p. 117, Breguet Classique watch, reference 8068 BB 52 964 DD00, Breguet watch with faceted stones on bezel.*

Wristwatch Annual 2008, The Catalog of Producers, Prices, Models and Specifications, p. 137, Breguet Classique watch with calendar window and second hand, reference 5157 BA 12 9V6.*

Primary Examiner — Lucy Lieberman

(74) *Attorney, Agent, or Firm* — Donald J. Ranft; Kristen A. Mogavero; Collen IP

(57) **CLAIM**

The ornamental design for a watch, as shown.

DESCRIPTION

FIG. 1 is a front right perspective view of a watch showing my new design;

FIG. 2 is a rear right perspective view thereof;

FIG. 3 is a front view thereof;

FIG. 4 is a rear view thereof;

FIG. 5 is a left side view thereof;

FIG. 6 is a right side view thereof;

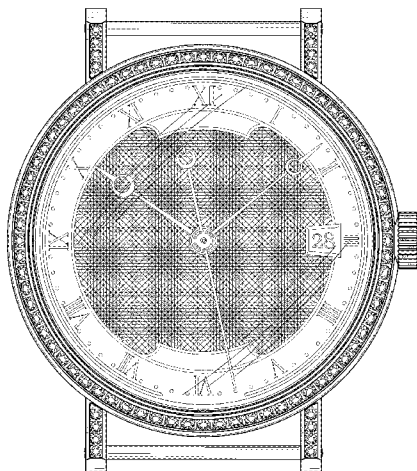
FIG. 7 is a top view thereof;

FIG. 8 is a bottom view thereof;

FIG. 9 is a front left perspective view thereof; and,

FIG. 10 is a rear left perspective view thereof.

1 Claim, 7 Drawing Sheets



US D727,755 S

Page 2

(56)

References Cited

U.S. PATENT DOCUMENTS

D658,513 S * 5/2012 Laucella D10/33
D669,372 S * 10/2012 Laucella D10/39
8,416,645 B2 * 4/2013 Zaugg et al. 368/22

D652,324 S * 1/2012 Laucella D10/33 * cited by examiner

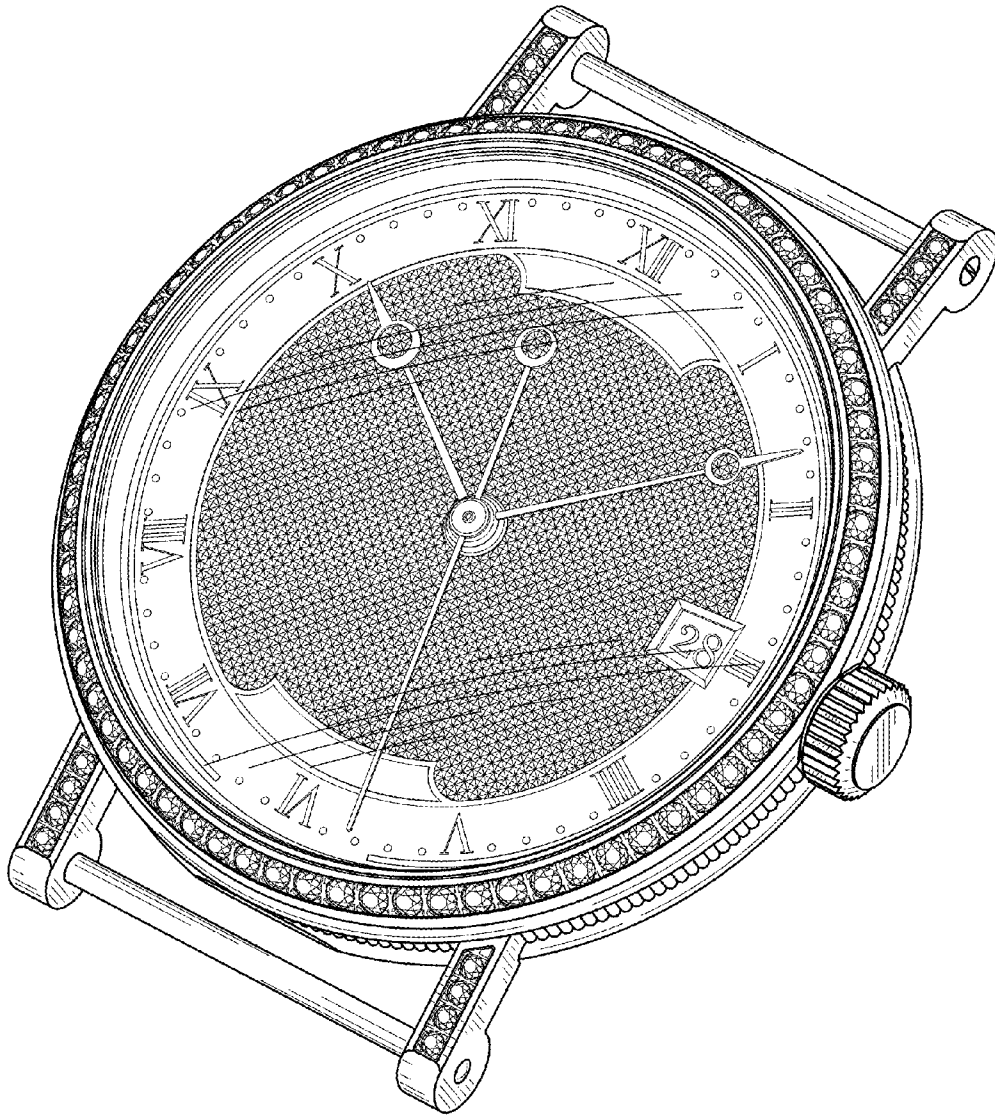


FIG. 1

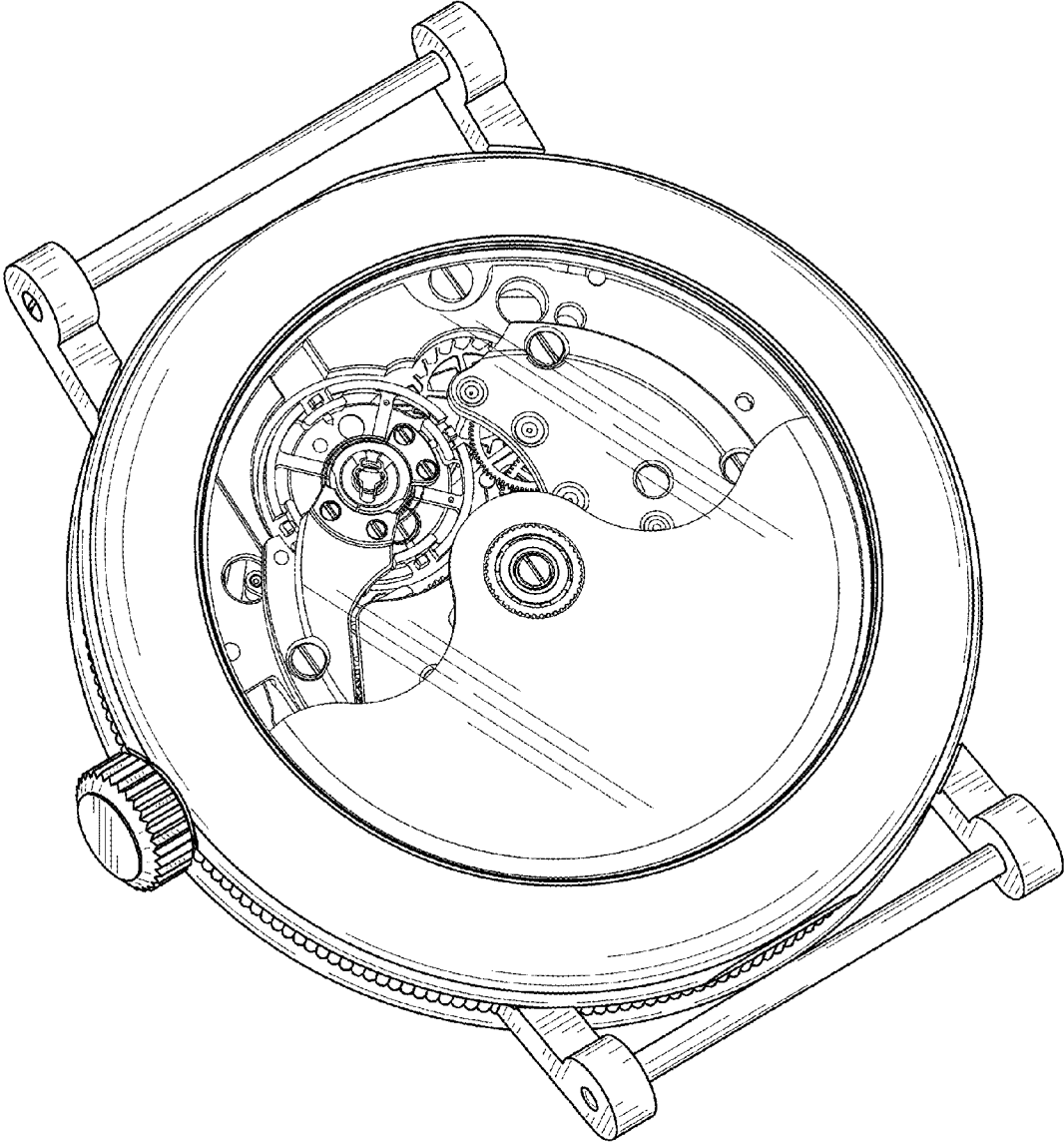


FIG. 2

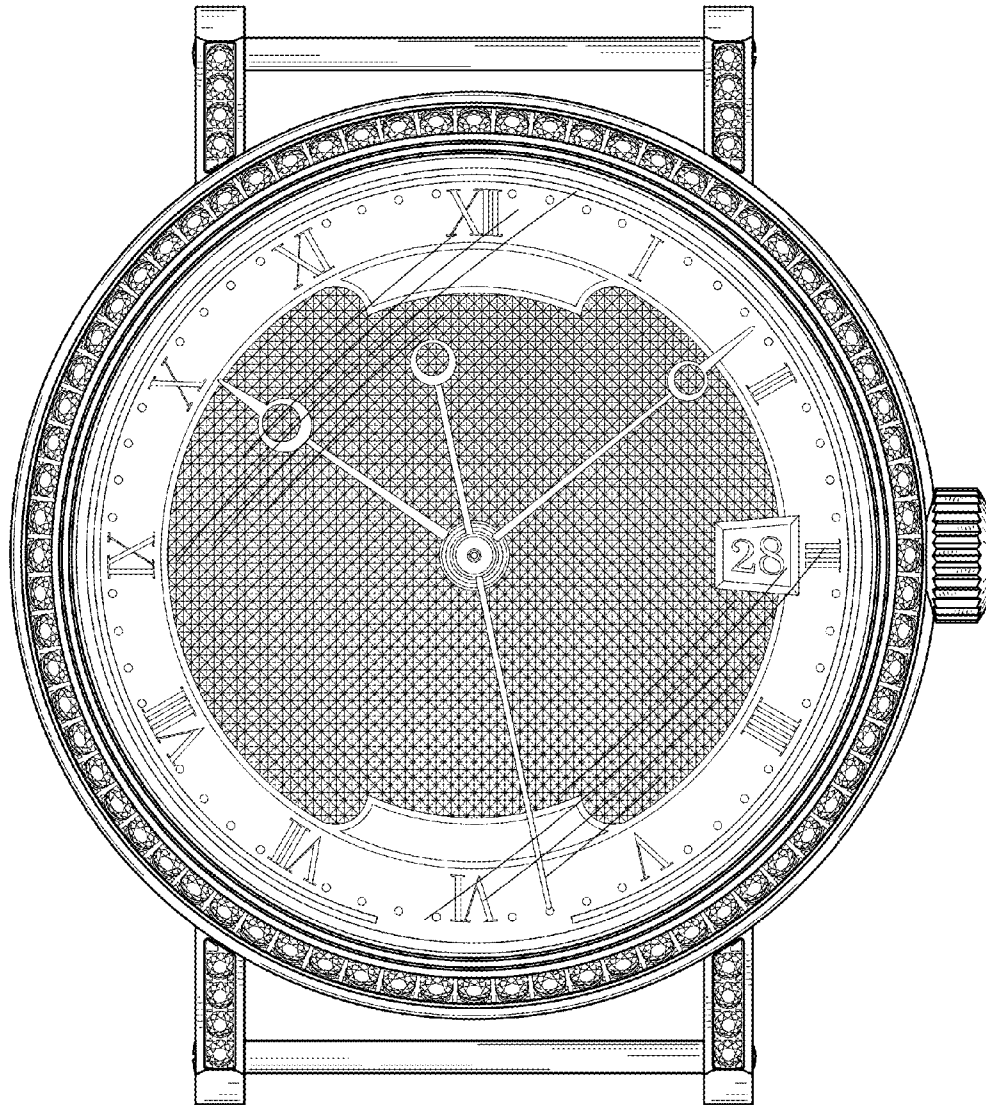


FIG. 3

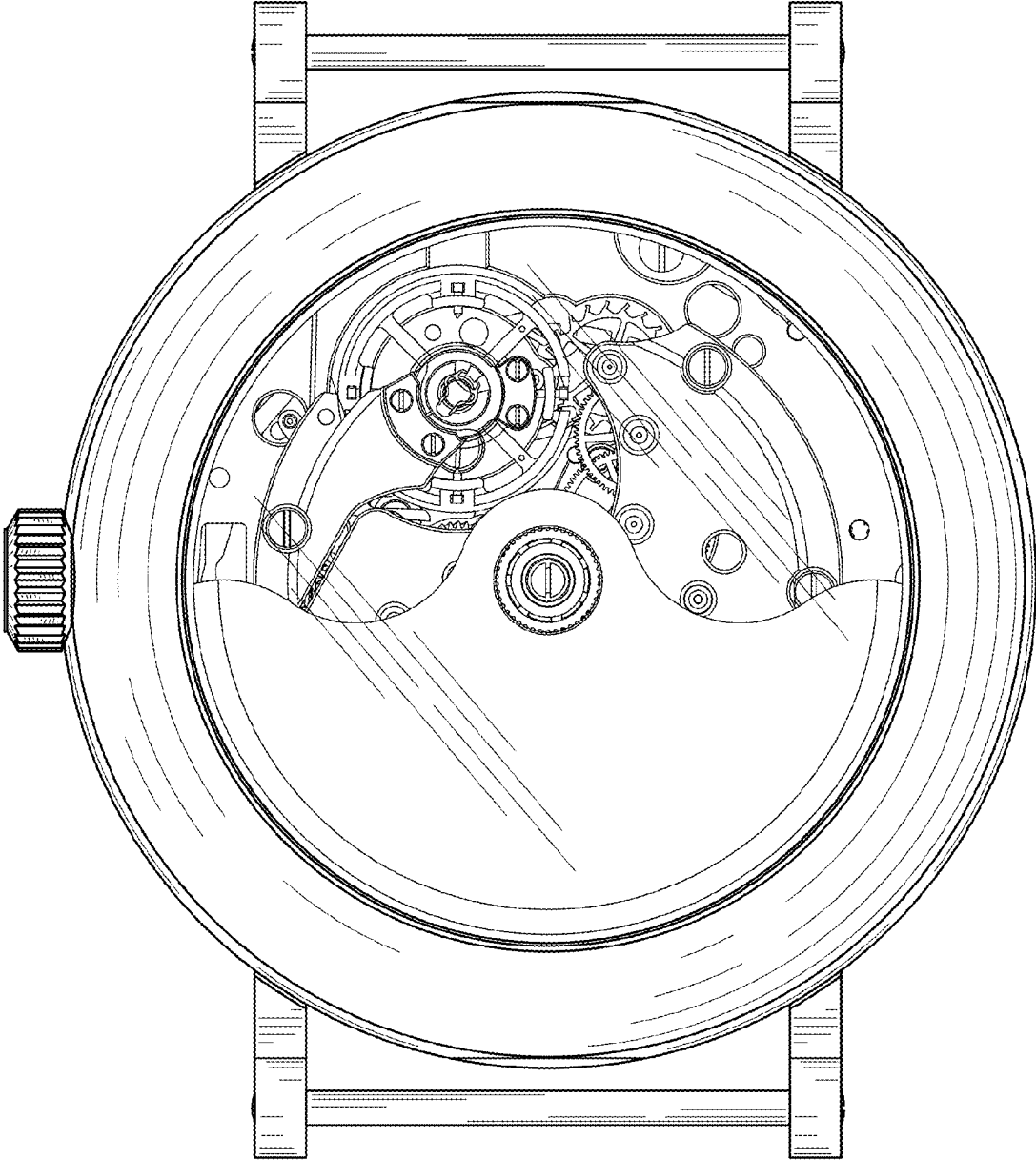


FIG. 4

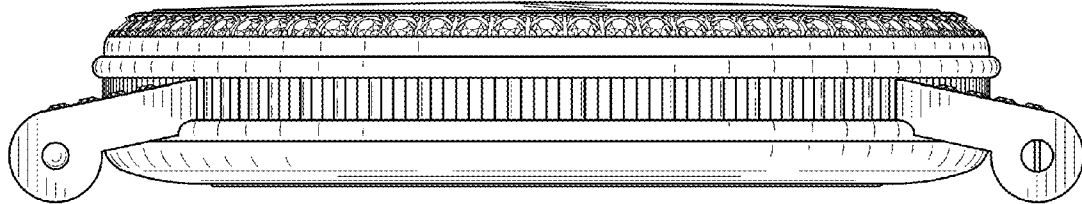


FIG. 5

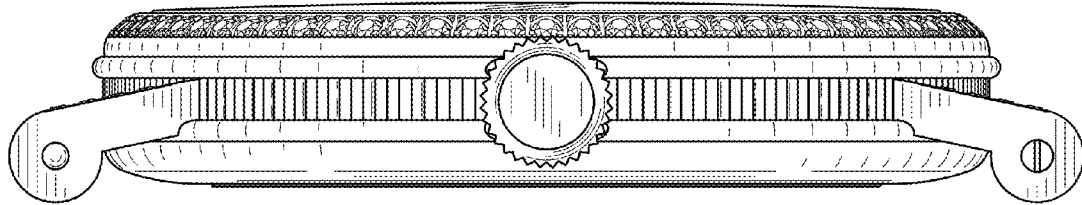


FIG. 6

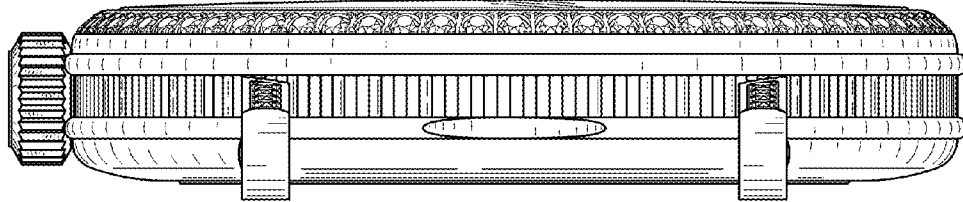


FIG. 7

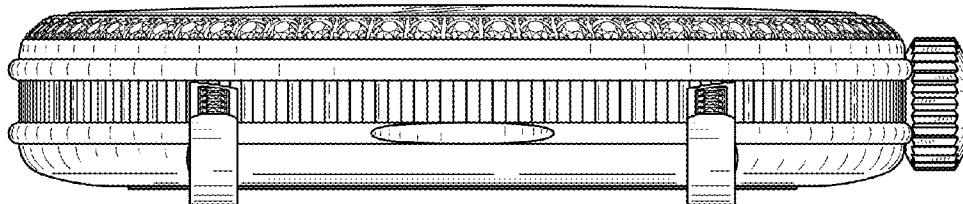


FIG. 8

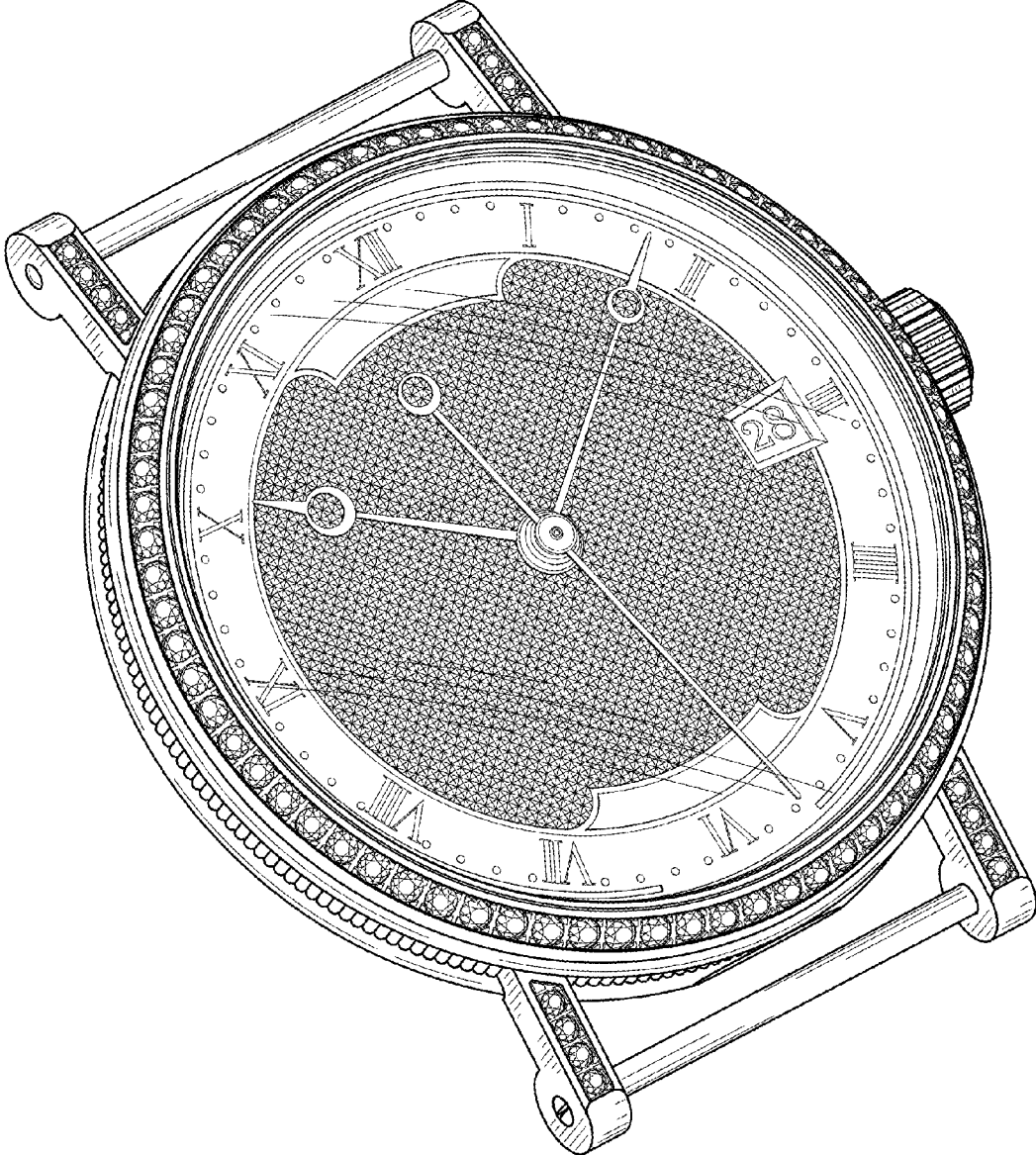


FIG. 9

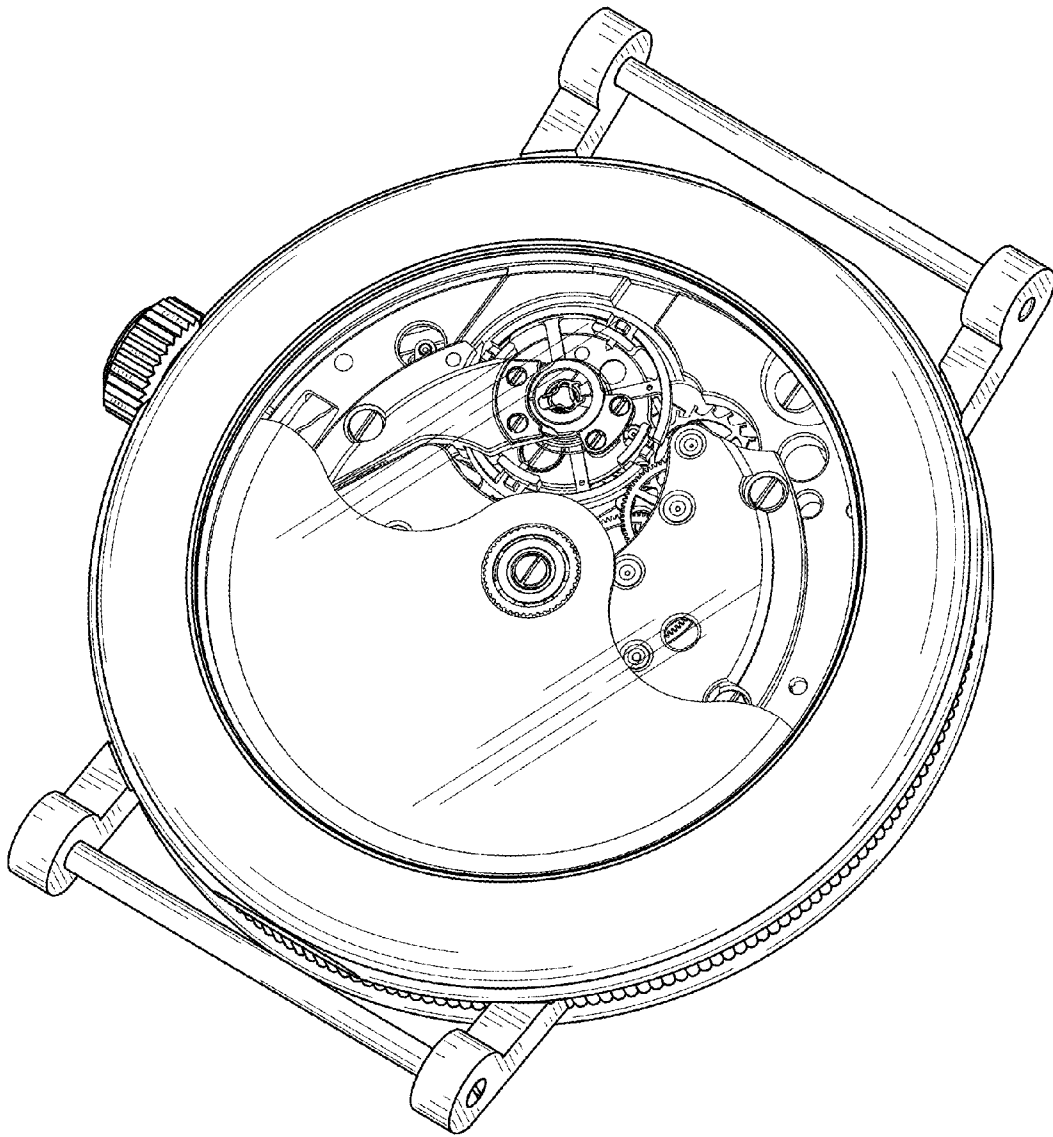


FIG. 10