

[54] CHAIR

[75] Inventor: Roger L. Webb, London, England

[73] Assignee: Antocks Lairn Limited, London, England

[**] Term: 14 Years

[21] Appl. No.: 129,757

[22] Filed: Mar. 12, 1980

[30] Foreign Application Priority Data

Sep. 14, 1979 [GB] United Kingdom 991575

[51] Int. Cl. D6-01

[52] U.S. Cl. D6/71

[58] Field of Search D6/37-39, D6/47-78; 297/440

[56] References Cited

U.S. PATENT DOCUMENTS

D. 110,667	7/1938	Bach	D6/71
D. 234,171	1/1975	Long	D6/71
D. 240,181	7/1976	Fister, Jr.	D6/61
D. 244,814	6/1977	Schoblom	D6/71
D. 248,129	6/1978	Long	D6/37

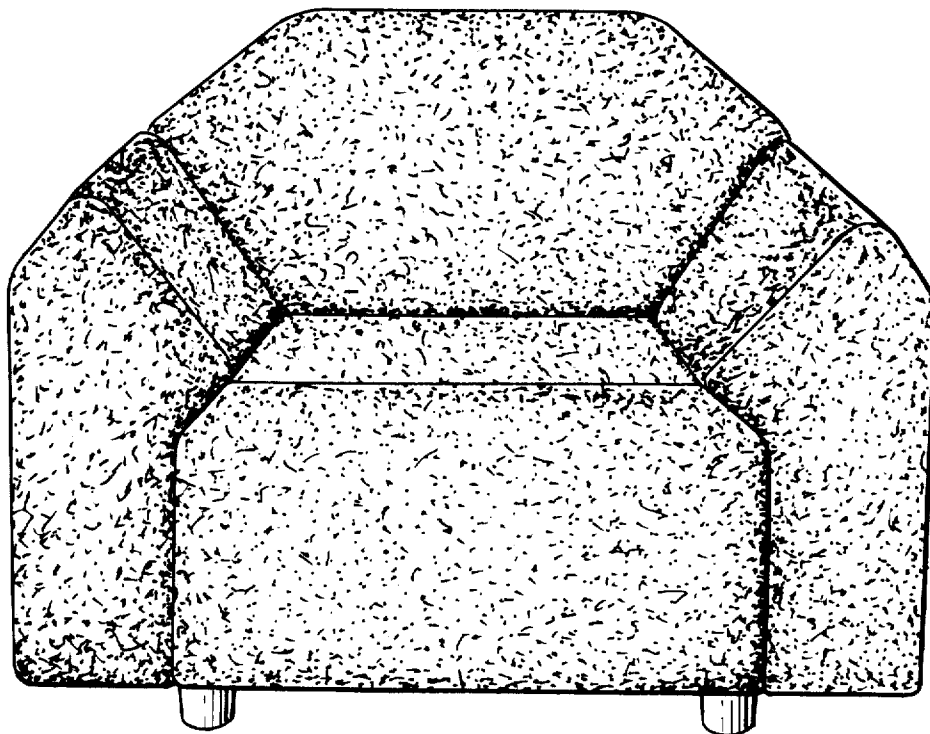
Primary Examiner—Bruce W. Dunkins
Attorney, Agent, or Firm—Cook, Wetzel & Egan, Ltd.

[57] CLAIM

The ornamental design for a chair, substantially as shown and described.

DESCRIPTION

FIG. 1 is a front perspective view of the chair; FIG. 2 is a side perspective view of the chair; FIG. 3 is a perspective view showing the front and side of the chair; FIG. 4 is a perspective view showing the side and rear of the chair.



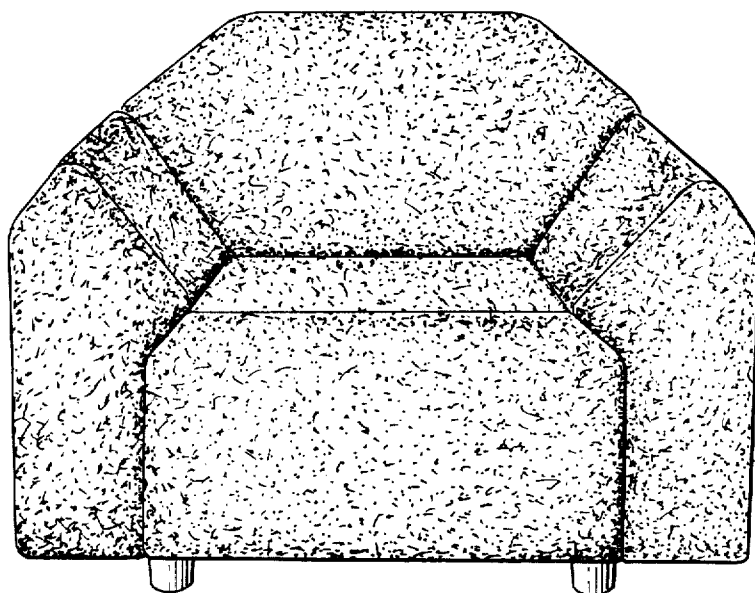


FIG. 1.

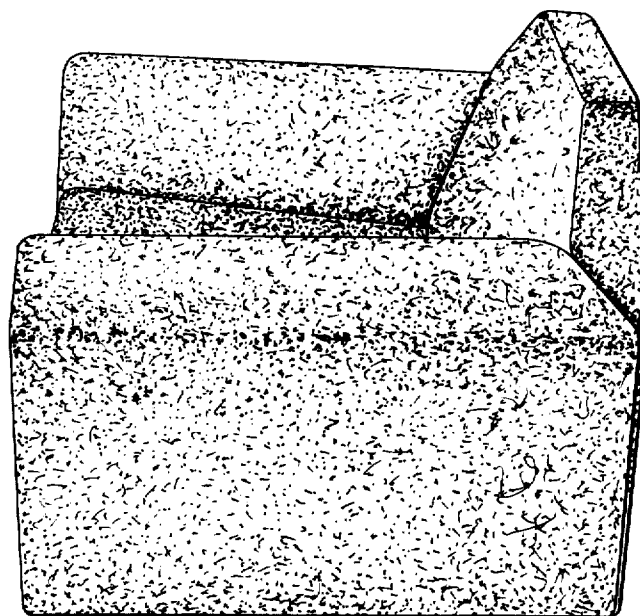


FIG. 2.

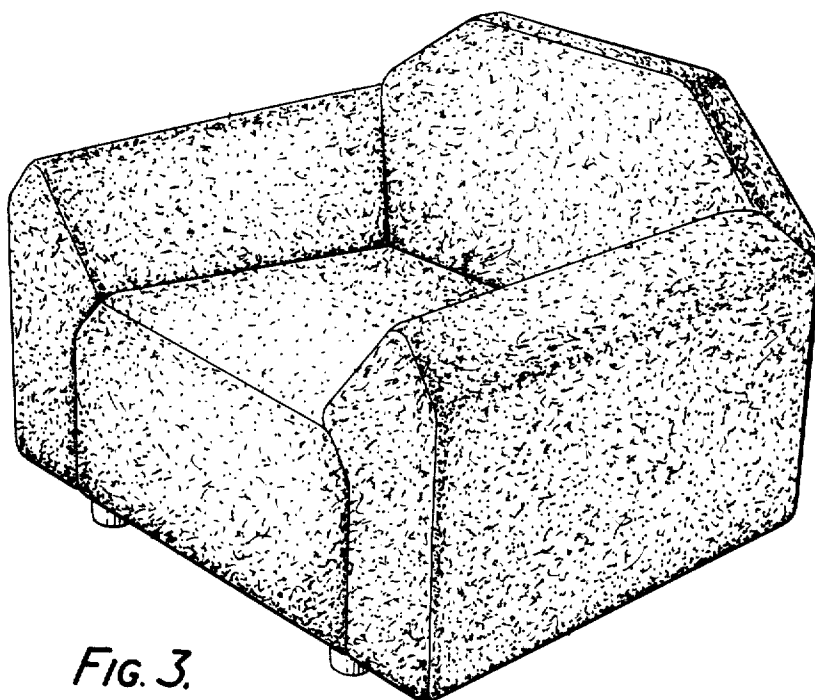


FIG. 3.

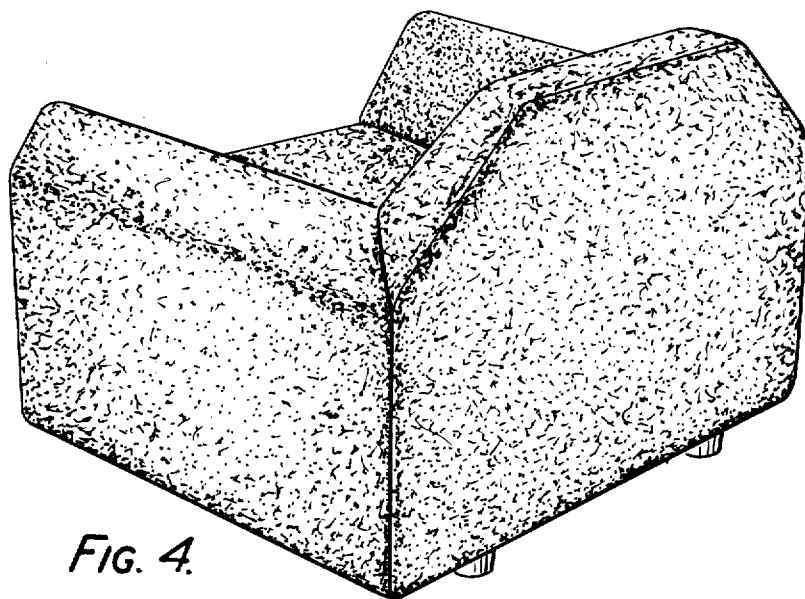


FIG. 4.