



US00D520504S

(12) **United States Design Patent**
Martin

(10) **Patent No.:** **US D520,504 S**

(45) **Date of Patent:** **** May 9, 2006**

(54) **ADJUSTABLE COUNTERTOP MONITOR**

(75) Inventor: **Kim Martin**, Las Vegas, NV (US)

(73) Assignee: **IGT Corporation**, Reno, NV (US)

(**) Term: **14 Years**

(21) Appl. No.: **29/226,117**

(22) Filed: **Mar. 22, 2005**

(51) **LOC (8) Cl.** **14-02**

(52) **U.S. Cl.** **D14/371; D14/305**

(58) **Field of Classification Search** D14/371-375,
D14/125-129, 356; 349/1, 2, 11, 62; 341/12;
345/104, 156, 168, 173, 87, 1.1, 901-905;
348/180, 184, 325, 739; 248/586, 183.3,
248/917-924

See application file for complete search history.

(56) **References Cited**

U.S. PATENT DOCUMENTS

D250,260 S	*	11/1978	Inatomi	D14/443
D290,703 S	*	7/1987	Day et al.	D14/371
5,245,535 A	*	9/1993	Weiss et al.	705/36 R
D353,368 S	*	12/1994	Poulos	D14/305
6,493,216 B1	*	12/2002	Lin	361/681
2003/0058214 A1	*	3/2003	Abboud	345/156
2003/0080949 A1	*	5/2003	Ditzik	345/173

* cited by examiner

Primary Examiner—Freda S. Nunn

(74) *Attorney, Agent, or Firm*—Marger Johnson & McCollom, PC

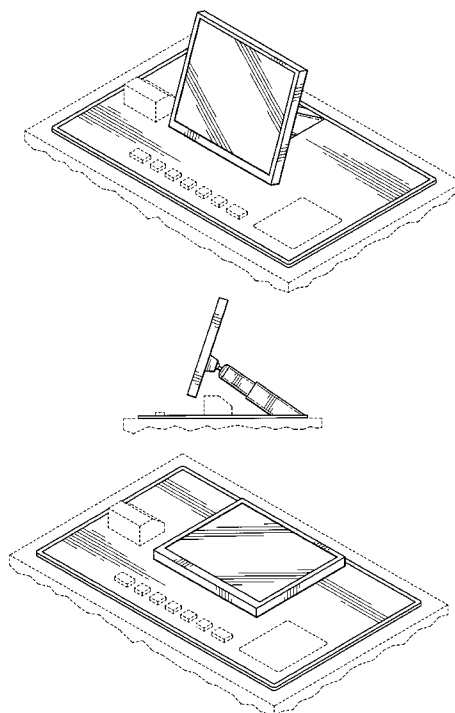
(57) **CLAIM**

The ornamental design for an adjustable countertop monitor, as shown and described.

DESCRIPTION

FIG. 1 is an isometric view of an adjustable countertop monitor showing my new design with a card or money reader, coin or token tray, buttons and monitor base being shown in dashed lines and are not part of the claimed design; FIG. 2 is a top plan view of the design of FIG. 1; FIG. 3 is a front elevational view of the design of FIG. 1; FIG. 4 is a rear elevational view of the design of FIG. 1; FIG. 5 is a side elevational view of the design of FIG. 1; FIG. 6 is an alternate isometric view thereof with a card or money reader, coin or token tray, buttons and monitor base being shown in dashed lines and are not part of the claimed design; FIG. 7 is a top plan view of the view of the design of FIG. 6; FIG. 8 is a front elevational view of the design of FIG. 6; FIG. 9 is a rear elevational view of the design of FIG. 6; FIG. 10 is a side elevational view of the design of FIG. 6; FIG. 11 is an alternate isometric view thereof with a card or money reader, coin or token tray, buttons and monitor base being shown in dashed lines and are not part of the claimed design; FIG. 12 is a top plan view of the view of the design of FIG. 11; FIG. 13 is a front elevational view of the design of FIG. 11; FIG. 14 is a rear elevational view of the design of FIG. 11; and, FIG. 15 is a side elevational view of the design of FIG. 11.

1 Claim, 8 Drawing Sheets



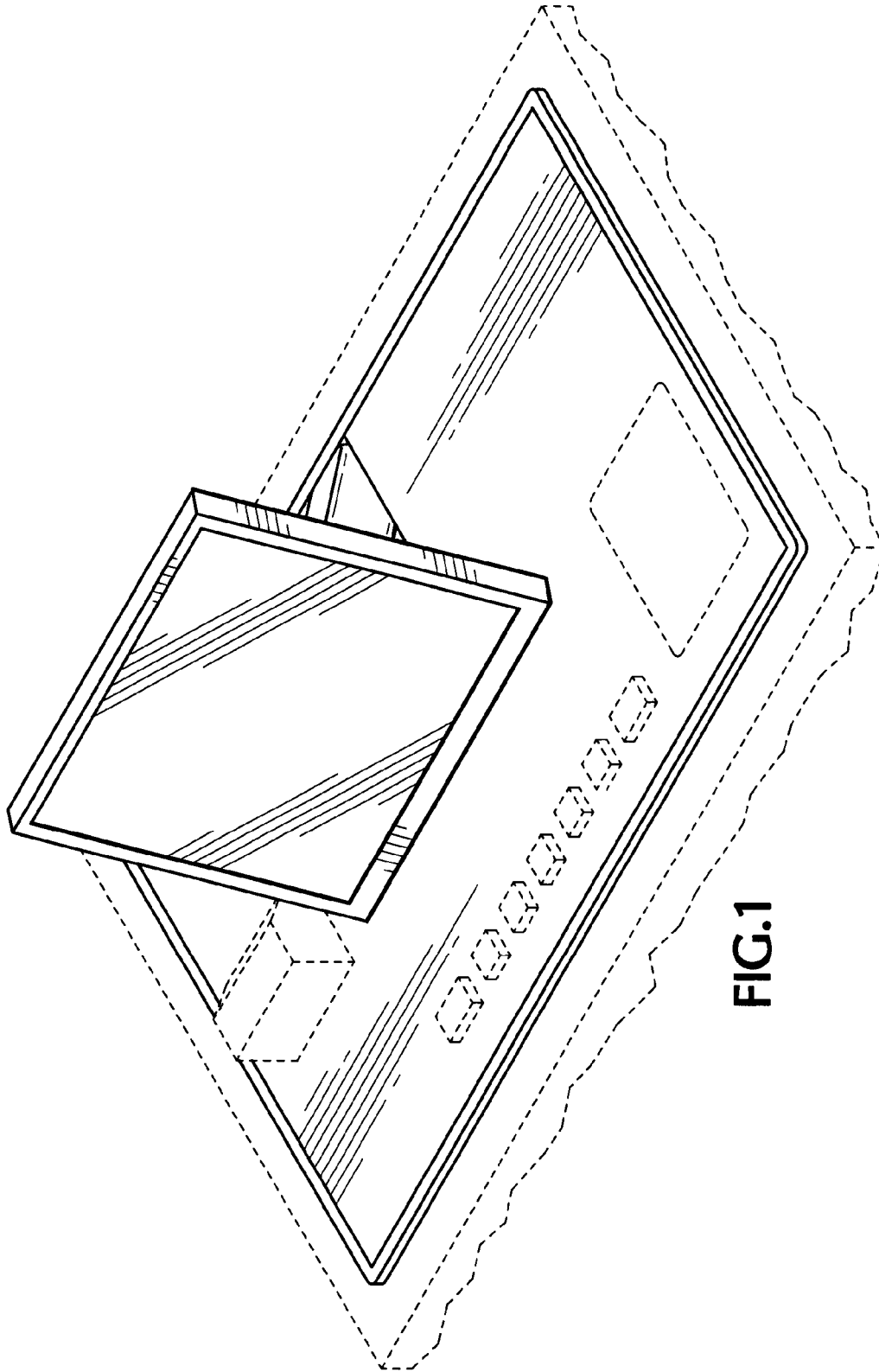


FIG.1

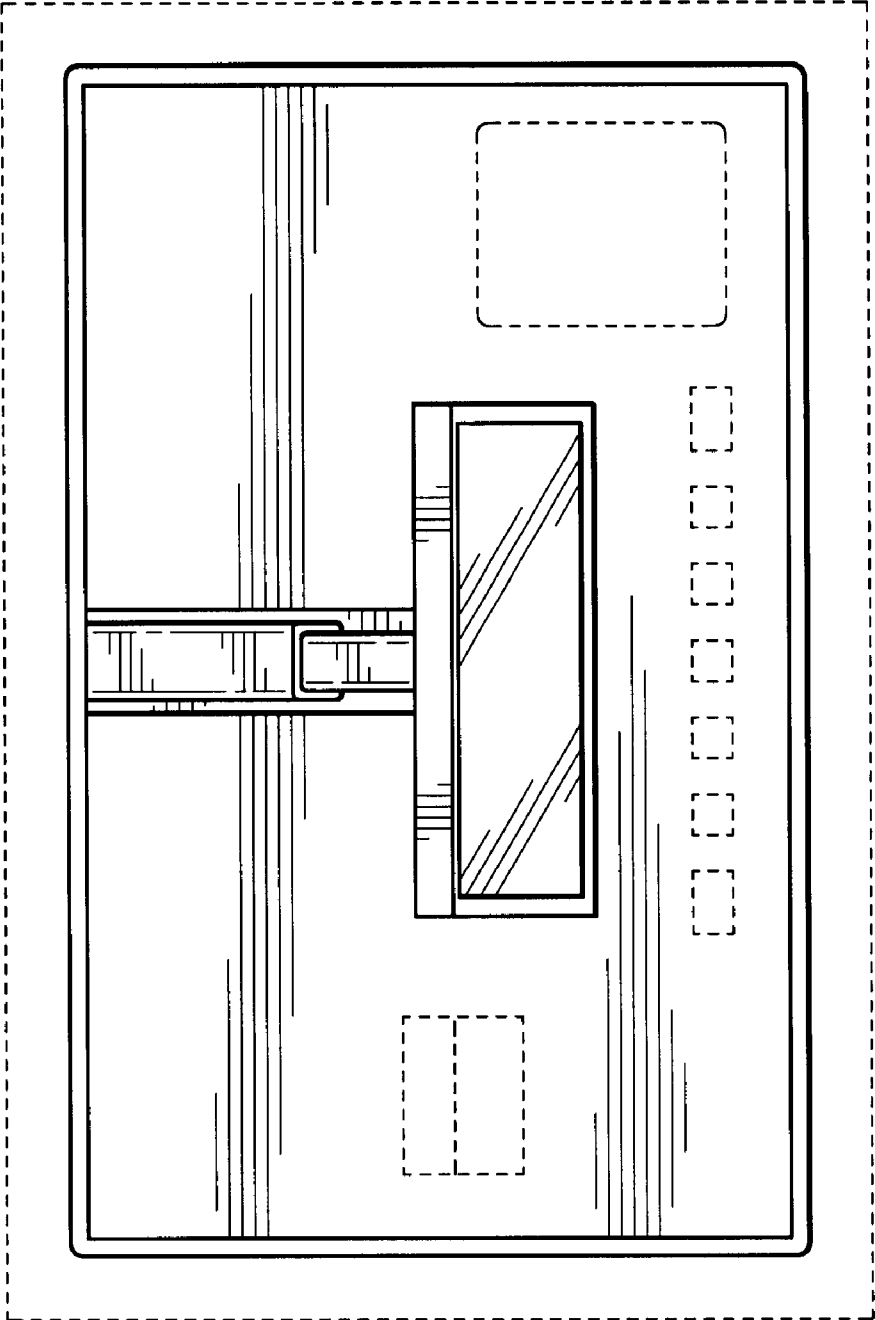


FIG.2

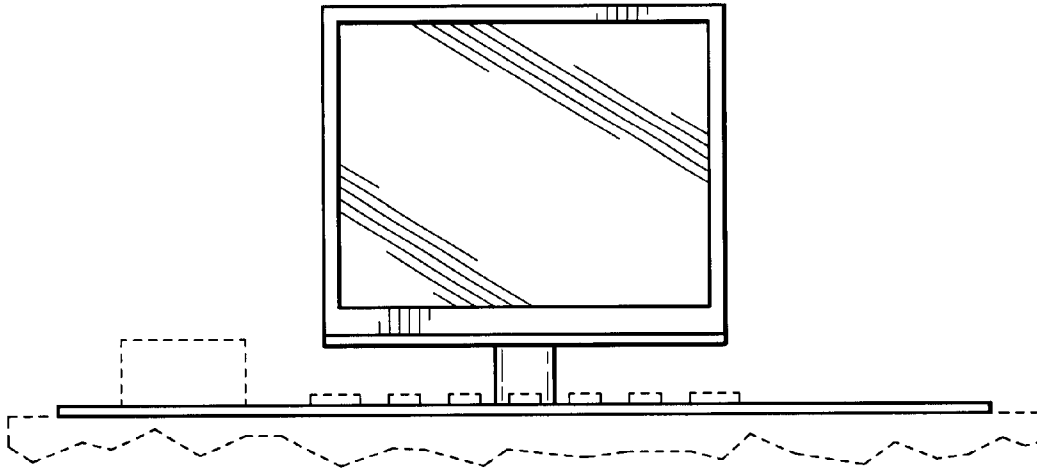


FIG. 3

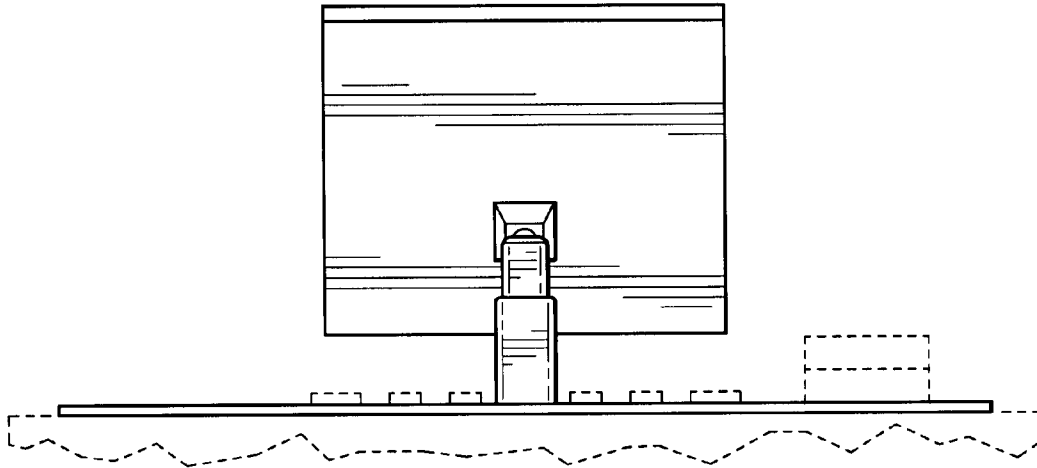


FIG. 4

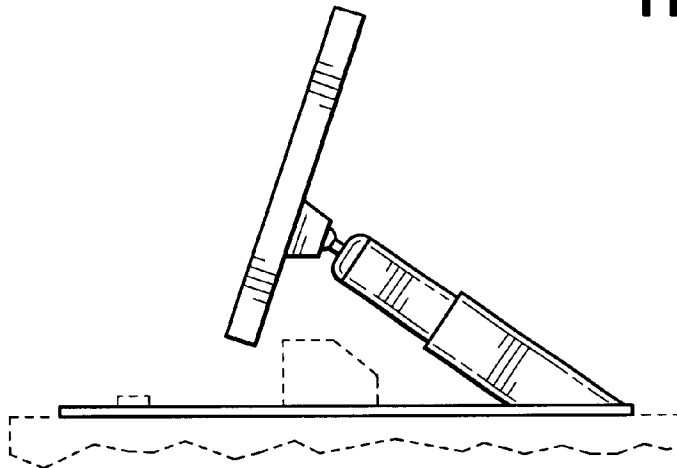


FIG. 5

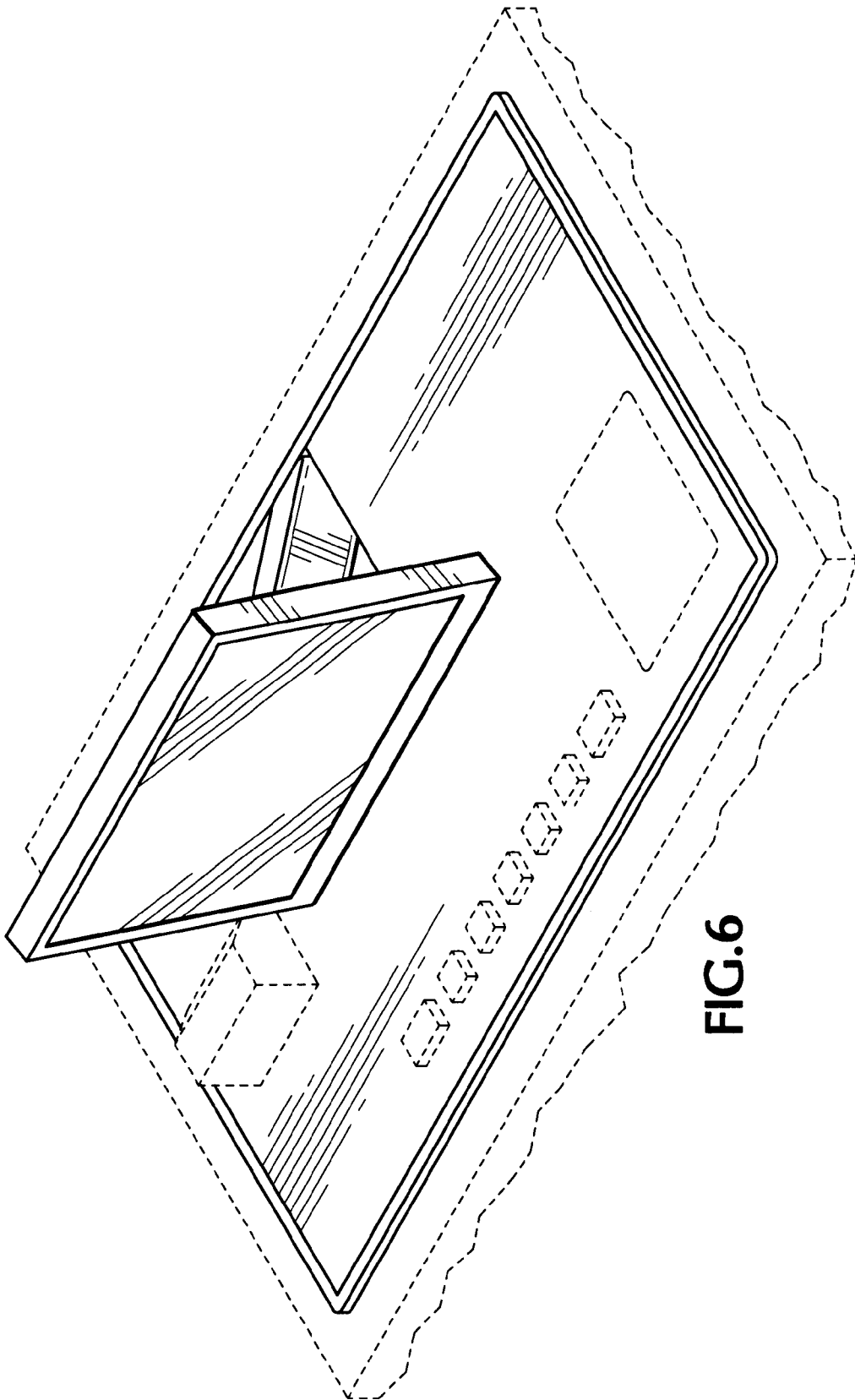


FIG.6

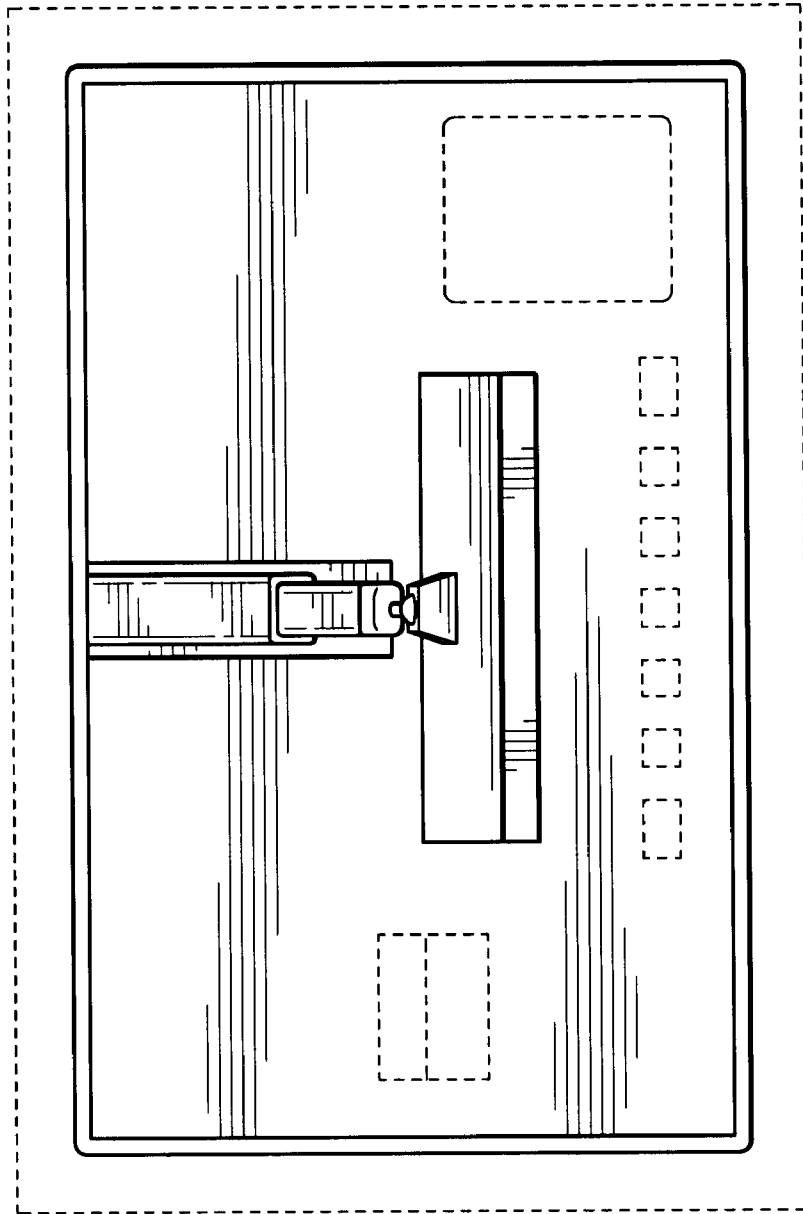


FIG.7

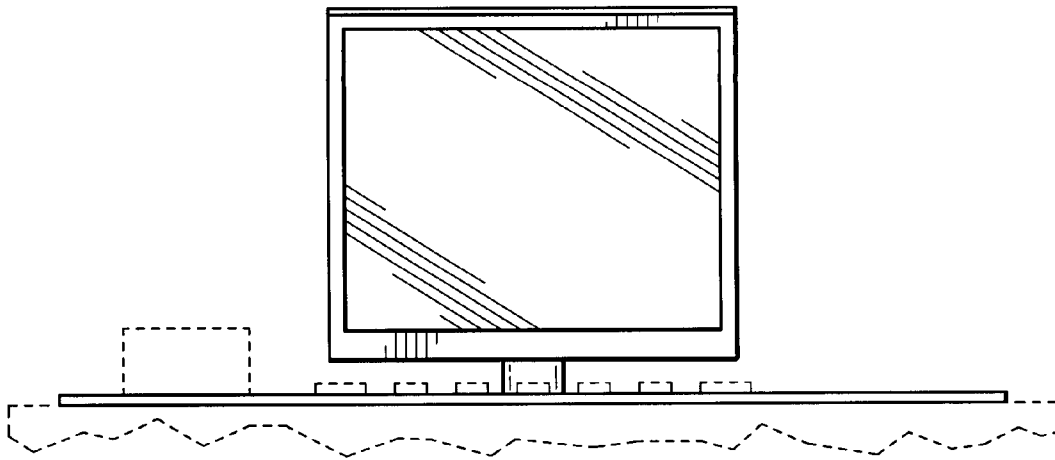


FIG. 8

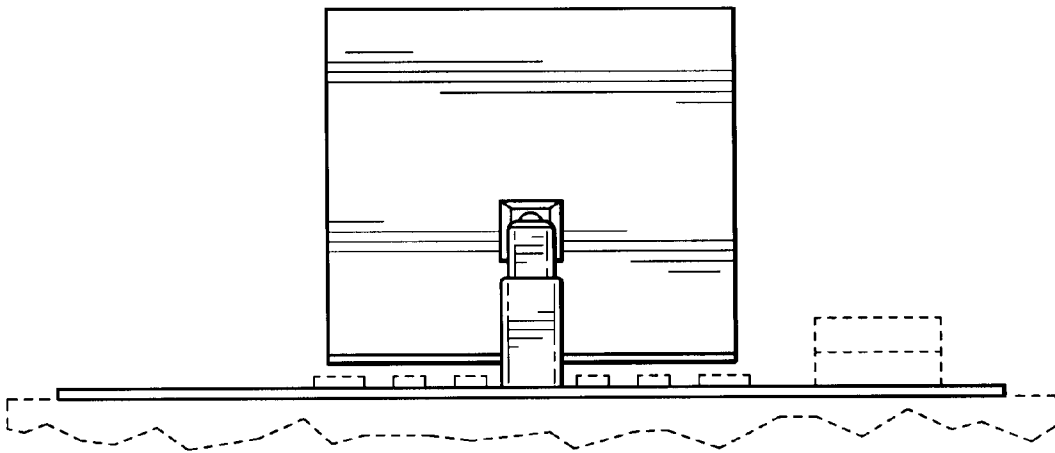


FIG. 9

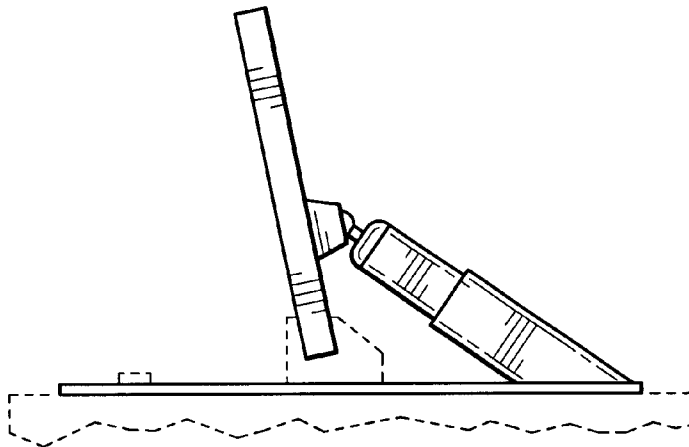


FIG. 10

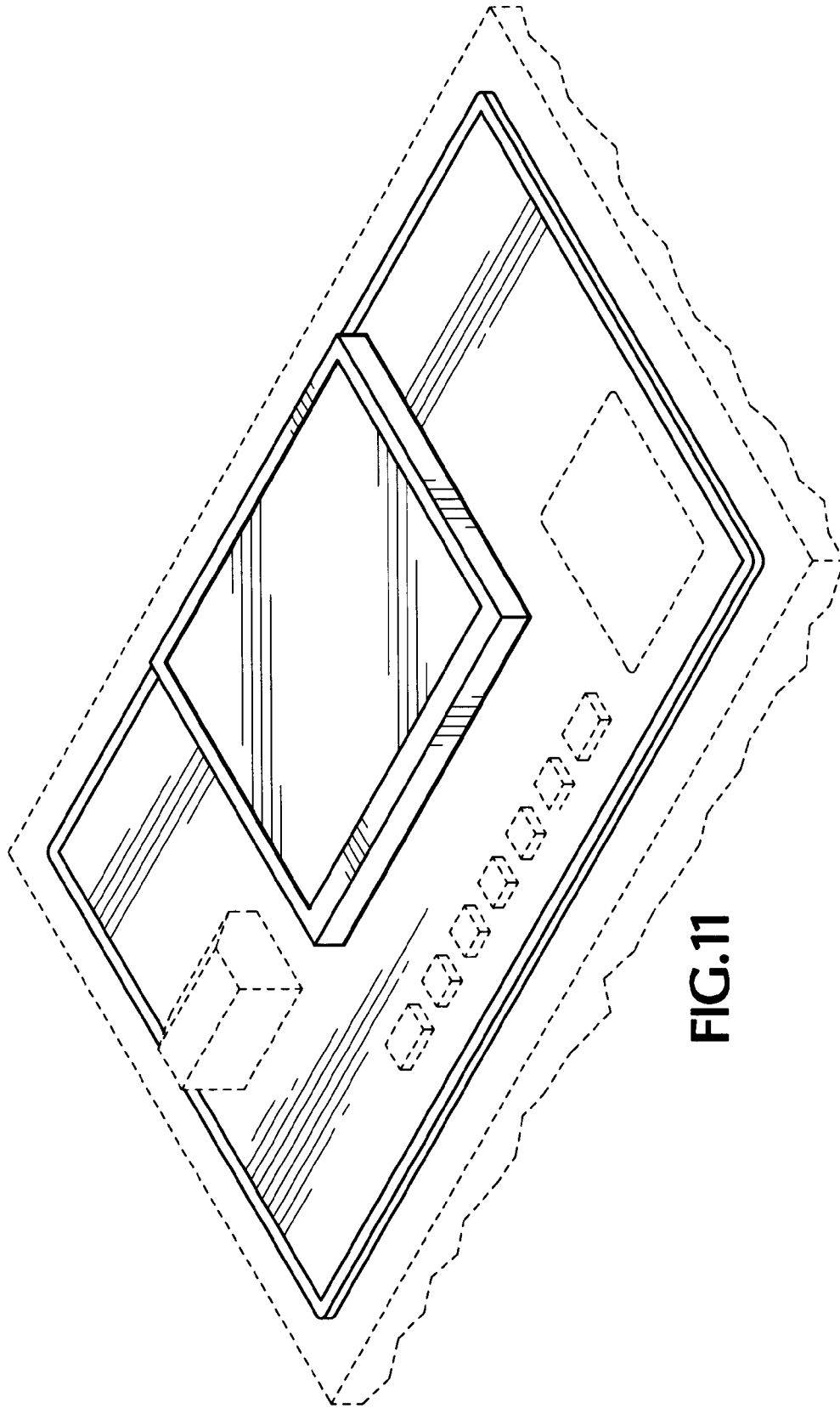


FIG.11

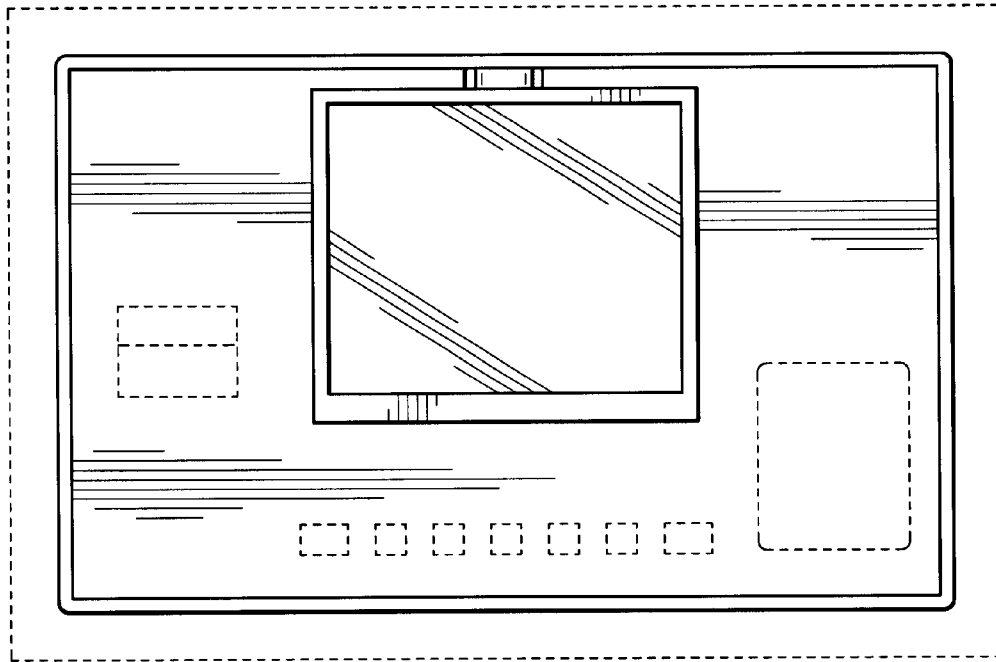


FIG. 12

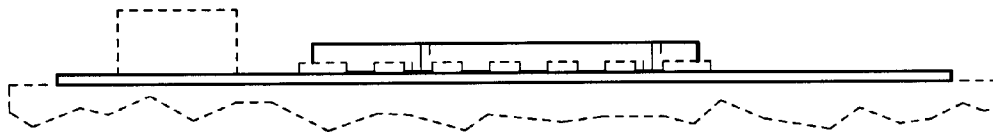


FIG. 13

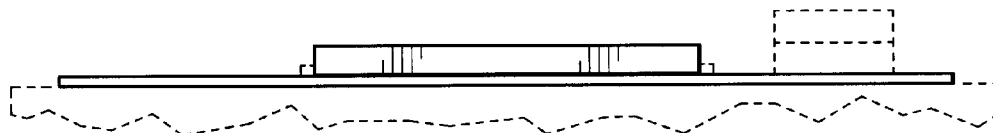


FIG. 14

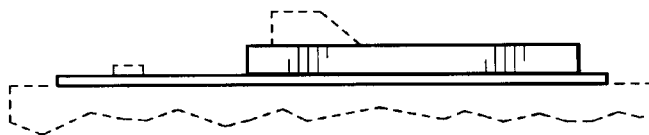


FIG. 15