



(12) **United States Design Patent**
Li et al.

(10) **Patent No.:** **US D999,360 S**
(45) **Date of Patent:** **** Sep. 19, 2023**

(54) **PORTABLE FAN**
(71) Applicant: **Shenzhen Jisu Technology Co., Ltd,**
Shenzhen (CN)
(72) Inventors: **Xiangfu Li,** Shenzhen (CN); **Cheng Ye,**
Shenzhen (CN); **Guanzheng Zheng,**
Shenzhen (CN)
(73) Assignee: **SHENZHEN JISU TECHNOLOGY**
CO., LTD, Shenzhen (CN)
(**) Term: **15 Years**
(21) Appl. No.: **29/823,604**
(22) Filed: **Jan. 19, 2022**
(51) **LOC (14) Cl.** **23-04**
(52) **U.S. Cl.**
USPC **D23/370**
(58) **Field of Classification Search**
USPC D23/314, 335, 328, 332, 370–379,
D23/381–385, 411–414, 360
CPC . F04D 5/00; F04D 27/00; F04D 25/10; F04D
29/64; F04D 19/00; F24H 3/04; B65D
71/00
See application file for complete search history.

D782,021 S * 3/2017 Poulton D23/370
D782,640 S * 3/2017 Poulton D23/370
D818,567 S * 5/2018 Burnett D23/332
(Continued)

OTHER PUBLICATIONS

Jisulife Mini Fan Battery Operated Handheld Fan, Jun. 1, 2022,
amazon.ca, Jul. 11, 2023, URL: <https://www.amazon.ca/dp/B08X6FWK34/> (Year: 2021).*
(Continued)

Primary Examiner — Keith J Wilson

(57) **CLAIM**

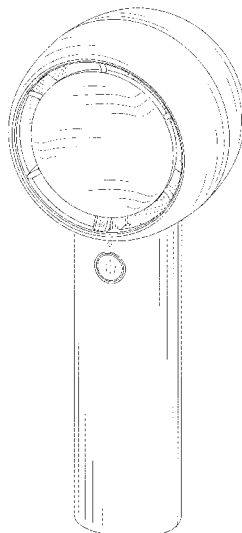
The ornamental design for a portable fan, as shown and described.

DESCRIPTION

FIG. 1 is a perspective view of a portable fan according to an embodiment of our design;
FIG. 2 is another perspective view thereof;
FIG. 3 is a front elevational view thereof;
FIG. 4 is a rear elevational view thereof;
FIG. 5 is a left side elevational view thereof;
FIG. 6 is a right side elevational view thereof;
FIG. 7 is a top plan view thereof;
FIG. 8 is a bottom plan view thereof;
FIG. 9 is a perspective view of a portable fan according to another embodiment of our design;
FIG. 10 is another perspective view thereof;
FIG. 11 is a front elevational view thereof;
FIG. 12 is a rear elevational view thereof;
FIG. 13 is a left side elevational view thereof;
FIG. 14 is a right side elevational view thereof;
FIG. 15 is a top plan view thereof; and,
FIG. 16 is a bottom plan view thereof.
The broken lines in the drawings depict portions of the portable fan that form no part of the claimed design.

1 Claim, 16 Drawing Sheets

(56) **References Cited**
U.S. PATENT DOCUMENTS
D257,491 S * 11/1980 Cousins D23/370
D384,144 S * 9/1997 DuBois D23/370
D529,166 S * 9/2006 Geringer D23/379
D602,143 S * 10/2009 Gammack F04D 25/08
D23/370
D672,024 S * 12/2012 Fitton D23/370
D674,476 S * 1/2013 Junkel D23/370
D678,993 S * 3/2013 Kung-Hua D23/370
D703,304 S * 4/2014 Herbst D23/379
D729,373 S * 5/2015 Dos Reis D23/370
D729,374 S * 5/2015 Dos Reis D23/370
D729,375 S * 5/2015 Dos Reis D23/370
D782,020 S * 3/2017 Poulton D23/370



(56)

References Cited

U.S. PATENT DOCUMENTS

D824,012	S *	7/2018	Xu	D6/309
D827,121	S *	8/2018	Wang	D23/378
D879,283	S *	3/2020	Liao	D23/382
D881,371	S *	4/2020	Hollinger	D23/382
D885,554	S *	5/2020	Puglia, Sr.	D23/379
D898,180	S *	10/2020	Du	D23/382
D907,187	S *	1/2021	Li	D23/382
D940,295	S *	1/2022	Li	D23/382
D952,117	S *	5/2022	Gao	D23/370
D952,118	S *	5/2022	Gao	D23/370
D953,516	S *	5/2022	Chen	D23/382
D954,247	S *	6/2022	Zhao	D23/370
D963,832	S *	9/2022	Yang	D23/382
D965,133	S *	9/2022	Wei	D23/370
D985,106	S *	5/2023	Tang	D23/332
D986,401	S *	5/2023	Chen	D23/382
2010/0254800	A1 *	10/2010	Fitton	F04D 33/00 415/90
2013/0129490	A1 *	5/2013	Dos Reis	F24F 7/007 415/182.1
2014/0178209	A1 *	6/2014	Smith	G08C 23/04 417/44.1
2021/0079931	A1 *	3/2021	Hu	F04D 27/00

OTHER PUBLICATIONS

Jisulife Handheld Turbo Fan, Jun. 1, 2022, amazon.ca, Jul. 11, 2023,
 URL: <https://www.amazon.ca/JISULIFE-Handheld-Portable-Rechargeable-Personal/dp/B09YCK9HVD/> (Year: 2022).*

* cited by examiner

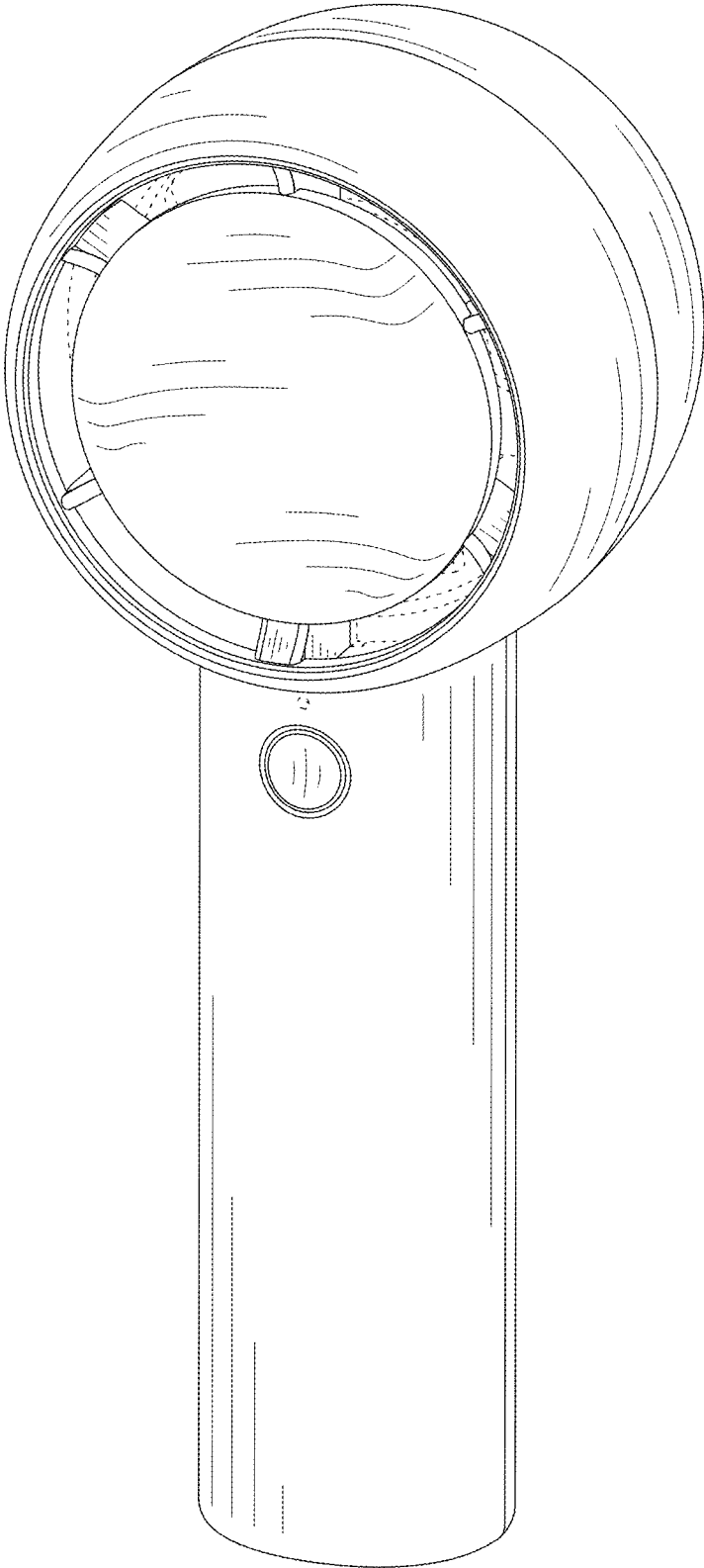


FIG. 1

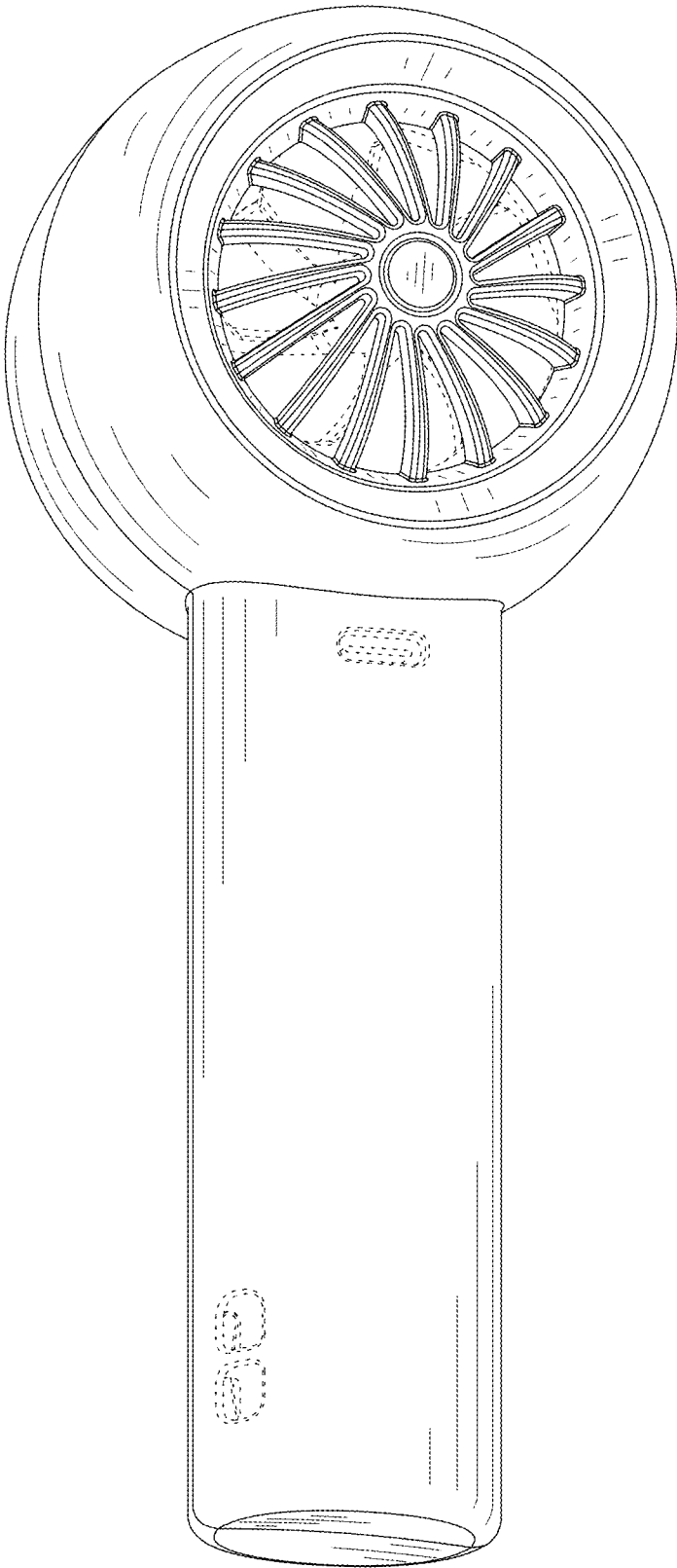


FIG. 2

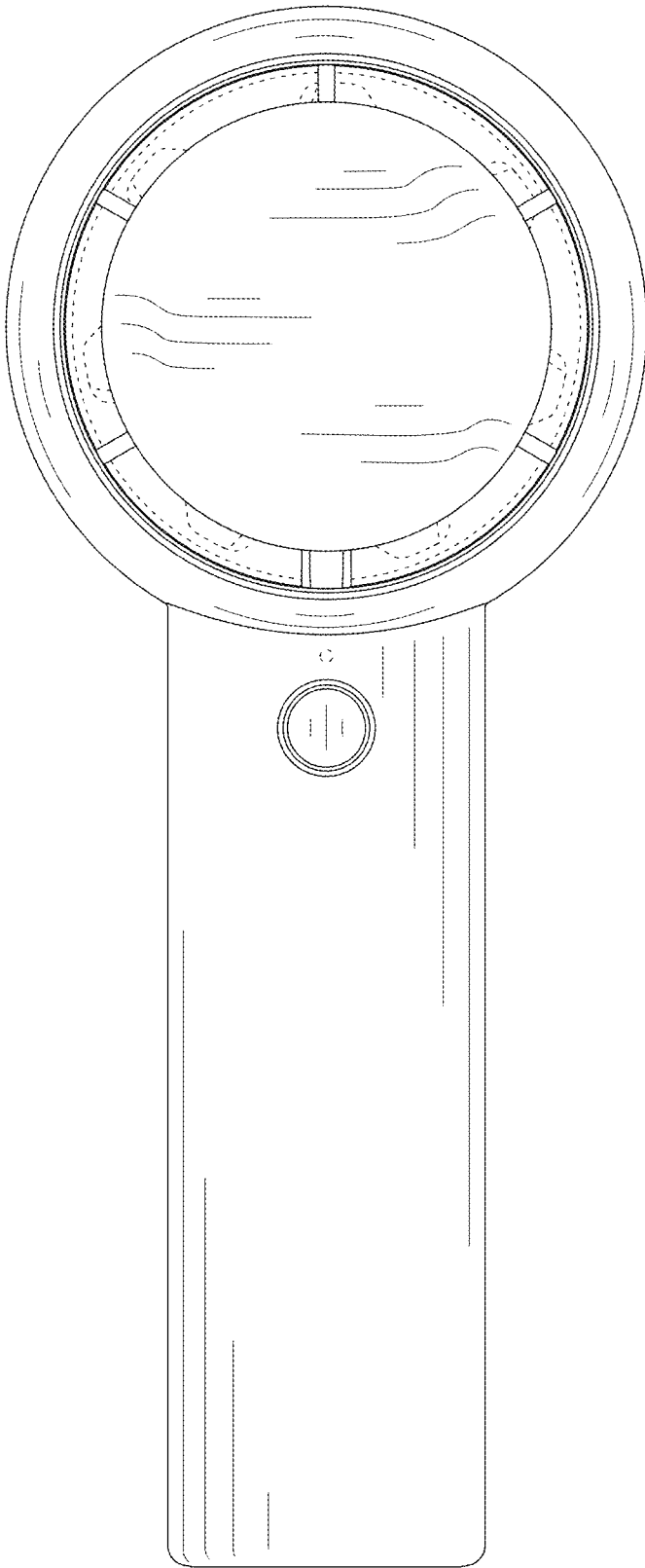


FIG. 3

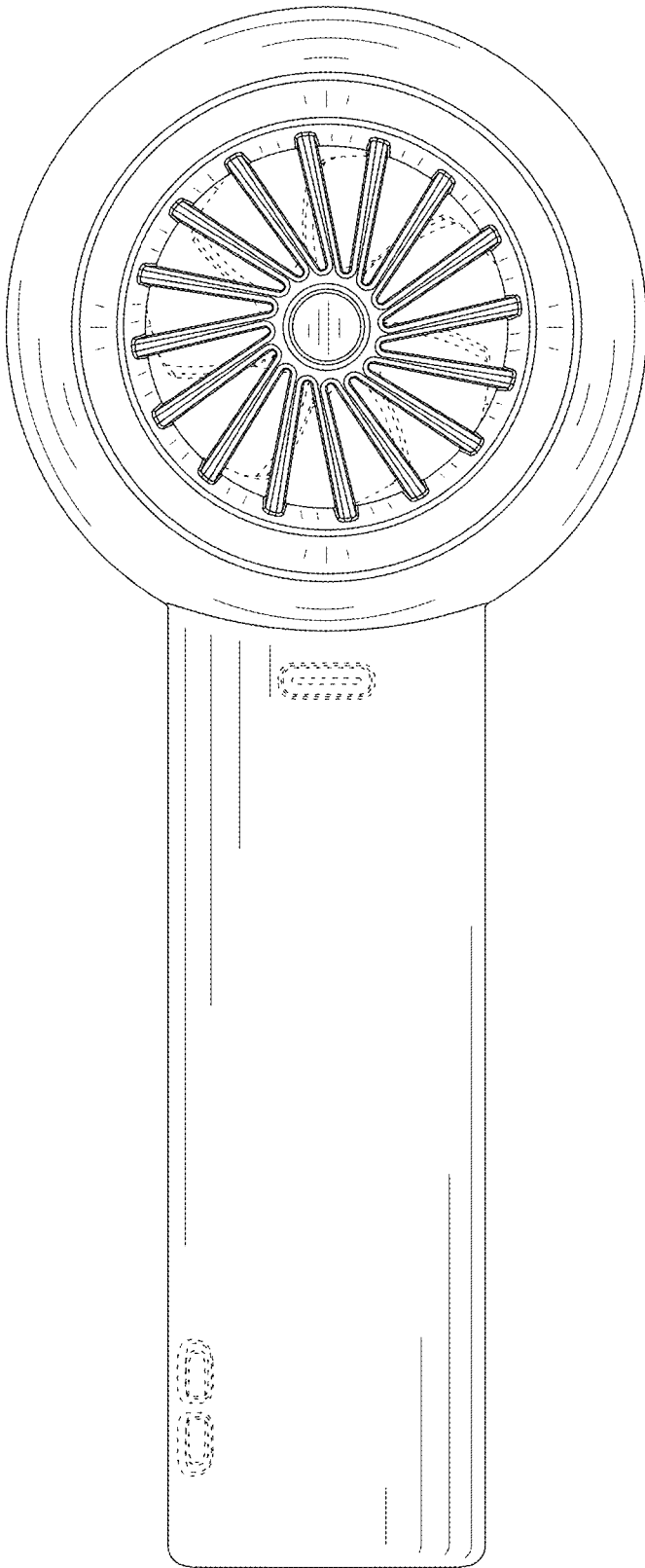


FIG. 4

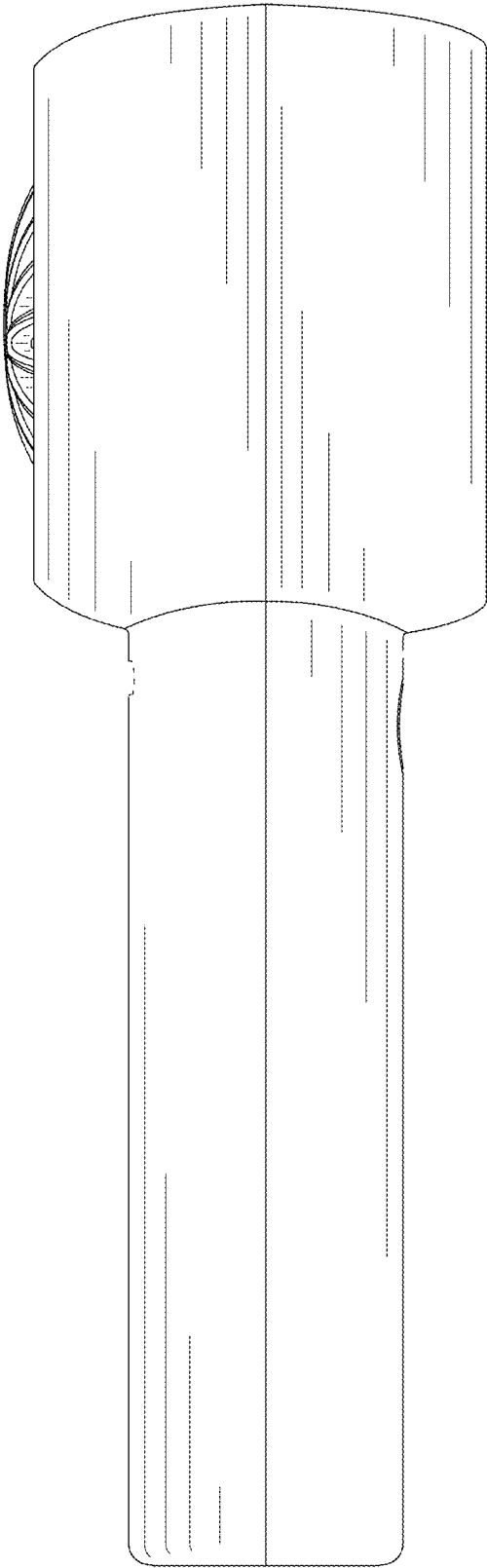


FIG. 5

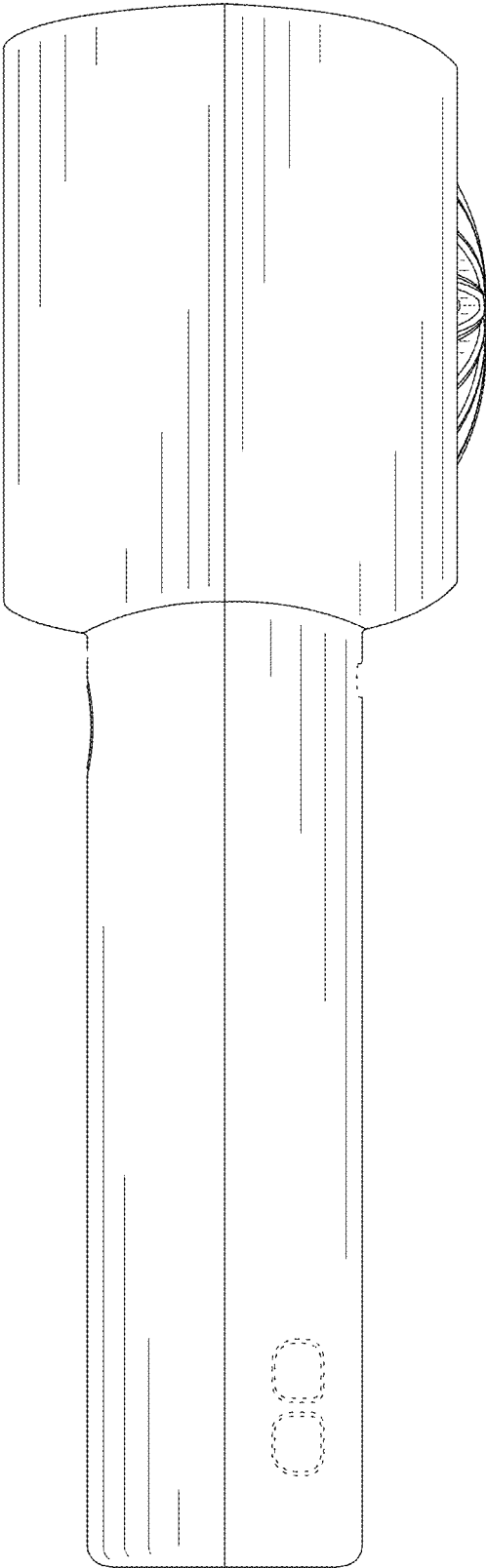


FIG. 6

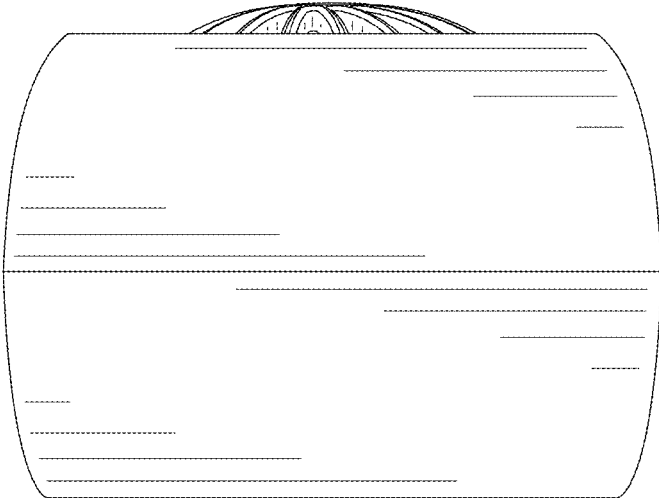


FIG. 7

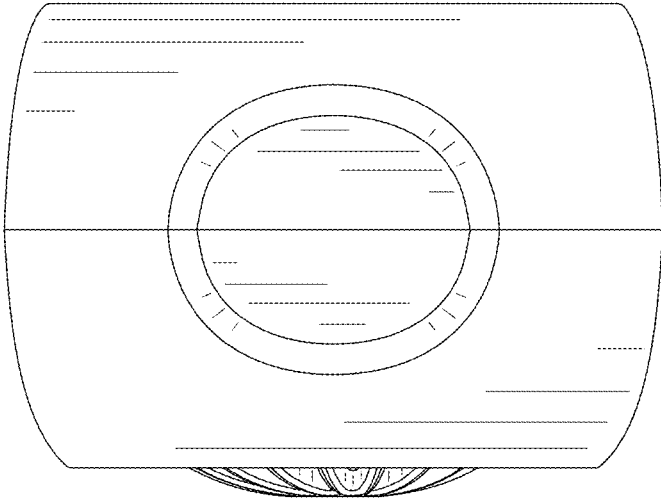


FIG. 8

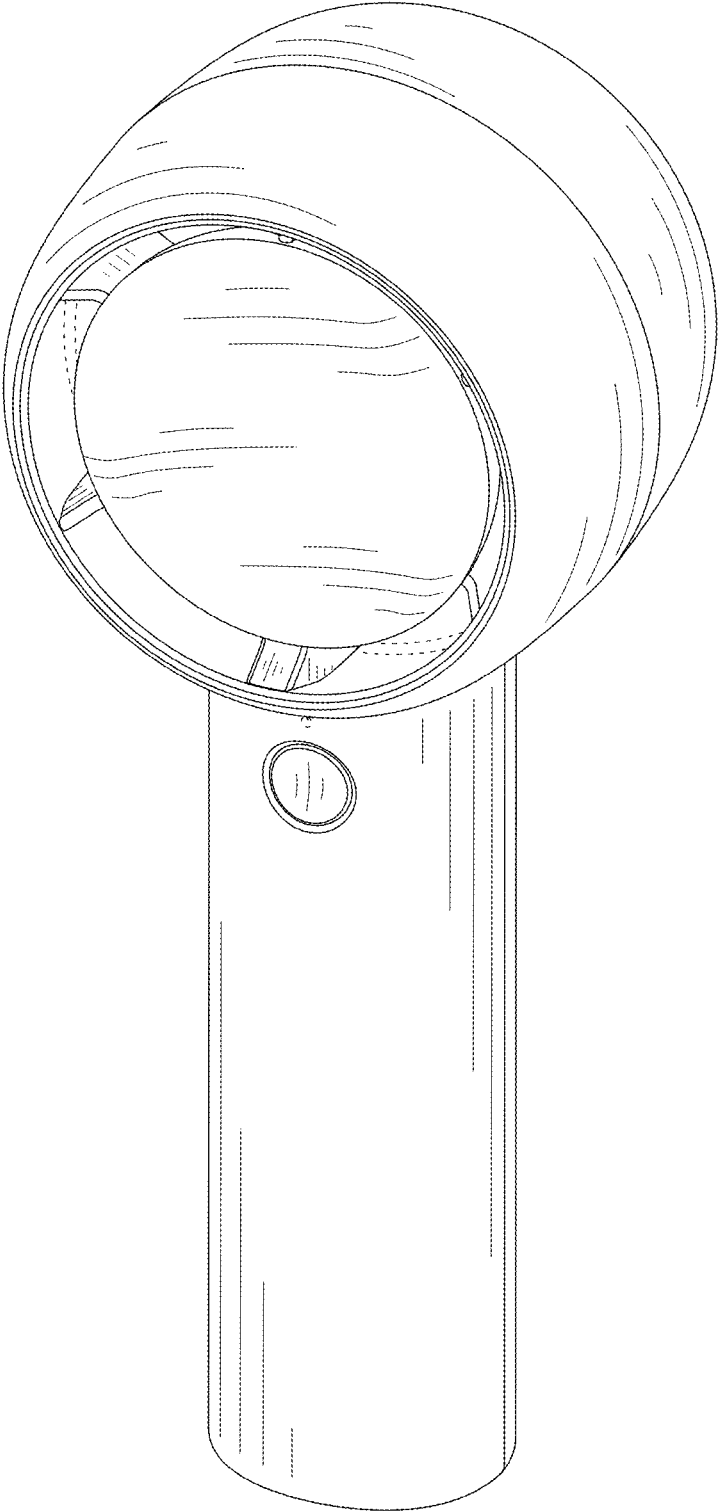


FIG. 9

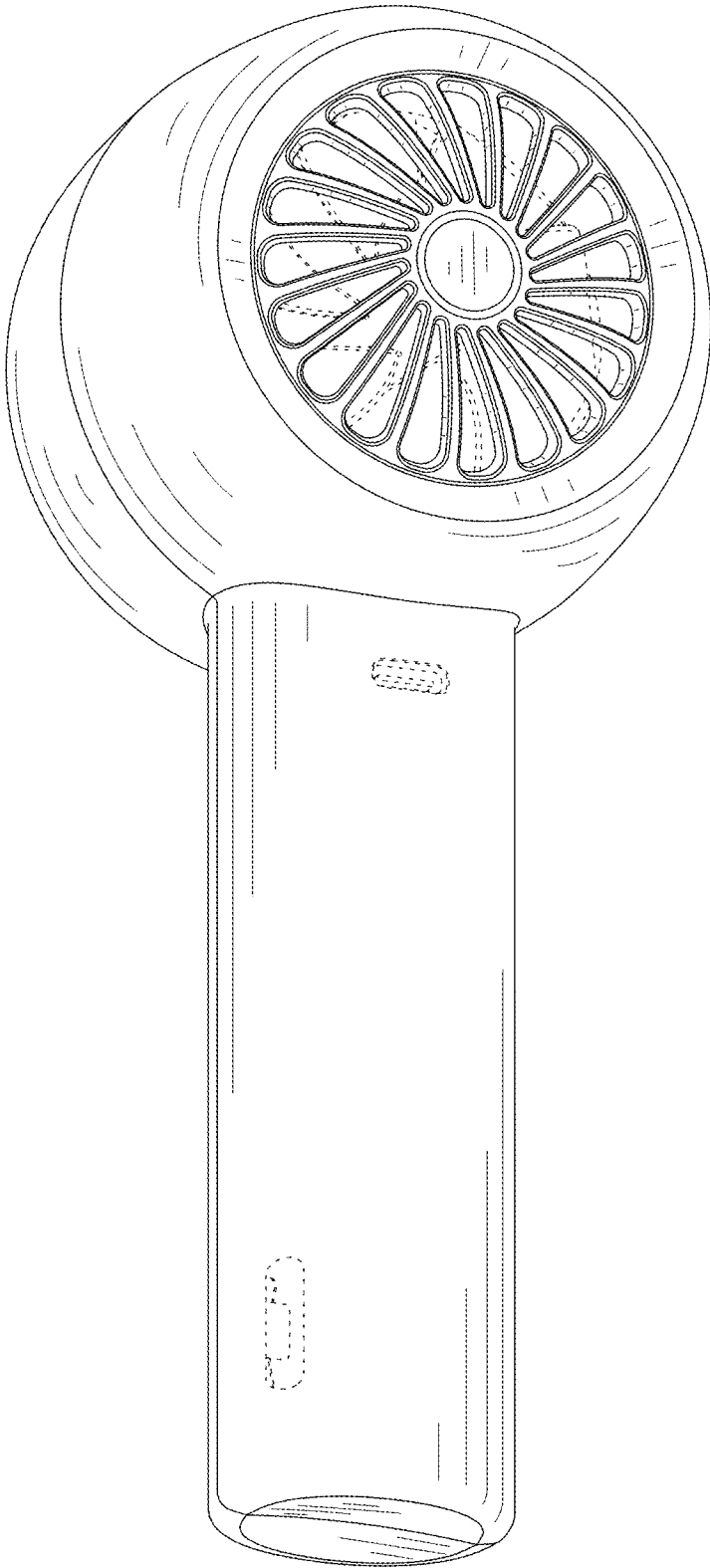


FIG. 10

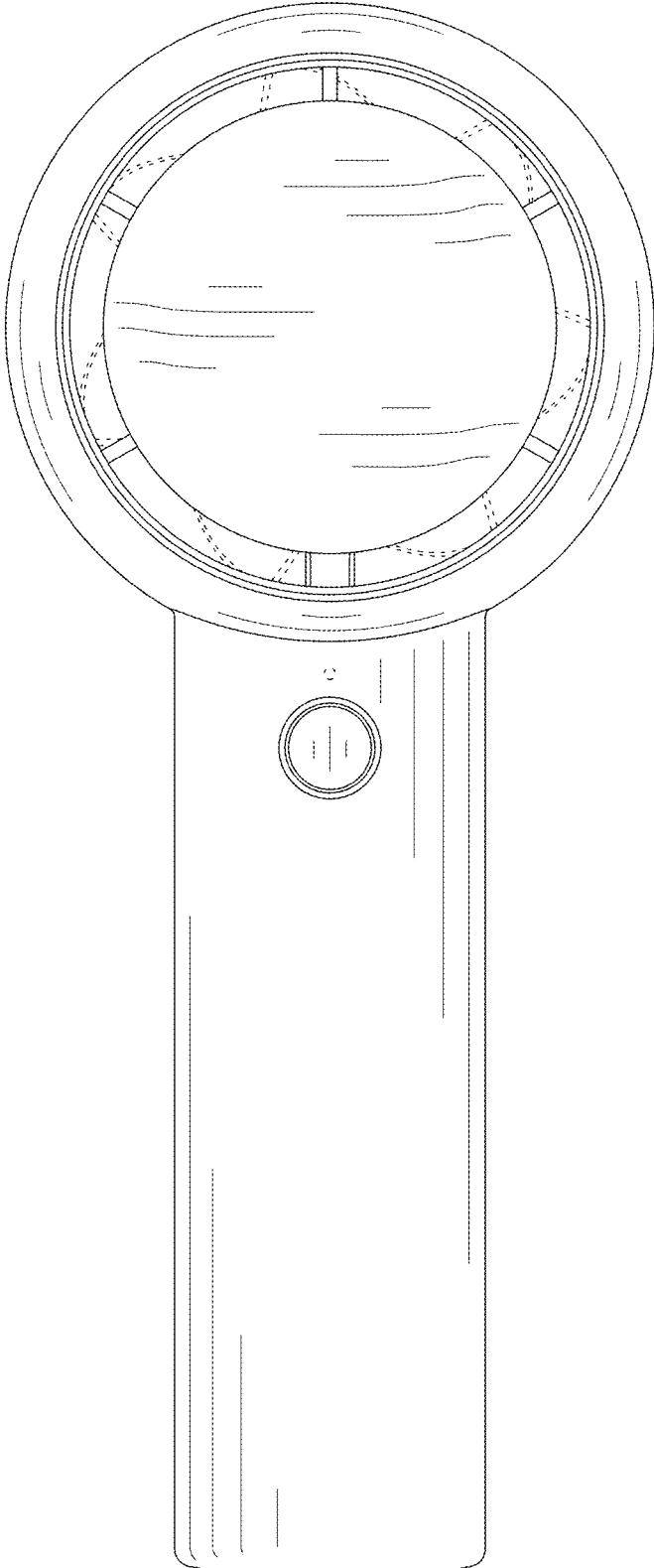


FIG. 11

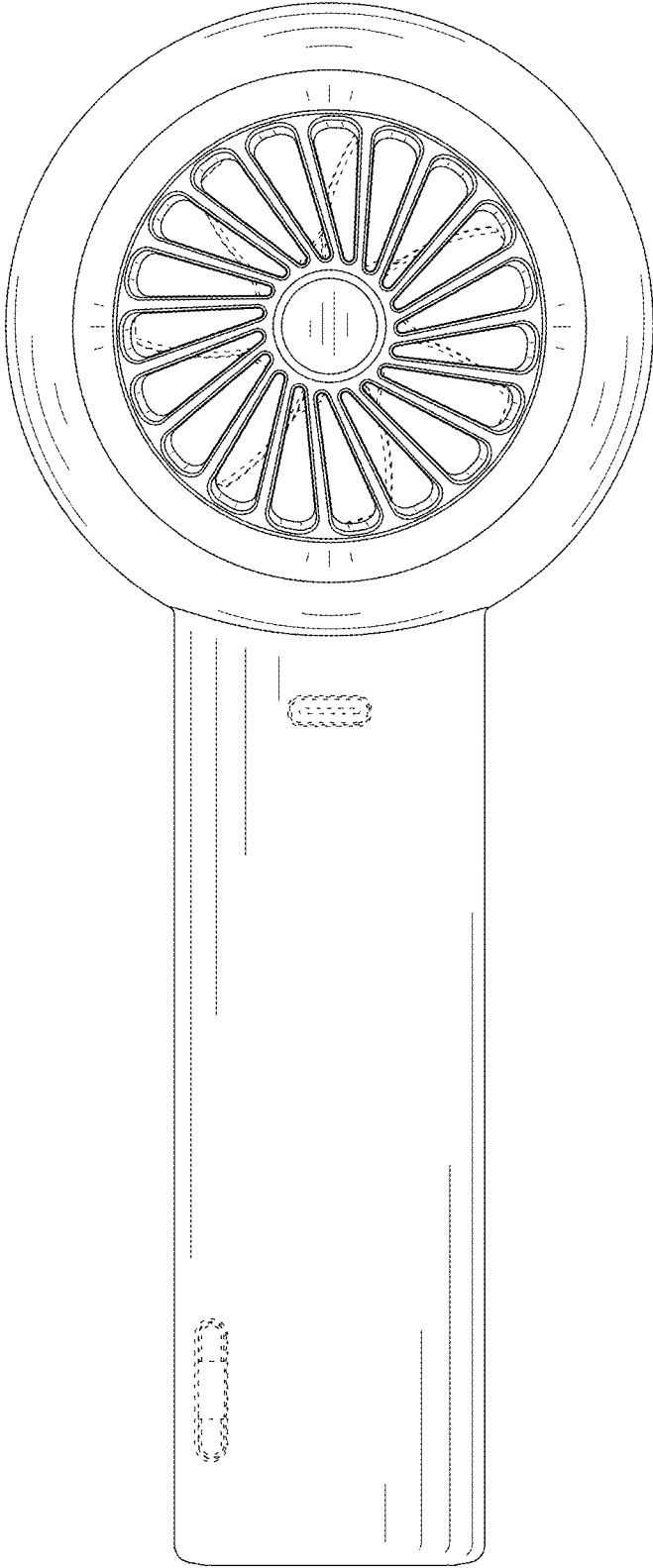


FIG. 12

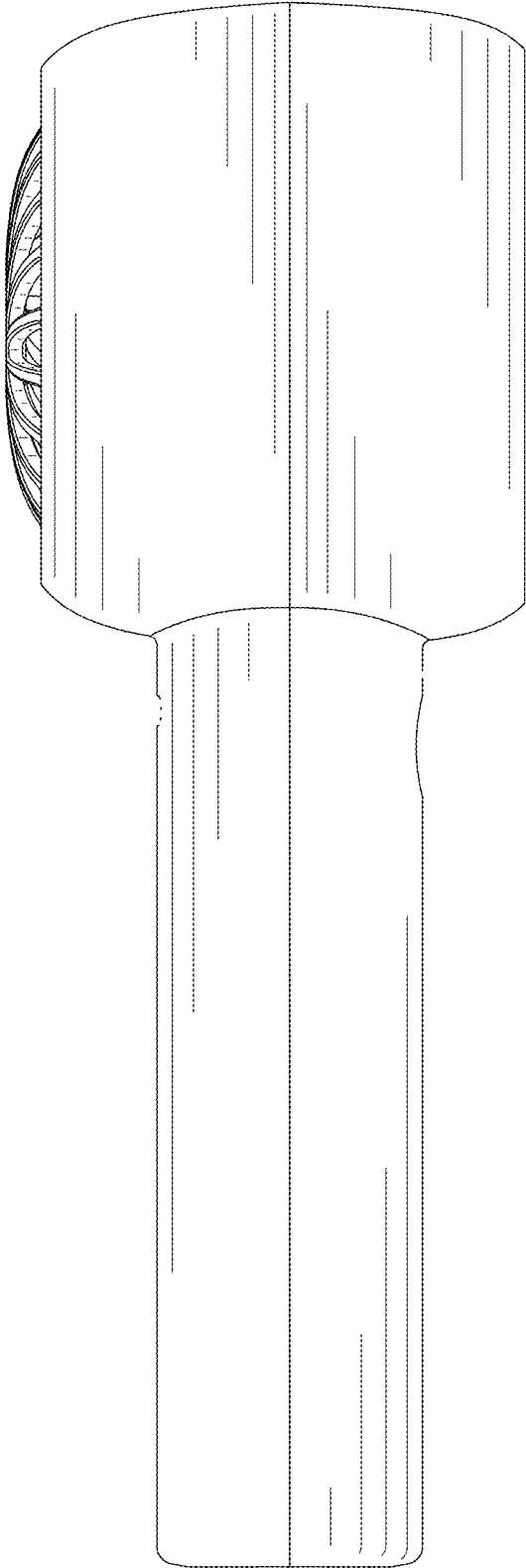


FIG. 13

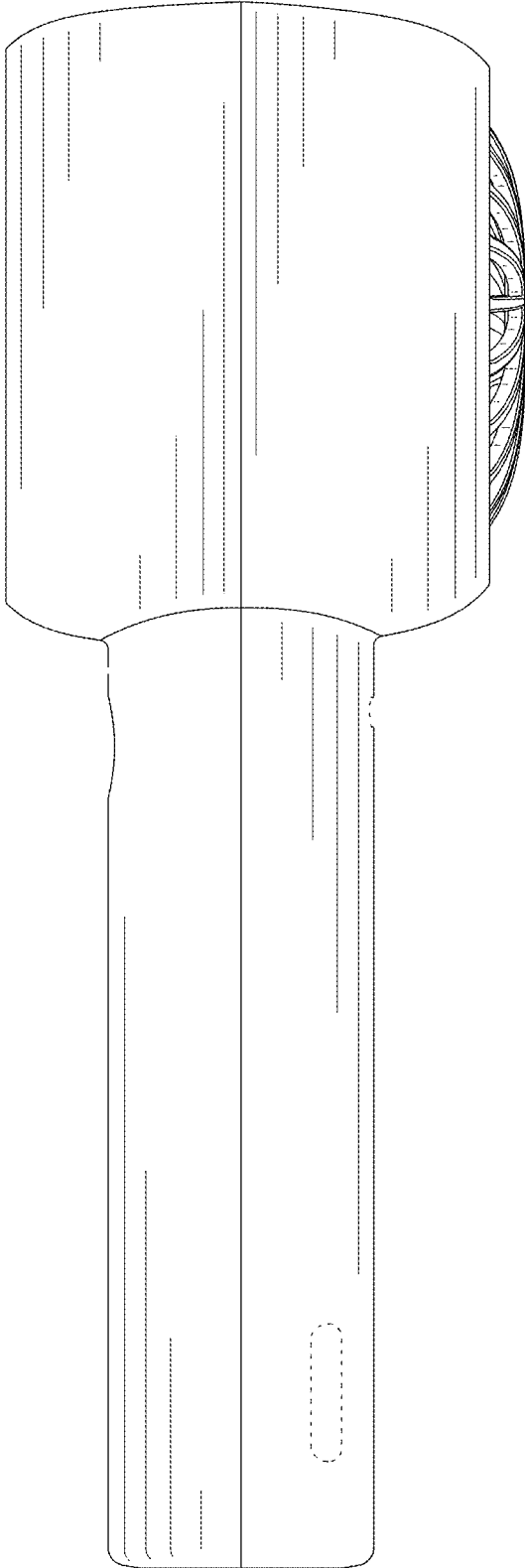


FIG. 14

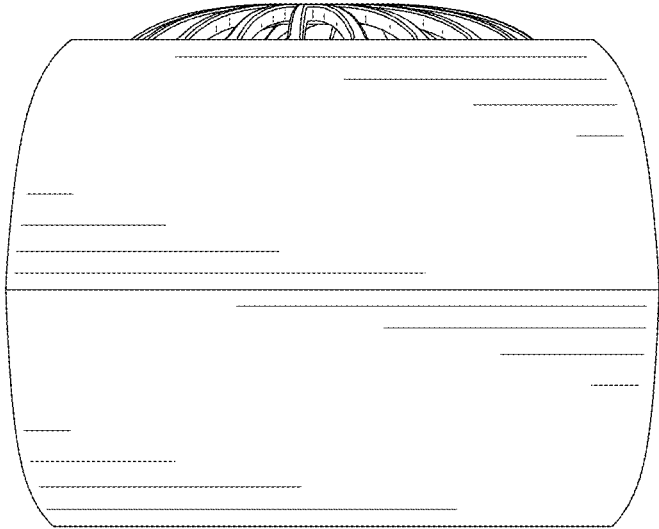


FIG. 15

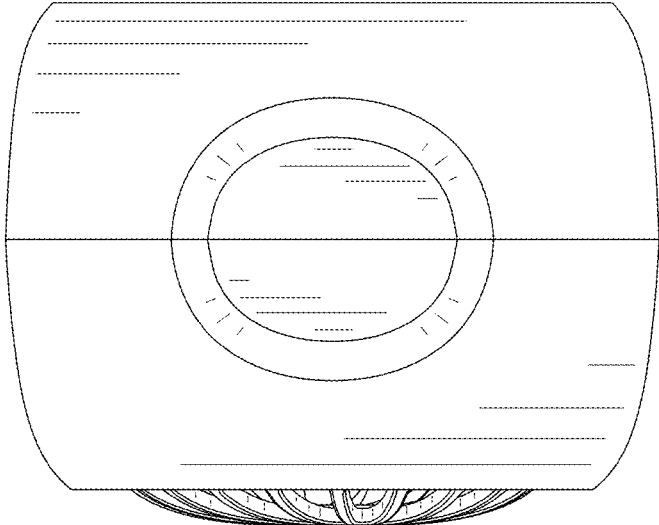


FIG. 16