



US00D693029S

(12) **United States Design Patent**  
**Wickland**

(10) **Patent No.:** **US D693,029 S**

(45) **Date of Patent:** **\*\* Nov. 5, 2013**

(54) **WINDOW COMPONENT EXTRUSION**

(75) Inventor: **Timothy T. Wickland**, Auburn, WA (US)

(73) Assignee: **Mikron Industries, Inc.**, Kent, WA (US)

(\*\*) Term: **14 Years**

(21) Appl. No.: **29/421,689**

(22) Filed: **Aug. 30, 2012**

(51) **LOC (9) Cl.** ..... **25-01**

(52) **U.S. Cl.**

USPC ..... **D25/124**

(58) **Field of Classification Search**

USPC ..... D25/124; 52/204.1, 204.2, 204.5, 52/204.51, 656.5, 656.6, 213, 215, 208, 52/206, 212, 717.01, 209, 204.72, 579, 52/793.1, 794.1, 216, 204.55, 656.2, 52/656.7; 49/DIG. 2, 504, 501, 449, 180, 49/183, 505

See application file for complete search history.

(56) **References Cited**

**U.S. PATENT DOCUMENTS**

D442,292 S \* 5/2001 Habeck et al. .... D25/124  
D454,212 S \* 3/2002 Ballard et al. .... D25/124  
6,857,232 B2 \* 2/2005 Bealko ..... 52/211  
7,845,135 B2 \* 12/2010 Sibbett ..... 52/656.9

D640,802 S \* 6/2011 Fannan ..... D25/124  
2006/0026913 A1 \* 2/2006 Turner ..... 52/204.5  
2009/0000225 A1 \* 1/2009 Ito et al. .... 52/204.5

\* cited by examiner

*Primary Examiner* — Doris Clark

(74) *Attorney, Agent, or Firm* — Zollinger & Burleson Ltd.

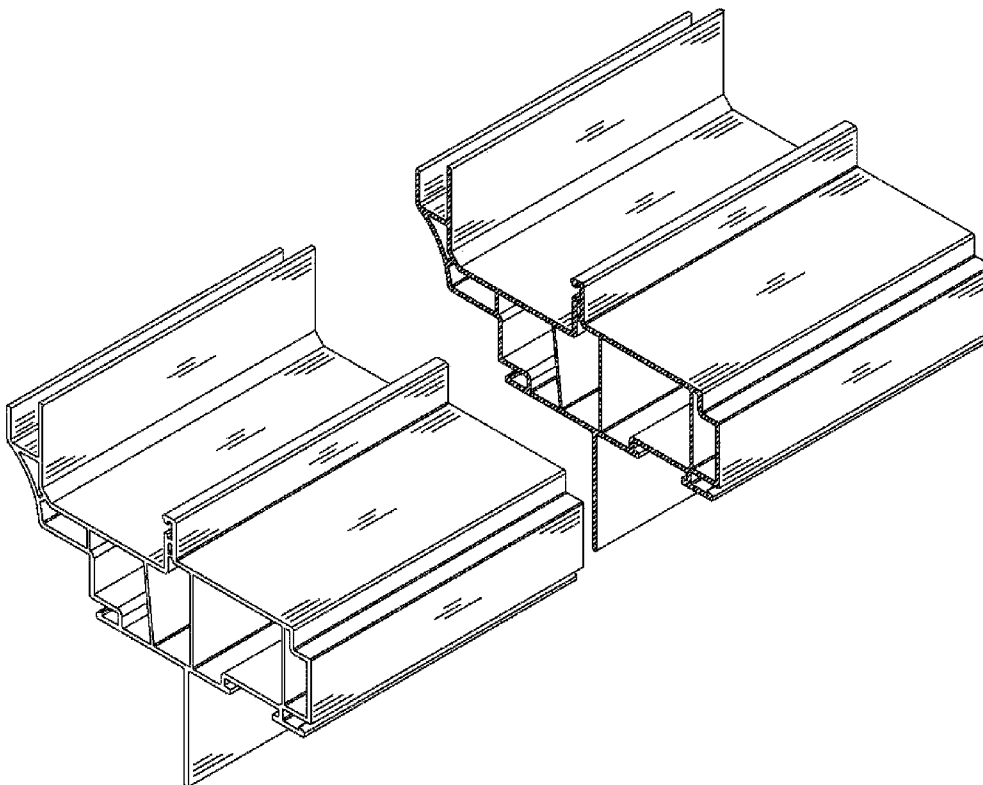
(57) **CLAIM**

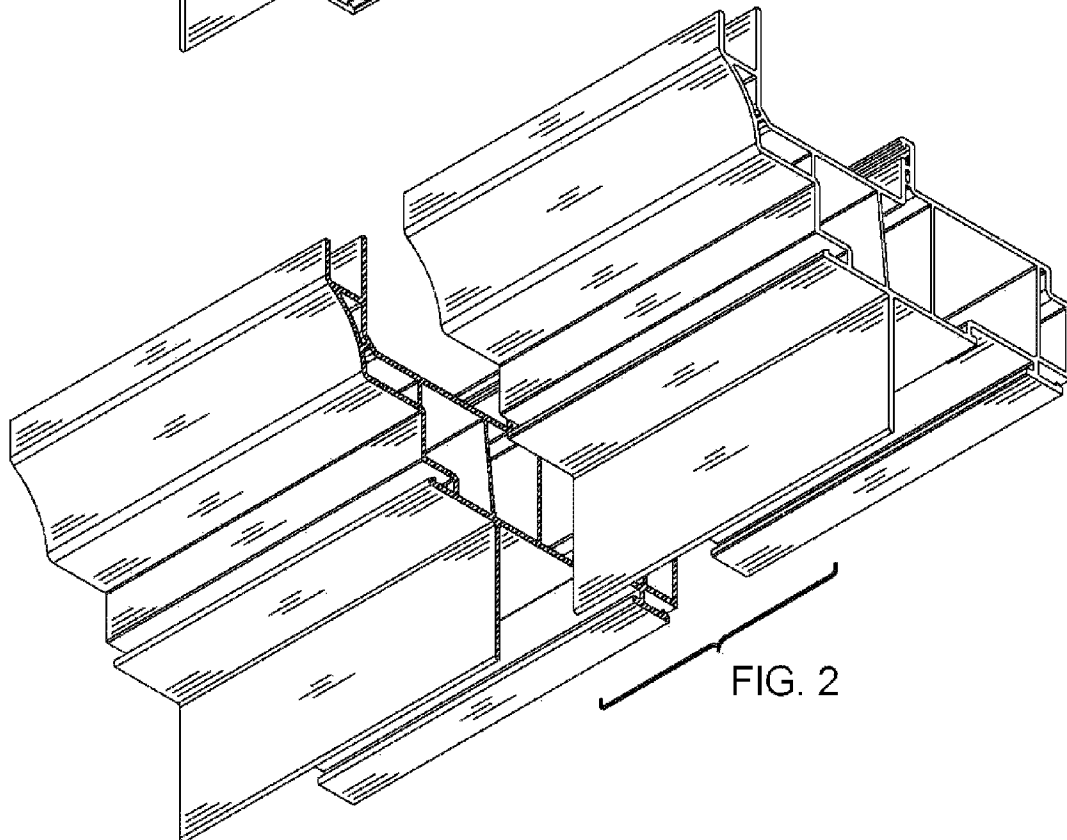
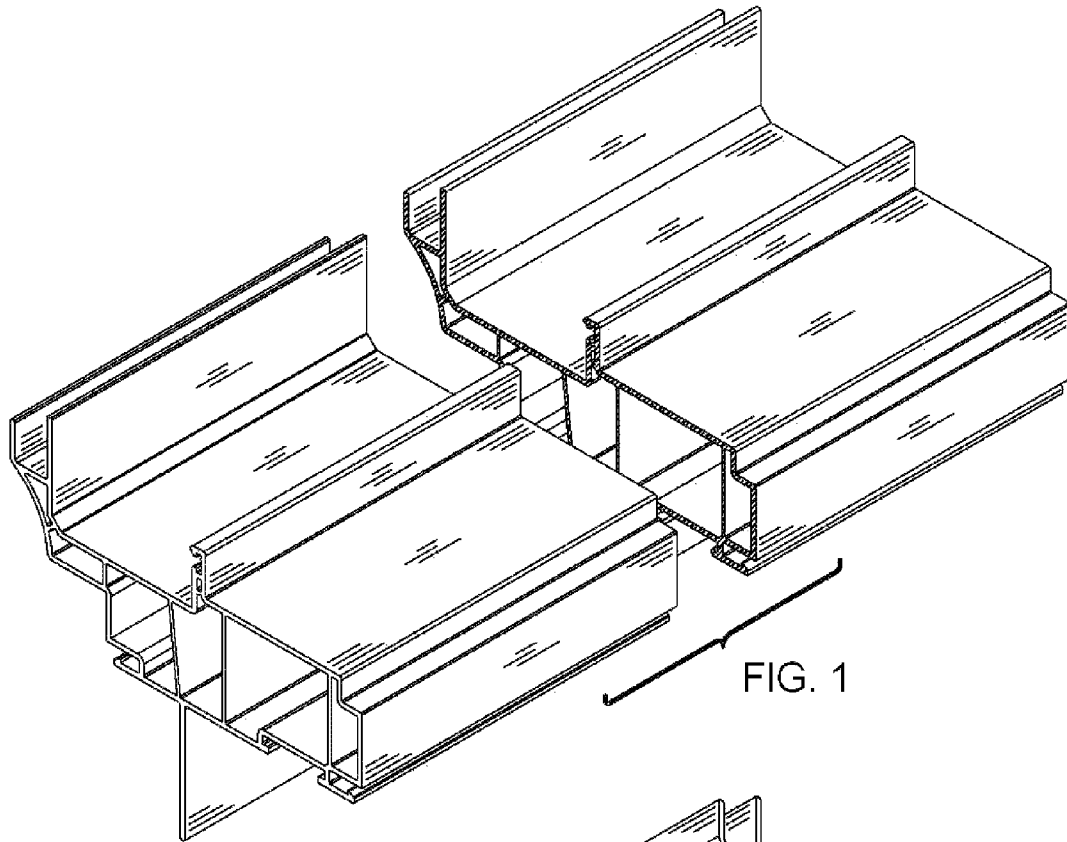
The ornamental design for a window component extrusion, as shown and described.

**DESCRIPTION**

FIG. 1 is a top right perspective view of a first embodiment of the window component extrusion which is broken in the center indicating indefinite length, FIG. 2 is a bottom left perspective view of the window component extrusion shown in FIG. 1, FIG. 3 is a top right perspective view of a second embodiment of the window component extrusion which is broken in the center indicating indefinite length, FIG. 4 is a bottom left perspective view of the window component extrusion shown in FIG. 3, FIG. 5 is a top right perspective view of a third embodiment of the window component extrusion which is broken in the center indicating indefinite length; and, FIG. 6 is a bottom left perspective view of the window component extrusion shown in FIG. 5.

**1 Claim, 3 Drawing Sheets**





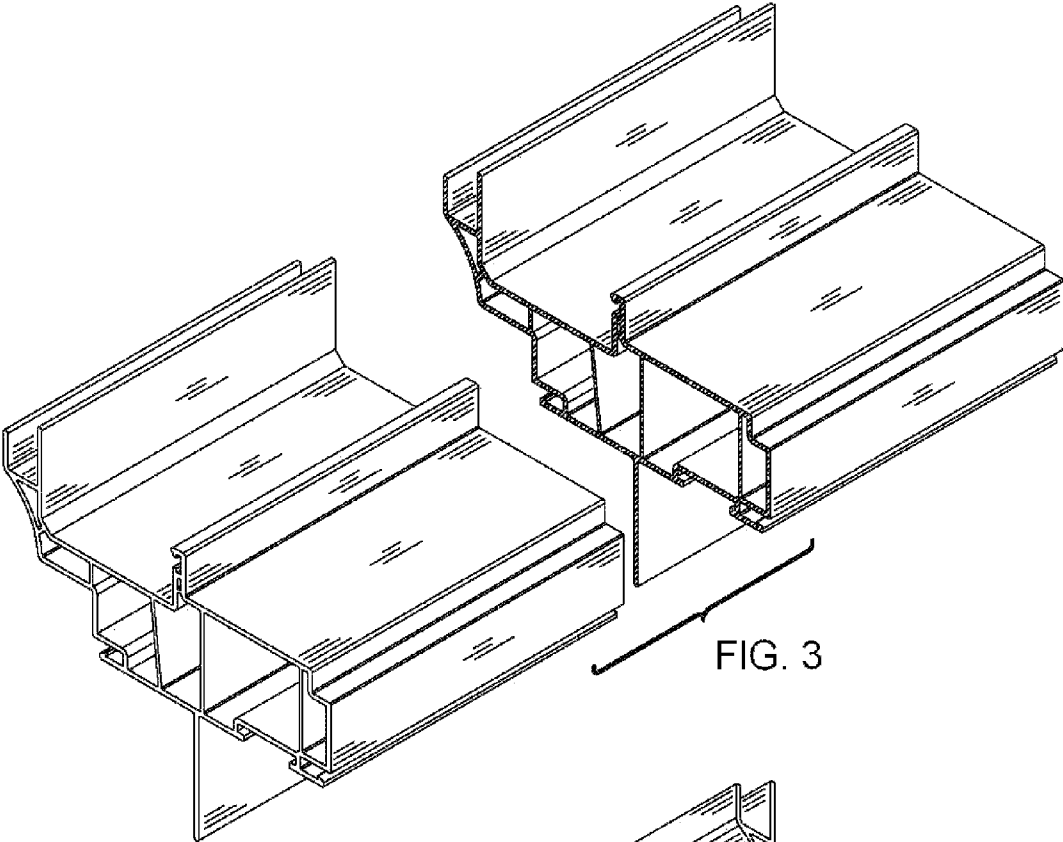


FIG. 3

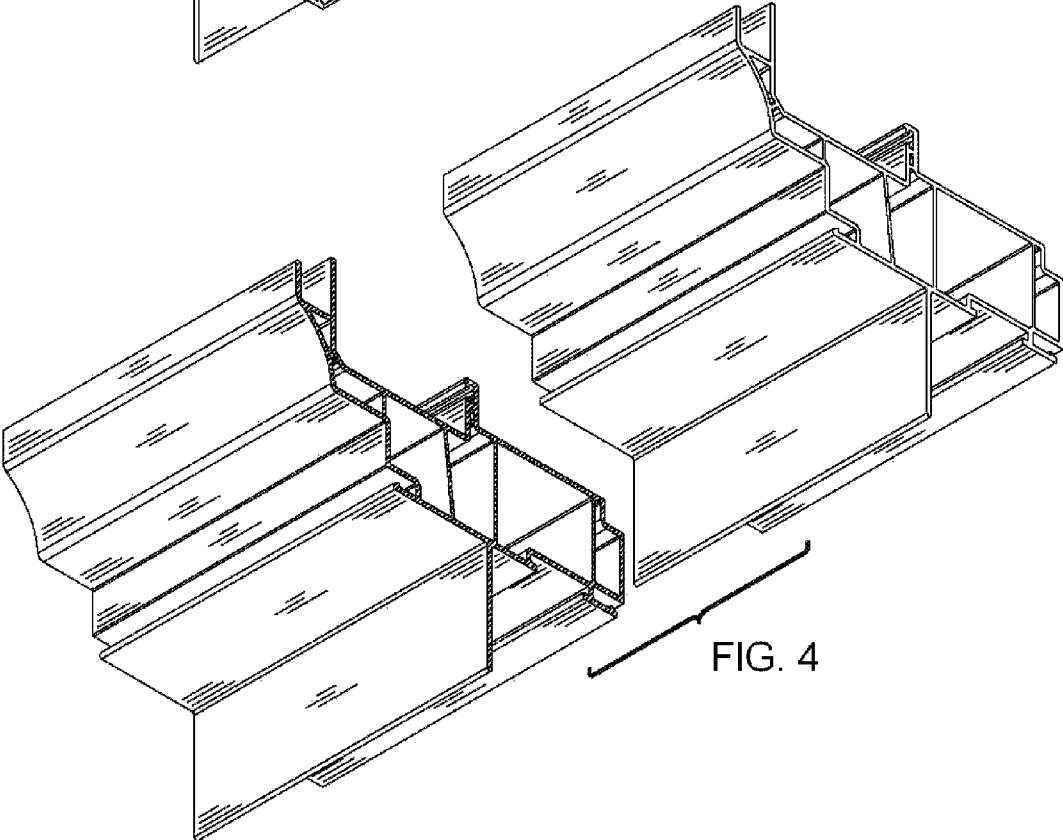


FIG. 4

