



US00D439439S

(12) **United States Design Patent** (10) **Patent No.:** **US D439,439 S**  
**Hazen et al.** (45) **Date of Patent:** **\*\* Mar. 27, 2001**

- (54) **BUREAU**
- (75) Inventors: **Larry D. Hazen; Gary A. Huffstetler,**  
both of Lenoir, NC (US)
- (73) Assignee: **Broyhill Furniture Industries, Inc.,**  
Lenoir, NC (US)
- (\*\*) Term: **14 Years**
- (21) Appl. No.: **29/105,946**
- (22) Filed: **Jun. 4, 1999**
- (51) **LOC (7) Cl.** ..... **06-04**
- (52) **U.S. Cl.** ..... **D6/441; D6/445**
- (58) **Field of Search** ..... **D6/432-448; 312/204,**  
312/257

(56) **References Cited**

**U.S. PATENT DOCUMENTS**

D. 79,960	11/1929	Gommesen	.....	D6/441
D. 90,887	10/1933	Kaysen	.....	D6/505
D. 159,488	* 8/1950	Jiranek	.....	D6/441
D. 162,491	* 3/1951	Sussman	.....	D6/441
D. 236,785	9/1975	Smith	.....	D6/485
D. 249,107	8/1978	Rodriguez	.....	D6/430
D. 262,332	12/1981	Keller	.....	D6/505
D. 263,527	3/1982	West	.....	D6/507
D. 280,371	9/1985	Bayly	.....	D6/484
D. 295,244	* 4/1988	Bauman	.....	D6/438
D. 341,506	11/1993	Nourse	.....	D6/480
D. 344,199	* 2/1994	Stephens	.....	D6/446
D. 372,609	8/1996	Lewis	.....	D6/480
D. 414,627	* 10/1999	Cain	.....	D6/441
D. 416,144	* 11/1999	Walters, III et al.	.....	D6/437
D. 420,833	* 2/2000	Cain	.....	D6/445

**OTHER PUBLICATIONS**

Ethan Allen c1992, p. 245, bed post.  
 Sodibois Jardin, #17 table in center.  
 Better Homes and Gardens, May 1998 Issue, p. 54, Dining table and chairs.

FFI, Oct./Nov. 1998 Issue, Revisiting Arts & Crafts section, pp. 17,18, Frank Lloyd Wright reproduction dining table and bookcase.  
 Country Living, Nov. 1998 Issue, pp. 133-134, upholstered arm chair and wooden footstool, built-in bed.  
 Garden, Sep./Oct. 1998 Issue, pp. 81-82, apothecary chest, rail back chair.  
 Traditional Home, Nov. 1998 Issue, p. 176, Empire secretary, dining set, cart.  
 House & Garden, May 1998 Issue, p. 162, dough-rising table.  
 Unknown publication, tilt-top table, Chippendale chairs and highboy, date unknown.  
 Unknown publication, headboard and foot board, desk chair, designer John Yunis with steel and brushed iron table and Louis XV chair fireside, date unknown.  
 Unknown publication, p. 146, painted tin headboard, date unknown.  
 Unknown publication, p. 145, dining table and chairs, date unknown.  
 Unknown publication, table and chairs, date unknown.  
 Unknown publication, dining table and chairs, date unknown.

(List continued on next page.)

*Primary Examiner*—Carmen H. Vales-Lado  
(74) *Attorney, Agent, or Firm*—Howell & Haferkamp, L.C.

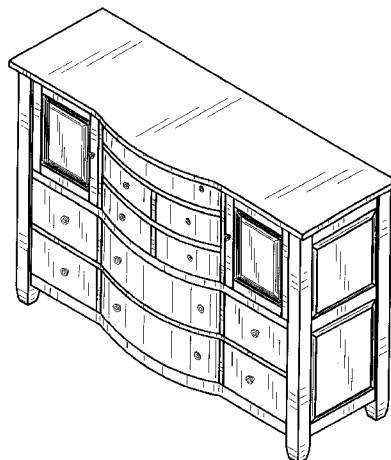
(57) **CLAIM**

The ornamental design for a bureau, as shown and described.

**DESCRIPTION**

FIG. 1 is a perspective view of a bureau showing our new design;  
 FIG. 2 is a front elevational view thereof;  
 FIG. 3 is a left side elevational view thereof;  
 FIG. 4 is a right side elevational view thereof; and,  
 FIG. 5 is a top plan view thereof.

**1 Claim, 2 Drawing Sheets**



## OTHER PUBLICATIONS

FFI, pp. 27–28, The Villager Collection advertisement, shutter bed and bedside chest, aero chairs and upholstered legacy chair, Oct./Nov. 1998.

Unknown publication, pp. 123–124, shutter bed and ladder back chair, article House of Kieselstein–Cord leather antique sofa, date unknown.

Unknown publication, pp. 159–160, canopy bed, end table, cushioned patio set near ramshead fountain, date unknown.

Unknown publication, Franklin table, date unknown.

Unknown publication, Berkshire bed, date unknown.

Unknown publication, canopy bed, end table, chest, date unknown.

Unknown publication, ladder back rockers, tavern table, date unknown.

The American Collection catalog, poster bed, armoire, date unknown.

Unknown publication, Sonoma armoire, date unknown.

Unknown publication, cellarette, rattan chair, ottoman, cabinet, pp. 173–175, date unknown.

Unknown publication, hallway table, date unknown.

Unknown publication, p. 34, wall ensemble, date unknown.

Unknown publication, p. 22, mill chest, date unknown.

Unknown publications, p. 58, kitchen set with ladder back chairs, pie safe, date unknown.

Unknown publication, poster bed, end table, date unknown.

Unknown publication, pedestal tables, date unknown.

Habersham Plantation Corporation, unknown publication, high storage table, 1998.

Unknown publication, ladder back rocking chair, end table, date unknown.

Unknown publication, cupboard, date unknown.

Unknown publication, headboard and foot board, night table, trunk, date unknown.

Unknown publication, Ballard Designs, 8 pages, selected pieces, Nov. 1998.

Unknown publication, Hooker storage cocktail table and square table, date unknown.

Unknown publication, Jackson Hole, square lamp, end and sofa tables, date unknown.

Lane Big Sky Country catalog, pp. 1–23, Feb. 1993.

Sligh Homeworks catalog, Sligh Furniture Company, Holland, Michigan, date unknown.

Broyhill American Frontier catalog, pp. 1–7, Apr. 1992.

Broyhill American Frontier catalog, dining rooms, Feb. 1992.

Broyhill American Frontier catalog, bedrooms, Feb. 1992.

Winners Only Inc. Home Office Furniture, pp. 1–2, Ocean-side, California, date unknown.

The Gamekeeper Restaurant, photographs of mirror, chairs, chest front, date unknown.

Miscellaneous displays, 16 photographs of chests, tables, bed set, 6 pages, date unknown.

Kids Today, pp. 1, 32 and 34, Jan./Feb. 1999.

Unknown publication, bed with head and foot board, date unknown.

Unknown publication on Thomas Kinkade, chest, tapestry and chair with throw, date unknown.

Unknown publication, rattan table and chairs, date unknown.

Unknown publication, Shermag, Inc. Edwardian Collection bedroom set, date unknown.

Unknown publication, p. 44, American Beauties in Essex display, scroll-arm Sheraton chairs, date unknown.

Unknown publication, p. 161, Louis XIV–style armchair, ottoman/coffee table, sofa and lamp, date unknown.

Unknown publication, Pier 1 Imports, rail back chair, serving table, date unknown.

Unknown publications, cut-outs of Pasadena oak lamp and storage table with accessories, date unknown.

Unknown publications, cut-outs of welsh cupboard (Hickory American Digest line) and ornamented landscape mirror, date unknown.

Unknown publication, p. 100, kitchen setting with panel door cupboard, date unknown.

Unknown publication, p. 177, fireside bench and hallway table, date unknown.

Unknown publication, full-page advertisement for Big Cedar Lodge, date unknown.

Unknown publication, article on designer Bellinger, date unknown.

Unknown publication, desk and hutch, Mar. 1997.

Unknown publication, club chair, rail back chairs and table, bookshelves, date unknown.

Unknown publication, couch and trunk cocktail table, date unknown.

Unknown publication, *Unstudied Spaces in Malibu*, wicker rocking chair, date unknown.

Unknown publication, *Adirondack Echoes in Maine*, pp. 136–145, selected kitchen, bedroom and living room furniture, date unknown.

Log Home Living, pp. 77–79, selected living room, kitchen, bedroom and rec room furniture, Dec. 1998.

Unknown publication, poster bed and X-door armoire, date unknown.

Unknown origin, views of hillside with structure and entrance to building, unknown date.

Unknown origin, views of waterfall and entrance mark to Blowing Rock Town Hall, date unknown.

Traditional Home, pp. 137–138, advertisements for Ballard Designs bed and Homes of Elegance upholstered arm chairs, date unknown.

Unknown publication, Brava trunk tables with sofa and ottoman, date unknown.

\* cited by examiner

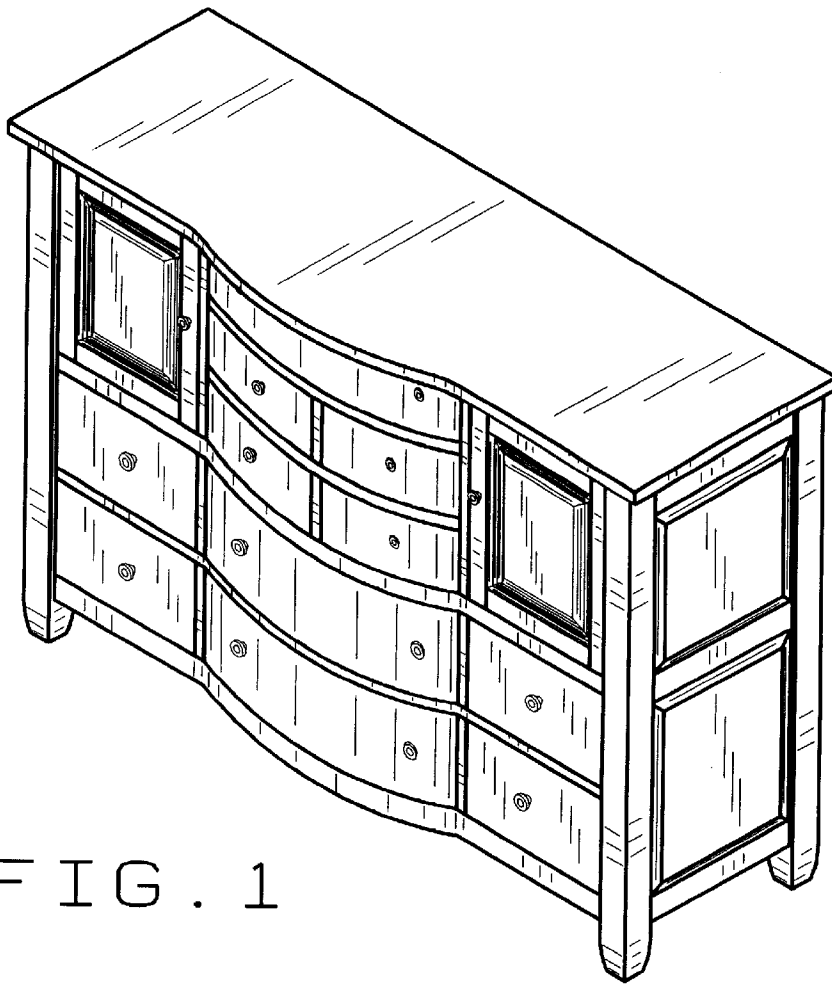


FIG. 1

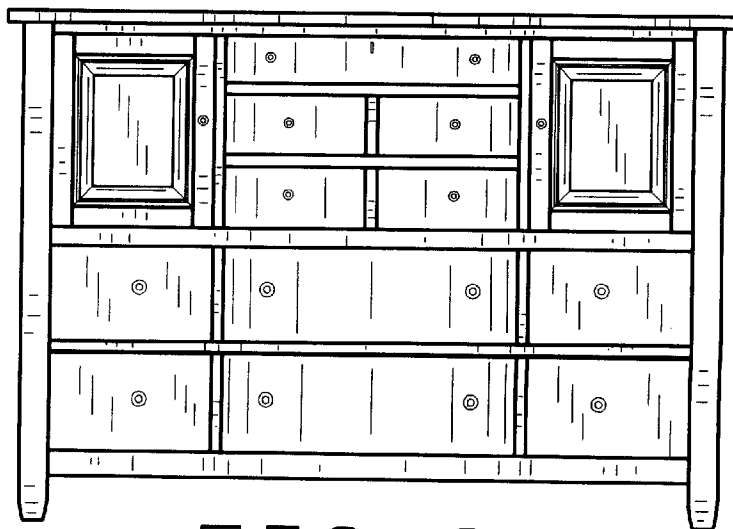


FIG. 2

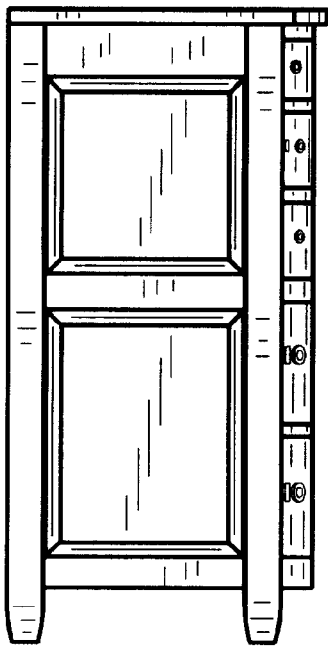


FIG. 3

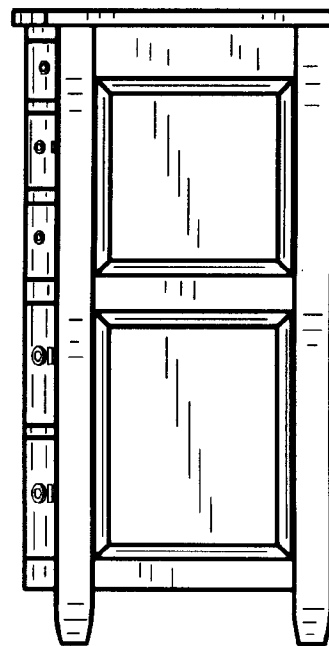


FIG. 4

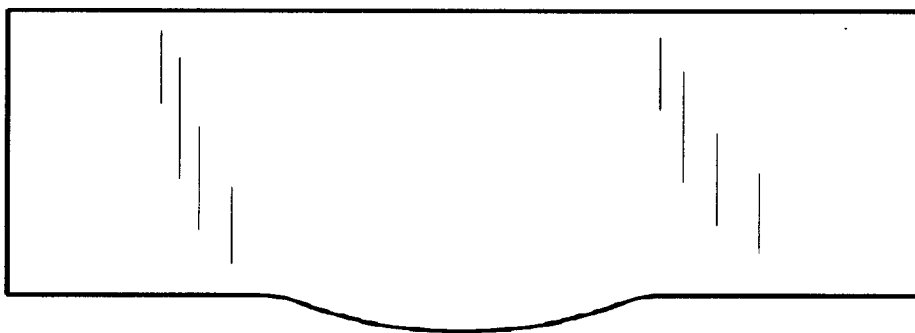


FIG. 5