



US00D429814S

# United States Patent [19]

[11] Patent Number: **Des. 429,814**

Lörwald et al.

[45] Date of Patent: **\*\* Aug. 22, 2000**

- [54] **BLOOD LANCETTE**
- [75] Inventors: **Dieter Lörwald**, Hamburg; **Hans Jürgen Kuhr**, Mannheim; **Hans Kintzig**, Tiefenthal, all of Germany
- [73] Assignee: **Roche Diagnostics Corporation**, Indianapolis, Ind.
- [\*\*] Term: **14 Years**
- [21] Appl. No.: **29/108,081**
- [22] Filed: **Jul. 16, 1999**
- [51] **LOC (7) Cl.** ..... **24-02**
- [52] **U.S. Cl.** ..... **D24/147; D24/140**
- [58] **Field of Search** ..... D24/114, 112, D24/146, 147; 606/181, 185, 182

D. 297,459	8/1988	Heiland et al.	.....	D24/147
D. 342,573	12/1993	Cerola	.....	D24/147
5,269,799	12/1993	Daniel	.....	606/182
5,304,193	4/1994	Zhadanov	.....	606/182
5,423,847	6/1995	Strong et al.	.....	606/182
5,464,418	11/1995	Schrage	.....	606/182

*Primary Examiner*—Ian Simmons  
*Attorney, Agent, or Firm*—Faegre & Benson LLP

## [57] CLAIM

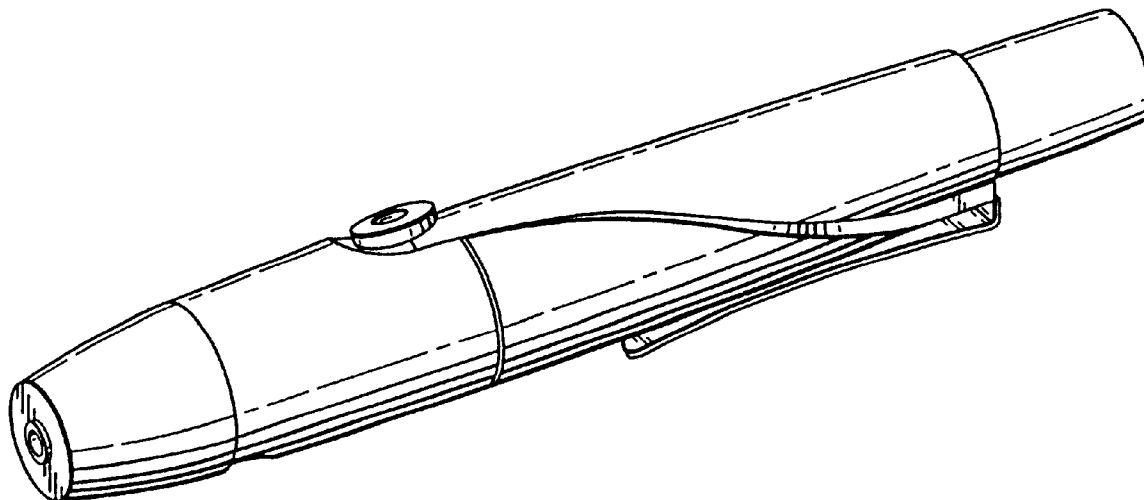
The ornamental design for a blood lancette, as shown and described.

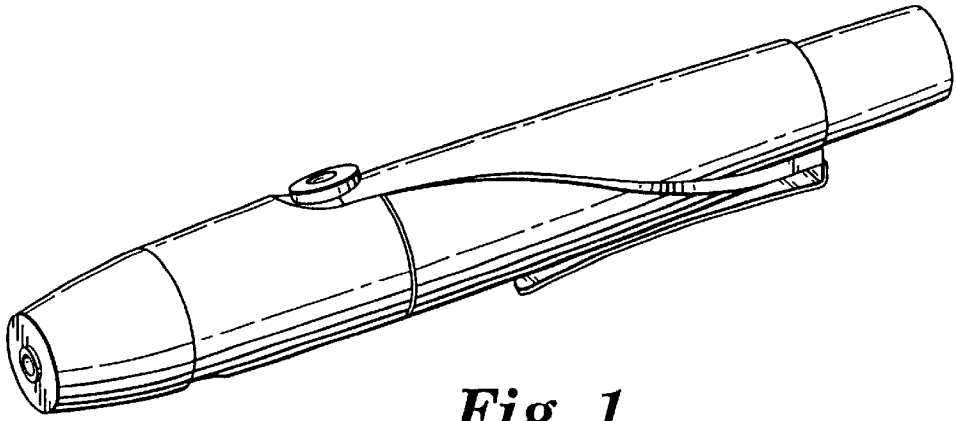
## DESCRIPTION

FIG. 1 is a view in perspective of a blood lancette; FIG. 2 is a top plan view of the blood lancette of FIG. 1; FIG. 3 is a side plan view of the blood lancette of FIG. 1; FIG. 4 is a bottom plan view of the blood lancette of FIG. 1; FIG. 5 is an end view of the blood lancette of FIG. 1; and, FIG. 6 is an end view of the blood lancette of FIG. 1.

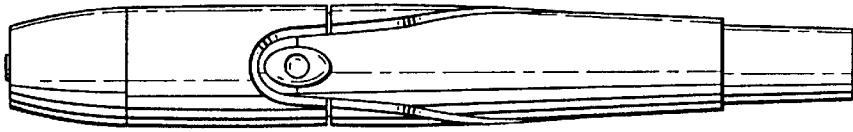
- [56] **References Cited**
- U.S. PATENT DOCUMENTS
- D. 277,507 2/1985 Levy ..... D24/147

**1 Claim, 1 Drawing Sheet**





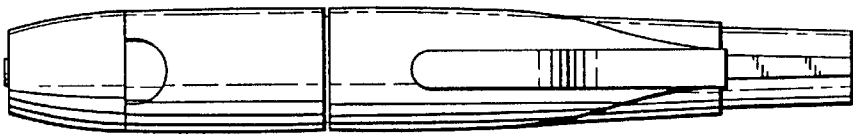
*Fig. 1*



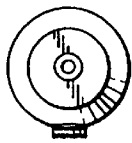
*Fig. 2*



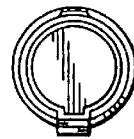
*Fig. 3*



*Fig. 4*



*Fig. 5*



*Fig. 6*