



US00D593425S

(12) **United States Design Patent**  
**Weiss**

(10) **Patent No.:** **US D593,425 S**

(45) **Date of Patent:** **\*\* Jun. 2, 2009**

(54) **WATCH**

D557,616 S \* 12/2007 Foster ..... D10/6  
D573,041 S \* 7/2008 Lulic ..... D10/39

(76) Inventor: **David Weiss**, 50 Alness Street, Toronto,  
ON (CA) M3J 2G9

**OTHER PUBLICATIONS**

(\*\*) Term: **14 Years**

Moving Hockey Puck Watch entry on eBay, [http://cgi.ebay/Moving-Hockey-Puck-Watch-kids-velco-adjustable-band\\_W0QQitemZ36003019207OQQihZ023QQcatego.....](http://cgi.ebay/Moving-Hockey-Puck-Watch-kids-velco-adjustable-band_W0QQitemZ36003019207OQQihZ023QQcatego.....), accessed on or about Apr. 21, 2008.

(21) Appl. No.: **29/326,488**

\* cited by examiner

(22) Filed: **Oct. 20, 2008**

(30) **Foreign Application Priority Data**

*Primary Examiner*—Lucy Lieberman  
(74) *Attorney, Agent, or Firm*—Calfee, Halter & Griswold LLP

Jun. 13, 2008 (CA) ..... 126527

(51) **LOC (9) Cl.** ..... **10-02**

(57) **CLAIM**

(52) **U.S. Cl.** ..... **D10/33; D10/38**

The ornamental design for a watch, as shown and described.

(58) **Field of Classification Search** ..... D10/30–39,  
D10/122–132, 33; 368/276, 281, 282, 285

See application file for complete search history.

**DESCRIPTION**

(56) **References Cited**

FIG. 1 is a front, right side and bottom perspective view of a watch showing my new design;

**U.S. PATENT DOCUMENTS**

FIG. 2 is a top plan view thereof;

- D126,380 S \* 4/1941 Didisheim ..... D10/33
- D224,913 S \* 10/1972 Maroni ..... D10/32
- D340,650 S \* 10/1993 Iwamura ..... D10/32
- D359,917 S \* 7/1995 Haenni ..... D10/33
- D361,525 S \* 8/1995 Yudovin ..... D10/33
- D417,158 S \* 11/1999 Krauss ..... D10/30
- D433,949 S \* 11/2000 Helleu ..... D10/30
- D505,086 S \* 5/2005 Fernandez ..... D10/39
- D510,037 S \* 9/2005 Modolo ..... D10/32
- D552,491 S \* 10/2007 Vidal ..... D10/38
- D553,016 S \* 10/2007 Foster ..... D10/6

FIG. 3 is a bottom plan view thereof;

FIG. 4 is a right side elevation thereof;

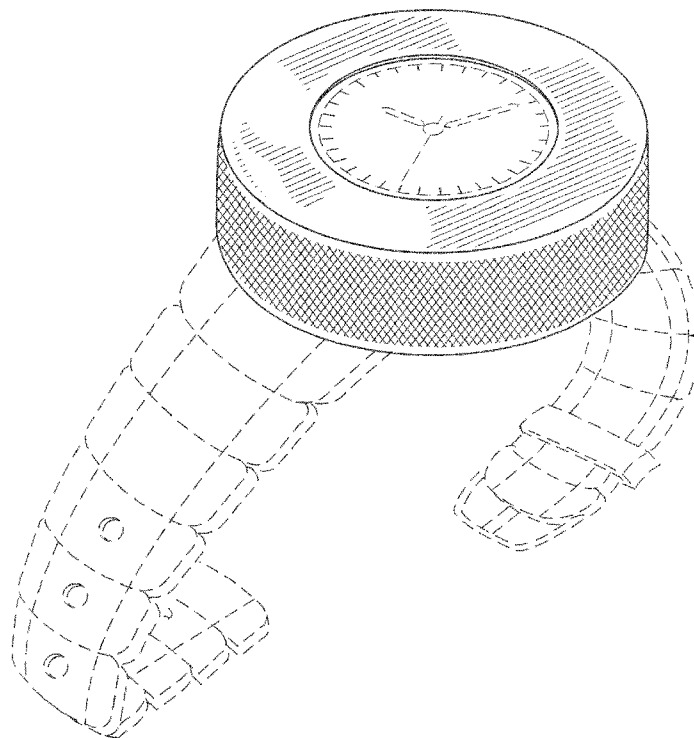
FIG. 5 is a left side elevation thereof;

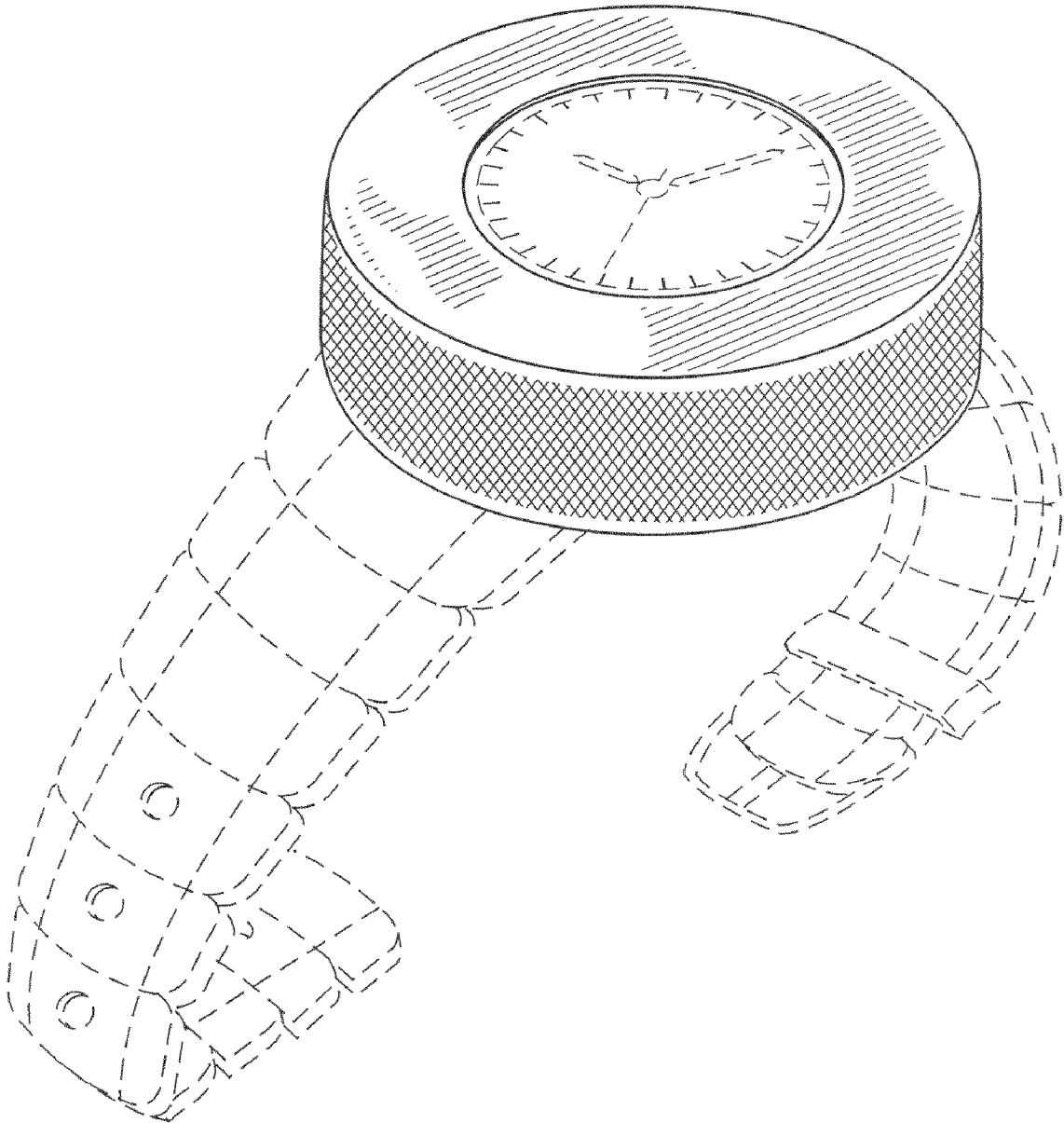
FIG. 6 is a front elevation thereof; and,

FIG. 7 is a rear elevation thereof.

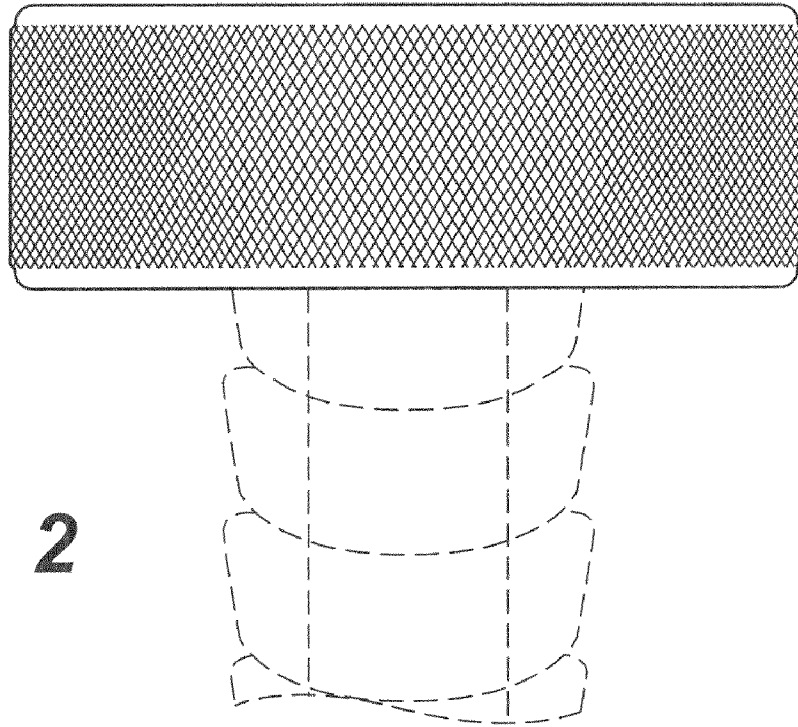
The broken lines shown in the drawings are for illustrative purposes only and form no part of the claimed design.

**1 Claim, 5 Drawing Sheets**

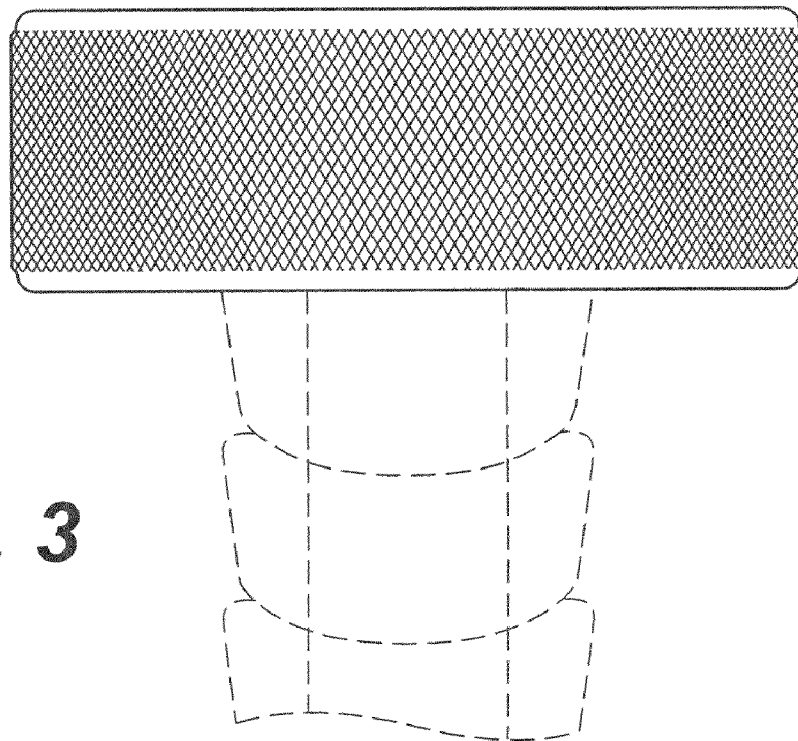




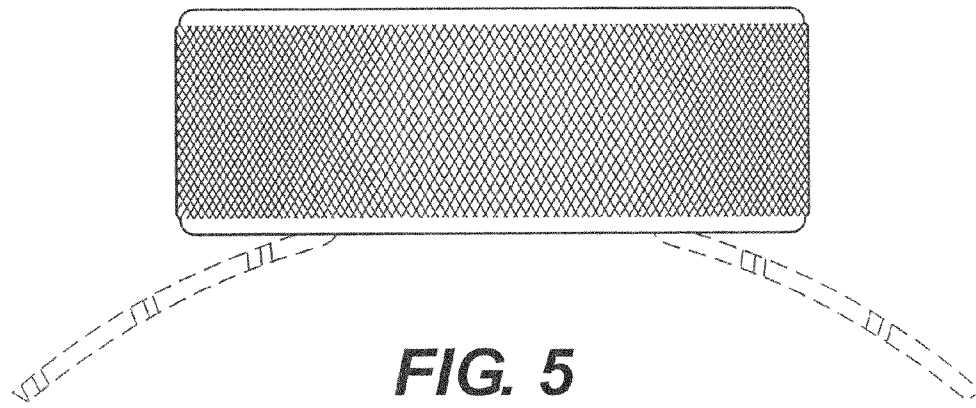
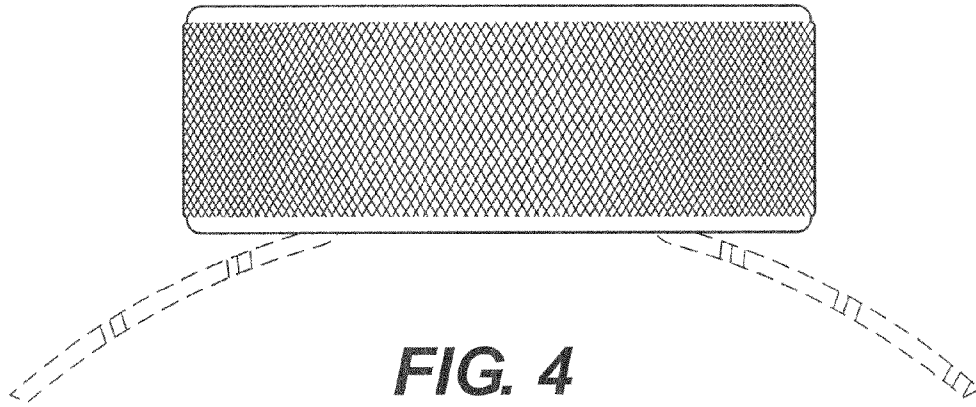
**FIG. 1**

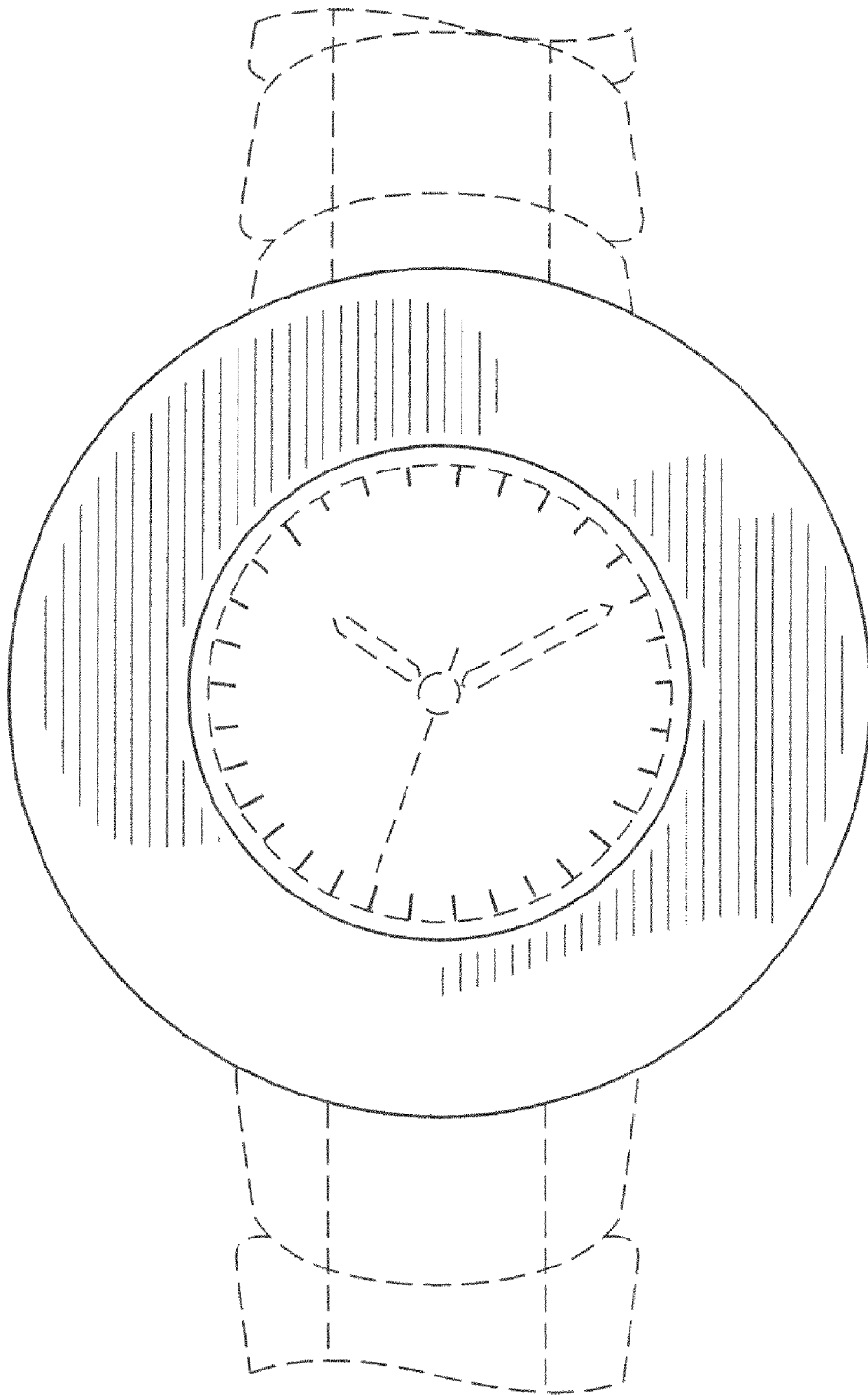


**FIG. 2**

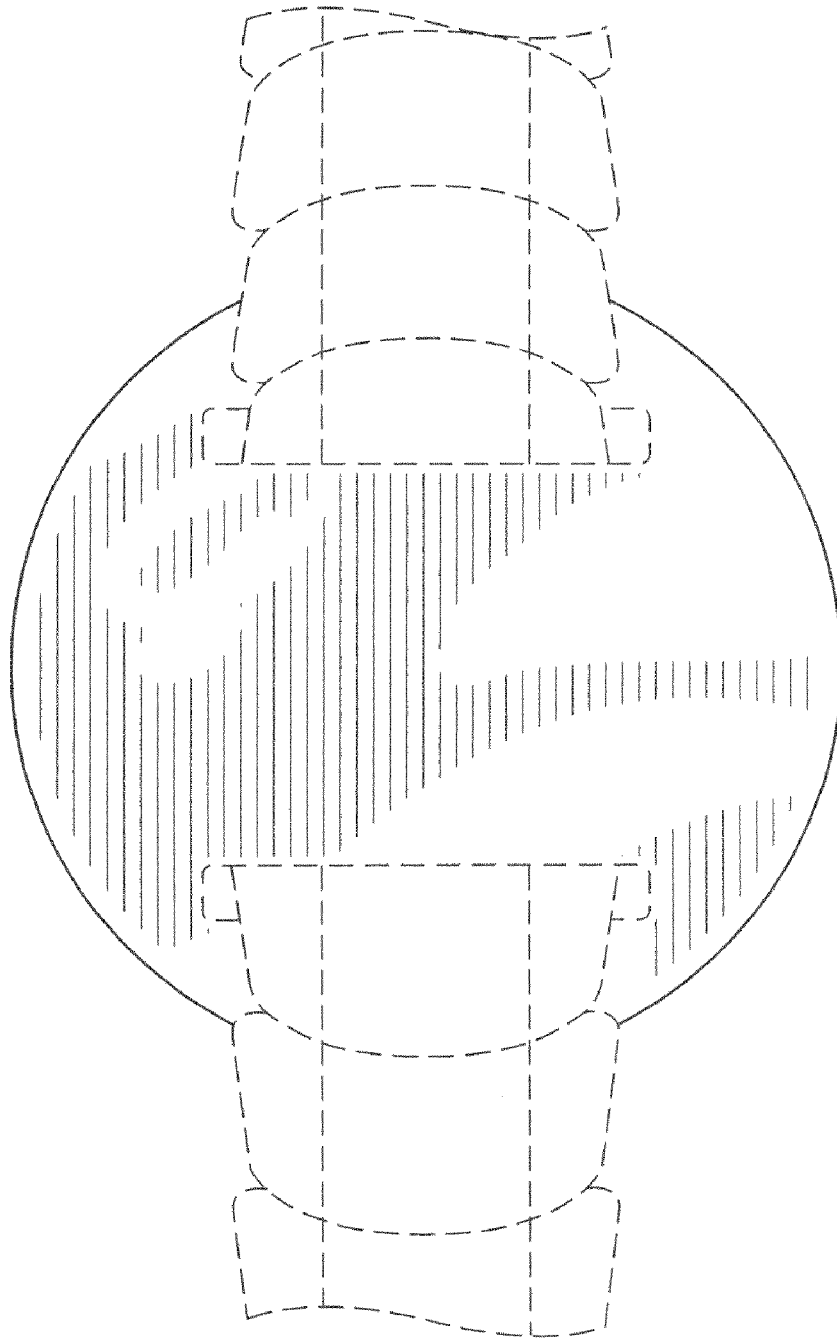


**FIG. 3**





**FIG. 6**



**FIG. 7**