

(19) World Intellectual Property Organization
International Bureau



(43) International Publication Date
26 May 2006 (26.05.2006)

PCT

(10) International Publication Number
WO 2006/055280 A3

- (51) International Patent Classification:
H04Q 7/20 (2006.01)
- (21) International Application Number:
PCT/US2005/040036
- (22) International Filing Date:
7 November 2005 (07.11.2005)
- (25) Filing Language: English
- (26) Publication Language: English
- (30) Priority Data:
10/989,477 15 November 2004 (15.11.2004) US
- (71) Applicant (for all designated States except US): **MO-TOROLA, INC.** [US/US]; 1303 East Algonquin Road, Schaumburg, Illinois 60196 (US).
- (72) Inventors; and
- (75) Inventors/Applicants (for US only): **ARMBRUSTER, Peter, J.** [US/US]; 4914 W. Flint Street, Chandler, Arizona 85226 (US). **SASUTA, Michael, D.** [US/US]; 1661 Blackburn Drive, Mundelein, Illinois 60060 (US). **WILD, Johanna, A.** [DE/DE]; Seitzstr. 17, 80538 Munich (DE).
- (74) Agents: **MAY, Steven, A.** et al.; 1303 East Algonquin Road, Schaumburg, Illinois 60196 (US).

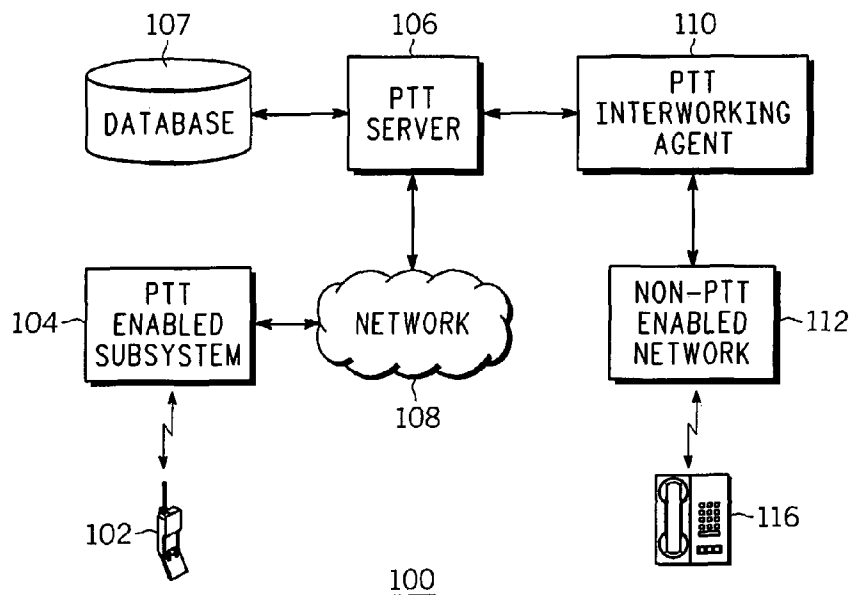
- (81) Designated States (unless otherwise indicated, for every kind of national protection available): AE, AG, AL, AM, AT, AU, AZ, BA, BB, BG, BR, BW, BY, BZ, CA, CH, CN, CO, CR, CU, CZ, DE, DK, DM, DZ, EC, EE, EG, ES, FI, GB, GD, GE, GH, GM, HR, HU, ID, IL, IN, IS, JP, KE, KG, KM, KN, KP, KR, KZ, LC, LK, LR, LS, LT, LU, LV, LY, MA, MD, MG, MK, MN, MW, MX, MZ, NA, NG, NI, NO, NZ, OM, PG, PH, PL, PT, RO, RU, SC, SD, SE, SG, SK, SL, SM, SY, TJ, TM, TN, TR, TT, TZ, UA, UG, US, UZ, VC, VN, YU, ZA, ZM, ZW.
- (84) Designated States (unless otherwise indicated, for every kind of regional protection available): ARIPO (BW, GH, GM, KE, LS, MW, MZ, NA, SD, SL, SZ, TZ, UG, ZM, ZW), Eurasian (AM, AZ, BY, KG, KZ, MD, RU, TJ, TM), European (AT, BE, BG, CH, CY, CZ, DE, DK, EE, ES, FI, FR, GB, GR, HU, IE, IS, IT, LT, LU, LV, MC, NL, PL, PT, RO, SE, SI, SK, TR), OAPI (BF, BJ, CF, CG, CI, CM, GA, GN, GQ, GW, ML, MR, NE, SN, TD, TG).

Published:

- with international search report
- before the expiration of the time limit for amending the claims and to be republished in the event of receipt of amendments

[Continued on next page]

(54) Title: METHOD AND APPARATUS FOR PROVIDING PUSH-TO-TALK SERVICES TO NON-PUSH-TO-TALK ENABLED NETWORKS



(57) Abstract: A method for providing push-to-talk (PTT) service between PTT enabled devices (102) and non-PTT enabled devices (116) is disclosed. First, the non-PTT enabled device is registered at a PTT interworking agent (110). Then, signaling data is received at an interface (110) in a first format. The signaling data includes an identifier corresponding to one or more destination phones. Next, the signaling data in the first format is converted to a second signaling protocol at the PTT interworking agent. The push-to-talk signaling information is sent to a push-to-talk server (106) and a destination address is located for each of the one or more phones associated with the signaling data. The signaling data is then routed to the one or more phones.

WO 2006/055280 A3



(88) Date of publication of the international search report:

11 January 2007

For two-letter codes and other abbreviations, refer to the "Guidance Notes on Codes and Abbreviations" appearing at the beginning of each regular issue of the PCT Gazette.

INTERNATIONAL SEARCH REPORT

International application No.

PCT/US05/40036

A. CLASSIFICATION OF SUBJECT MATTER

IPC: **H04Q 7/20(2006.01)**

USPC: 455/518,519

According to International Patent Classification (IPC) or to both national classification and IPC

B. FIELDS SEARCHED

Minimum documentation searched (classification system followed by classification symbols)

U.S. : 455/518,519

Documentation searched other than minimum documentation to the extent that such documents are included in the fields searched

Electronic data base consulted during the international search (name of data base and, where practicable, search terms used)

C. DOCUMENTS CONSIDERED TO BE RELEVANT

Category *	Citation of document, with indication, where appropriate, of the relevant passages	Relevant to claim No.
X --- Y	US 2004/0,219,940 A1 (KONG et al.) 4 November 2004 (4.11.2004), paragraphs 11-14, 27, 29-33.	1, 4-6, 10, 12-13, 16-18, 23 ----- 2-3, 7-9, 11, 14-15, 19-22
Y	US 6,763,226 B1 (McZEAL, Alfred Jr.) 13 July 2004 (13.07.2004), column 22, lines 1-12, 37-43; column 18, lines 35-38, abstract.	3, 7-9, 15, 19-22
Y	EP 1 655 977 A1 (AUFFRET, Jean- Marc) 05 November 2004(05.11.2004), paragraph 40.	2, 11, 14

Further documents are listed in the continuation of Box C.

See patent family annex.

* Special categories of cited documents:	
"A" document defining the general state of the art which is not considered to be of particular relevance	"T" later document published after the international filing date or priority date and not in conflict with the application but cited to understand the principle or theory underlying the invention
"E" earlier application or patent published on or after the international filing date	"X" document of particular relevance; the claimed invention cannot be considered novel or cannot be considered to involve an inventive step when the document is taken alone
"L" document which may throw doubts on priority claim(s) or which is cited to establish the publication date of another citation or other special reason (as specified)	"Y" document of particular relevance; the claimed invention cannot be considered to involve an inventive step when the document is combined with one or more other such documents, such combination being obvious to a person skilled in the art
"O" document referring to an oral disclosure, use, exhibition or other means	"&" document member of the same patent family
"P" document published prior to the international filing date but later than the priority date claimed	

Date of the actual completion of the international search

12 September 2006 (12.09.2006)

Date of mailing of the international search report

30 OCT 2006

Name and mailing address of the ISA/US

Mail Stop PCT, Attn: ISA/US
Commissioner for Patents
P.O. Box 1450
Alexandria, Virginia 22313-1450

Facsimile No. (571) 273-3201

Authorized officer

Angelica Perez

Telephone No. (571)2727885

