

(19) World Intellectual Property Organization
International Bureau



(43) International Publication Date
15 February 2007 (15.02.2007)

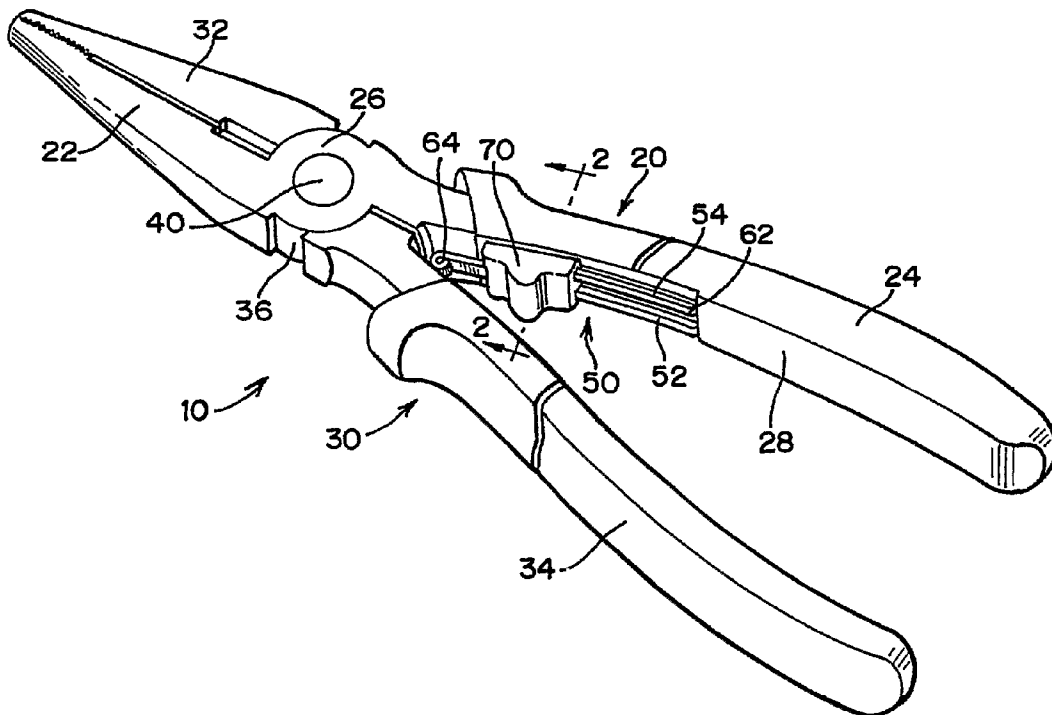
PCT

(10) International Publication Number
WO 2007/018700 A3

- (51) **International Patent Classification:**
B25B 7/02 (2006.01) *B25B 7/00* (2006.01)
- (21) **International Application Number:**
PCT/US2006/021713
- (22) **International Filing Date:** 5 June 2006 (05.06.2006)
- (25) **Filing Language:** English
- (26) **Publication Language:** English
- (30) **Priority Data:**
11/191,535 28 July 2005 (28.07.2005) US
- (71) **Applicant (for all designated States except US):** **HELEN OF TROY LIMITED** [BB/BB]; White Park House, White Park Road, Ro. Box 836E, Bridgetown, Barbados (BB).
- (72) **Inventors; and**
- (75) **Inventors/Applicants (for US only):** **DI BITONTO, Anthony** [CA/US]; 136 Hicks Street, No. 2B, Brooklyn, NY 11201 (US). **JACOBSEN, John, Thomas** [US/US]; 179 Orchard Street, New Bedford, MA 11201 (US). **LOOR, Wilfrido** [EC/US]; 470 5th Street, No. 2L, Brooklyn, NY 11215 (US).
- (74) **Agent:** **BURNS, Patrick, G.;** Greer, Burns & Crain, LTD., 300 South Wacker Drive, Suite 2500, Chicago, IL 60606 (US).
- (81) **Designated States (unless otherwise indicated, for every kind of national protection available):** AE, AG, AL, AM, AT, AU, AZ, BA, BB, BG, BR, BW, BY, BZ, CA, CH, CN, CO, CR, CU, CZ, DE, DK, DM, DZ, EC, EE, EG, ES, FI, GB, GD, GE, GH, GM, HR, HU, ID, IL, IN, IS, JP, KE, KG, KM, KN, KP, KR, KZ, LC, LK, LR, LS, LT, LU, LV, LY, MA, MD, MG, MK, MN, MW, MX, MZ, NA, NG, NI, NO, NZ, OM, PG, PH, PL, PT, RO, RS, RU, SC, SD, SE, SG, SK, SL, SM, SY, TJ, TM, TN, TR, TT, TZ, UA, UG, US, UZ, VC, VN, ZA, ZM, ZW
- (84) **Designated States (unless otherwise indicated, for every kind of regional protection available):** ARIPO (BW, GH, GM, KE, LS, MW, MZ, NA, SD, SL, SZ, TZ, UG, ZM, ZW), Eurasian (AM, AZ, BY, KG, KZ, MD, RU, TJ, TM), European (AT, BE, BG, CH, CY, CZ, DE, DK, EE, ES, FI, FR, GB, GR, HU, IE, IS, IT, LT, LU, LV, MC, NL, PL, PT, RO, SE, SI, SK, TR), OAPI (BF, BJ, CF, CG, CI, CM, GA, GN, GQ, GW, ML, MR, NE, SN, TD, TG).
- Published:**
— with international search report

[Continued on next page]

(54) **Title:** HAND TOOLS WITH SUPPRESSIBLE STAY-OPEN MECHANISM



(57) **Abstract:** A hand tool (10) has two crossed members (20,30) each having a handle (24,34) and a jaw (22,32) connected to each other at a pivot point (26). A leaf spring (60) biases the handles (24,34) towards an open position. The leaf spring (60) can be selectively engaged or disengaged by the user by selectively moving a slider (70) over the spring (60).

WO 2007/018700 A3



— *before the expiration of the time limit for amending the claims and to be republished in the event of receipt of amendments*

For two-letter codes and other abbreviations, refer to the "Guidance Notes on Codes and Abbreviations" appearing at the beginning of each regular issue of the PCT Gazette.

(88) Date of publication of the international search report:

31 May 2007

INTERNATIONAL SEARCH REPORT

International application No.

PCT/US06/21713

A. CLASSIFICATION OF SUBJECT MATTER IPC: B25B 7/02 (2006.01); B25B 7/00 (2006.01) USPC: 81/417,427 According to International Patent Classification (IPC) or to both national classification and EPC		
B. FIELDS SEARCHED Minimum documentation searched (classification system followed by classification symbols) U.S. : 81/417, 427, 427.5 Documentation searched other than minimum documentation to the extent that such documents are included in the fields searched Electronic data base consulted during the international search (name of data base and, where practicable, search terms used)		
C. DOCUMENTS CONSIDERED TO BE RELEVANT		
Category *	Citation of document, with indication, where appropriate, of the relevant passages	Relevant to claim No.
X	US 2,827,815 A (SMOYAK) 25 March 1958(25.03.1958), see entire document.	1
<input type="checkbox"/> Further documents are listed in the continuation of Box C. <input type="checkbox"/> See patent family annex.		
•	Special categories of cited documents;	"T" later document published after the international filing date or priority date and not in conflict with the application but cited to understand the principle or theory underlying the invention
"A"	document defining the general state of the art which is not considered to be of particular relevance	"X" document of particular relevance; the claimed invention cannot be considered novel or cannot be considered to involve an inventive step when the document is taken alone
"E"	earlier application or patent published on or after the international filing date	"Y" document of particular relevance; the claimed invention cannot be considered to involve an inventive step when the document is combined with one or more other such documents, such combination being obvious to a person skilled in the art
"L"	document which may throw doubts on priority claim(s) or which is cited to establish the publication date of another citation or other special reason (as specified)	"&" document member of the same patent family
"O"	document referring to an oral disclosure, use, exhibition or other means	
"P"	document published prior to the international filing date but later than the priority date claimed	
Date of the actual completion of the international search 15 March 2007 (15.03.2007)	Date of mailing of the international search report 30 MAR 2007	
Name and mailing address of the ISA/US Mail Stop PCT, Attn: ISA/US Commissioner for Patents P.O. Box 1450 Alexandria, Virginia 223 13- 1450 Facsimile No. (571) 273-3201	Authorized officer David B. Thomas Telephone No. (571) 272.3700	