



US00D858457S

(12) **United States Design Patent**  
**Maggard et al.**

(10) **Patent No.:** **US D858,457 S**

(45) **Date of Patent:** **\*\* Sep. 3, 2019**

- (54) **DESK CABLE HOLDER**
- (71) Applicant: **Fifth Street Goods LLC**, Sellersburg, IN (US)
- (72) Inventors: **Matthew Maggard**, Sellersburg, IN (US); **Austin Bisbee**, Appleton, WI (US); **Christian W Brown**, Loveland, CO (US)
- (73) Assignee: **TRADEMARK GLOBAL, LLC**, Lorain, OH (US)
- (\*\*) Term: **15 Years**
- (21) Appl. No.: **29/654,457**

- D649,864 S \* 12/2011 Symons ..... D8/356
- D691,875 S \* 10/2013 Ganski ..... D8/356
- D774,002 S \* 12/2016 Hsieh ..... D13/155
- D799,941 S \* 10/2017 Rothenberg ..... D8/356

\* cited by examiner

*Primary Examiner* — Derrick E Holland  
*Assistant Examiner* — Jennifer O King  
 (74) *Attorney, Agent, or Firm* — White-Welker & Welker, LLC; Matthew T. Welker, Esq.

(57) **CLAIM**

The ornamental design for a desk cable holder, as shown and described.

**DESCRIPTION**

FIG. 1 is a front elevation view of a desk cable holder, the rear view being a mirror image;  
 FIG. 2 is a top plan view thereof, the bottom view being a mirror image;  
 FIG. 3 is a left side elevation view thereof; the right side view being a mirror image;  
 FIG. 4 is a perspective view thereof;  
 FIG. 5 is a front elevation view thereof; shown in an open position, the rearview being a mirror image;  
 FIG. 6 is a top plan view thereof; shown in an open position;  
 FIG. 7 is a left side elevation view thereof; shown in an open position, the right side view being a mirror image;  
 FIG. 8 is a perspective view thereof; shown in an open position;  
 FIG. 9 is an exploded front elevation view thereof, the exploded rear view being a mirror image;  
 FIG. 10 is an exploded left side elevation view thereof, the exploded right side view being a mirror image; and,  
 FIG. 11 is an exploded perspective view thereof.

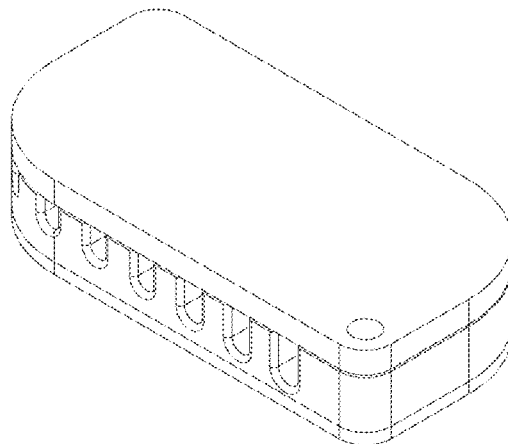
- (22) Filed: **Jun. 25, 2018**
- (51) **LOC (12) Cl.** ..... **13-03**
- (52) **U.S. Cl.** ..... **D13/155**
- USPC ..... **D13/155**
- (58) **Field of Classification Search**
- USPC ..... D8/356; D13/155, 156, 120–121, 123, D13/133, 154, 158, 160, 173, 178, 184, D13/199; 439/723, 752, 135, 149, 367
- CPC .... H02G 3/32; H01R 13/6392; H01R 13/424; H01R 13/426; H01R 13/4362; H01R 13/5213
- See application file for complete search history.

(56) **References Cited**

**U.S. PATENT DOCUMENTS**

- 2,650,948 A \* 9/1953 Findlay ..... F16L 3/2235  
174/168
- D209,329 S \* 11/1967 Coderre ..... D8/382
- 6,227,502 B1 \* 5/2001 Derman ..... F16L 3/2235  
248/68.1
- D488,054 S \* 4/2004 Myers ..... D8/356
- D644,501 S \* 9/2011 Chen ..... D8/356

**1 Claim, 10 Drawing Sheets**



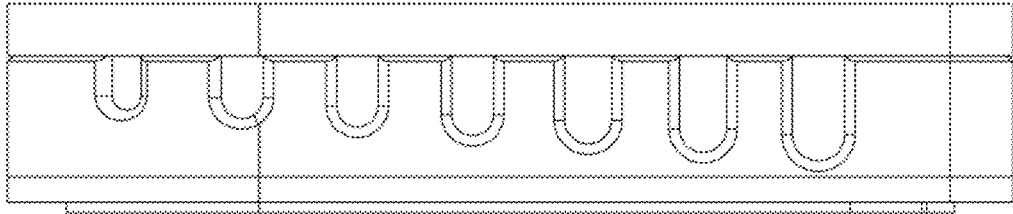


FIGURE 1



FIGURE 2

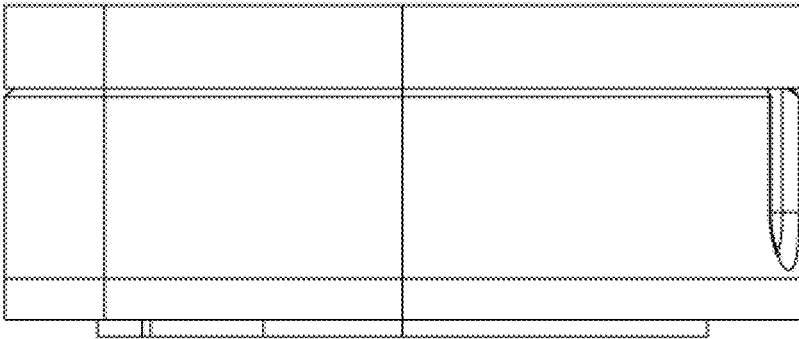


FIGURE 3

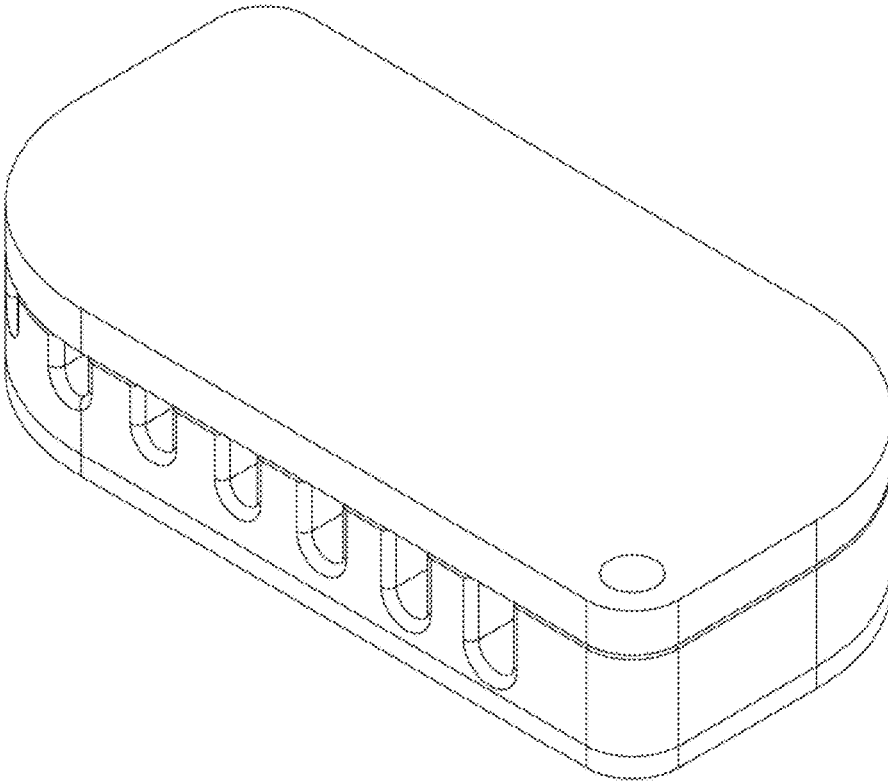


FIGURE 4

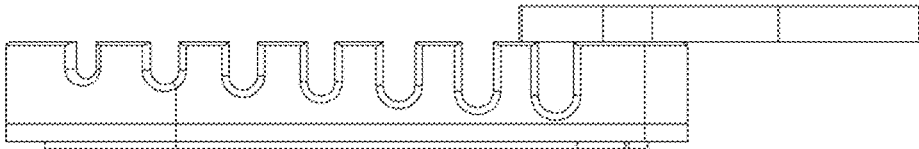


FIGURE 5

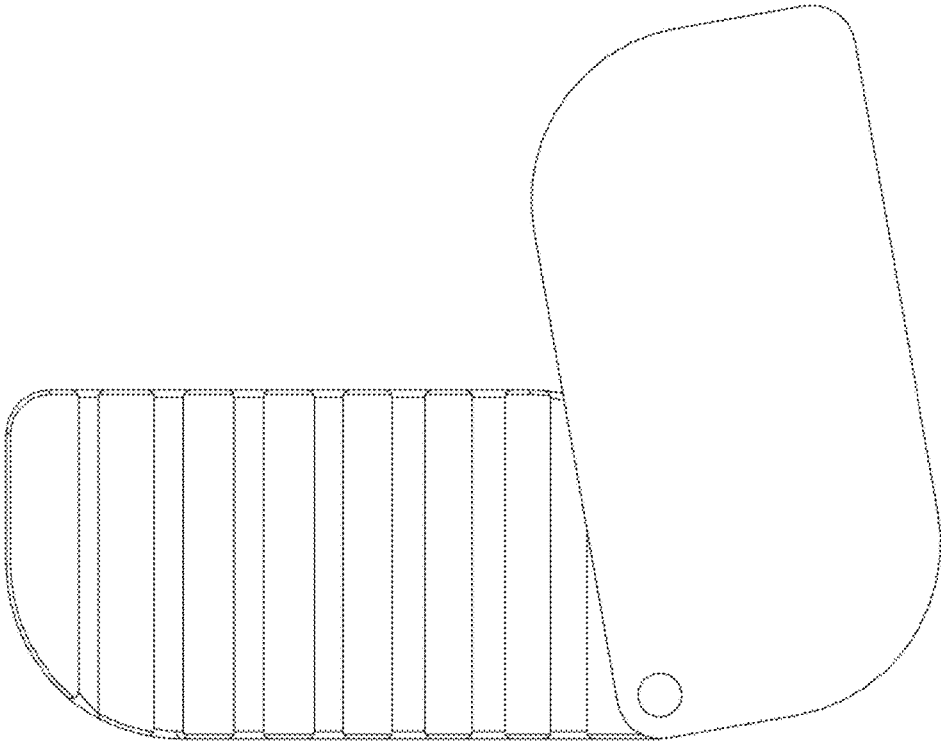


FIGURE 6

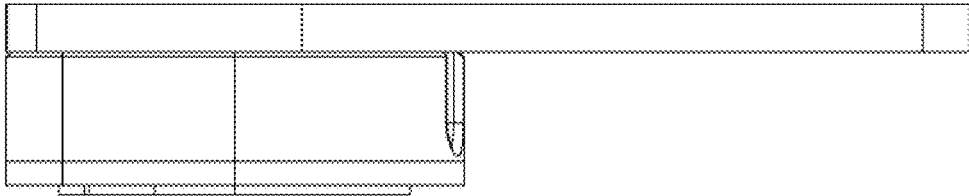


FIGURE 7

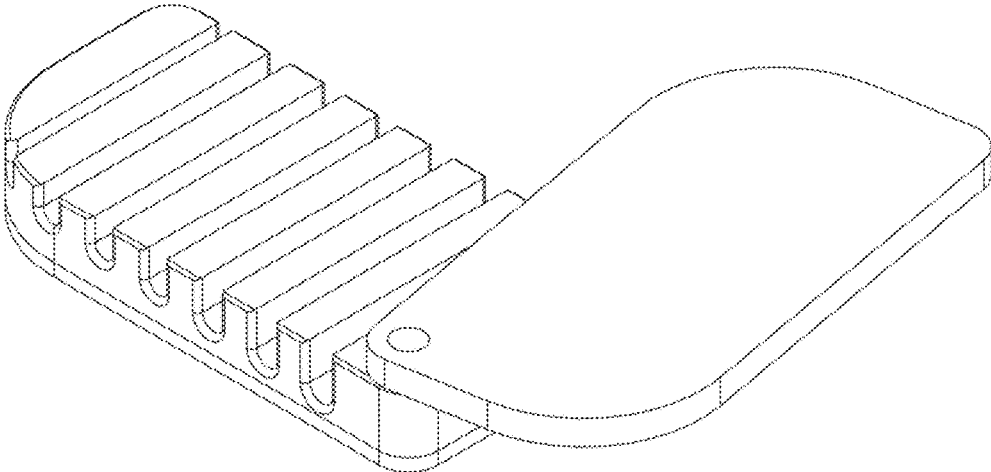


FIGURE 8



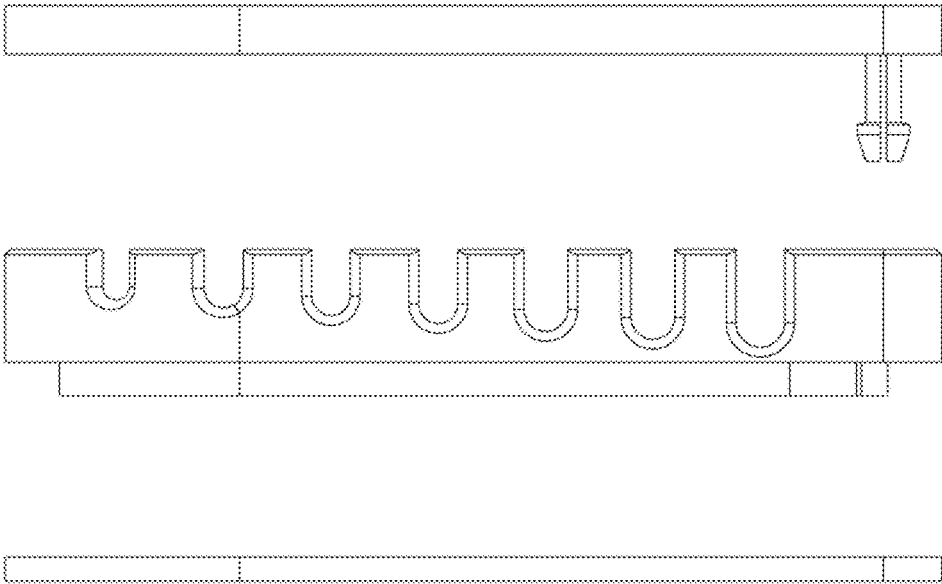


FIGURE 9

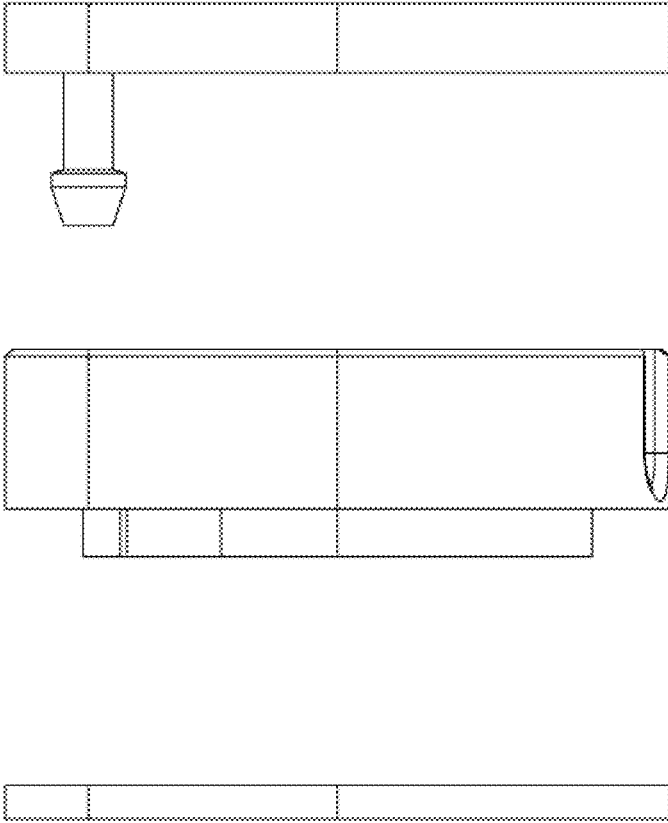


FIGURE 10

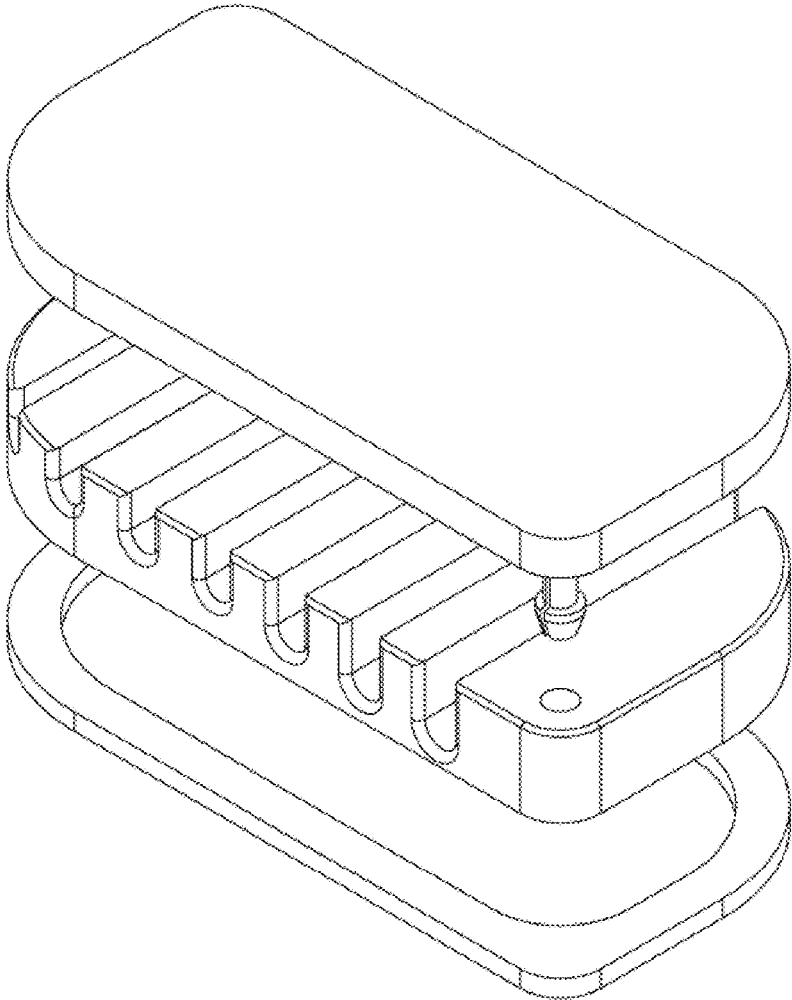


FIGURE 11