



US00D593102S

(12) **United States Design Patent**  
**Dearborn et al.**

(10) **Patent No.:** **US D593,102 S**

(45) **Date of Patent:** **\*\* May 26, 2009**

(54) **INFORMATION HANDLING SYSTEM BEZEL**

7,420,800 B1 \* 9/2008 Knapp et al. .... 361/679.55

(75) Inventors: **Timothy C. Dearborn**, Lakeway, TX (US); **Scott Lauffer**, Austin, TX (US); **Bryan K. Hunter**, Round Rock, TX (US); **Mark Gilson**, Austin, TX (US)

\* cited by examiner

*Primary Examiner*—Freda S Nunn  
(74) *Attorney, Agent, or Firm*—Stephen A. Terrile; Hamilton & Terrile, LLP

(73) Assignee: **Dell Products L.P.**, Round Rock, TX (US)

(57) **CLAIM**

(\*\*) Term: **14 Years**

The ornamental design for information handling system bezel, as shown and described.

(21) Appl. No.: **29/325,855**

**DESCRIPTION**

(22) Filed: **Oct. 7, 2008**

(51) **LOC (9) Cl.** ..... **14-02**

FIG. 1 is a front perspective view of the information handling system bezel comprising the present invention;

(52) **U.S. Cl.** ..... **D14/445; D14/313**

FIG. 2 is a front view thereof;

(58) **Field of Classification Search** ..... D14/441–446, D14/356, 313, 360–368; D13/162, 184, D13/199; 312/223.2; 361/686, 690–696, 361/679.55; 369/34.01, 36.01; D6/300

FIG. 3 is a right side view thereof;

FIG. 4 is a left side view thereof;

FIG. 5 is a back view thereof;

FIG. 6 is a top view thereof; and,

FIG. 7 is a bottom view thereof.

See application file for complete search history.

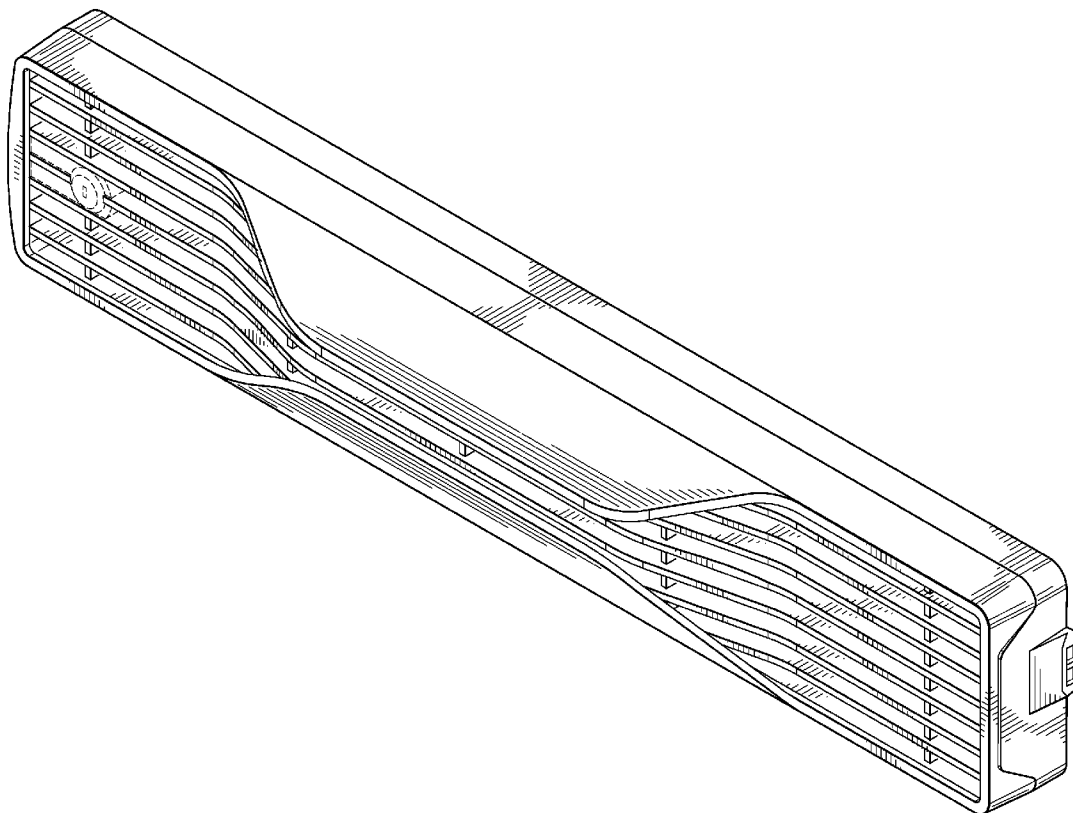
Broken lines shown in the drawings illustrate portions of the information handling system bezel, and form no part of the claimed design.

(56) **References Cited**

**U.S. PATENT DOCUMENTS**

- D564,523 S \* 3/2008 Chen et al. .... D14/442
- D564,525 S \* 3/2008 Chen et al. .... D14/442
- D576,167 S \* 9/2008 Dearborn et al. .... D14/444

**1 Claim, 3 Drawing Sheets**



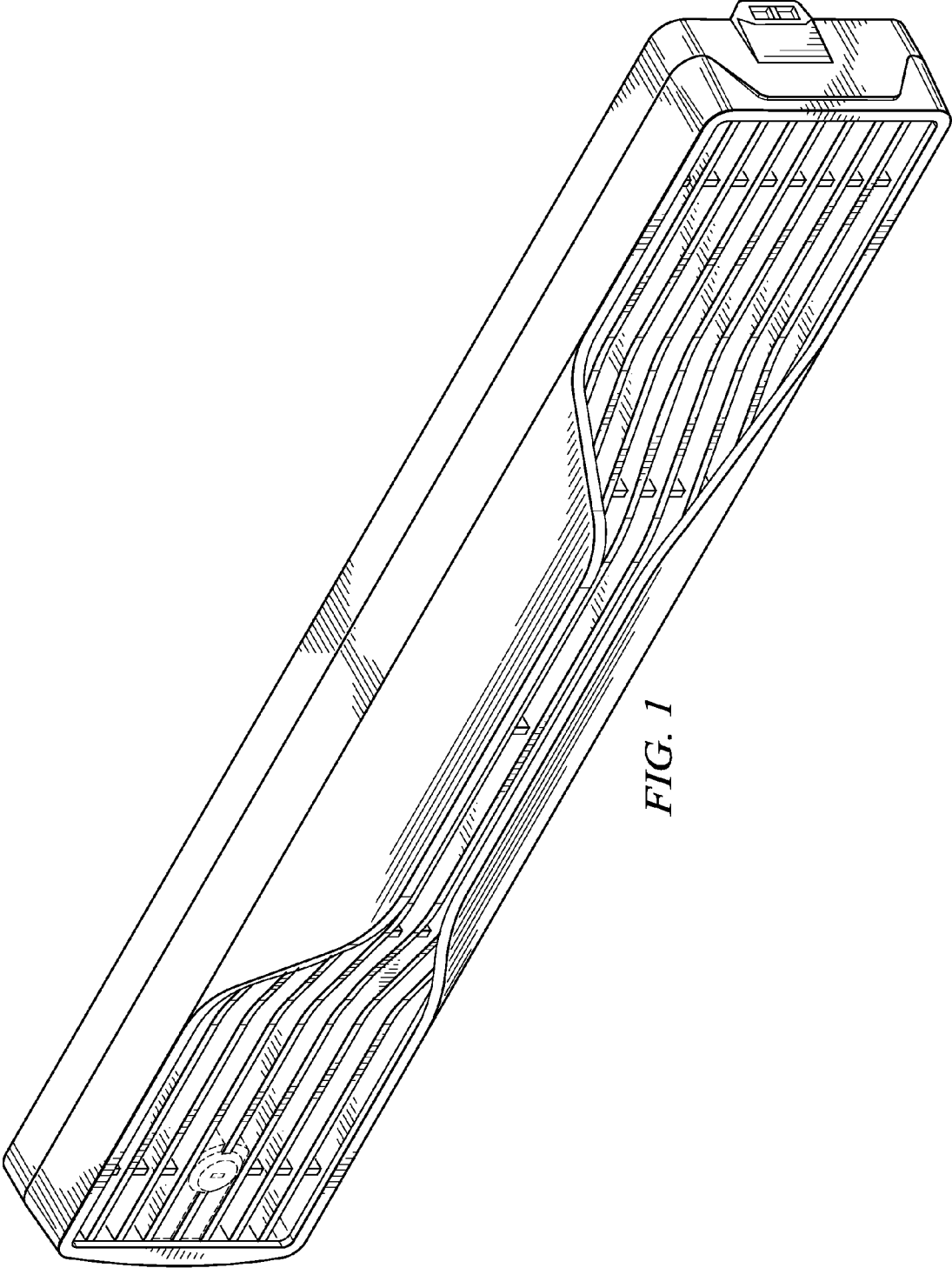


FIG. 1

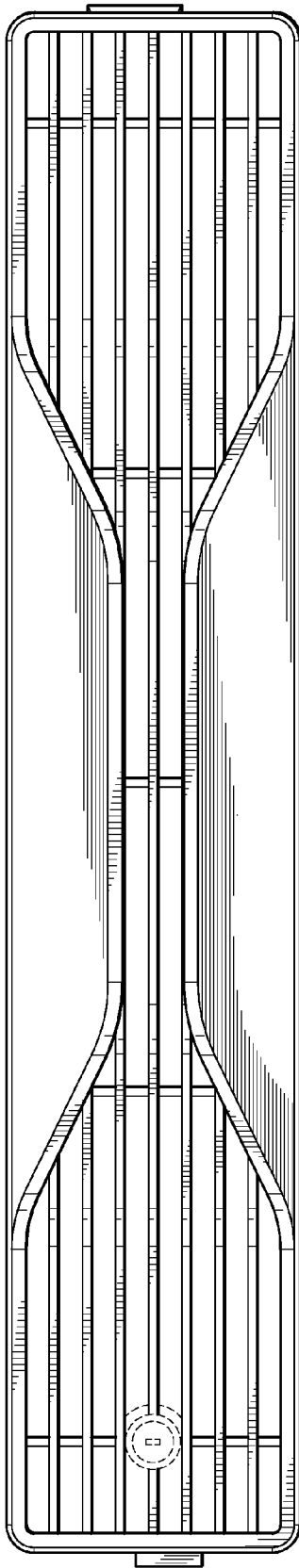


FIG. 2

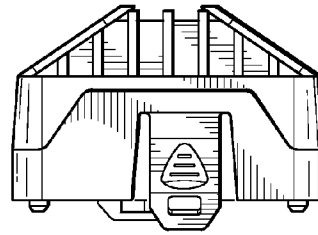


FIG. 4

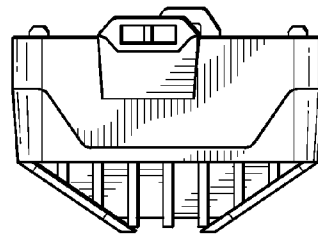


FIG. 3

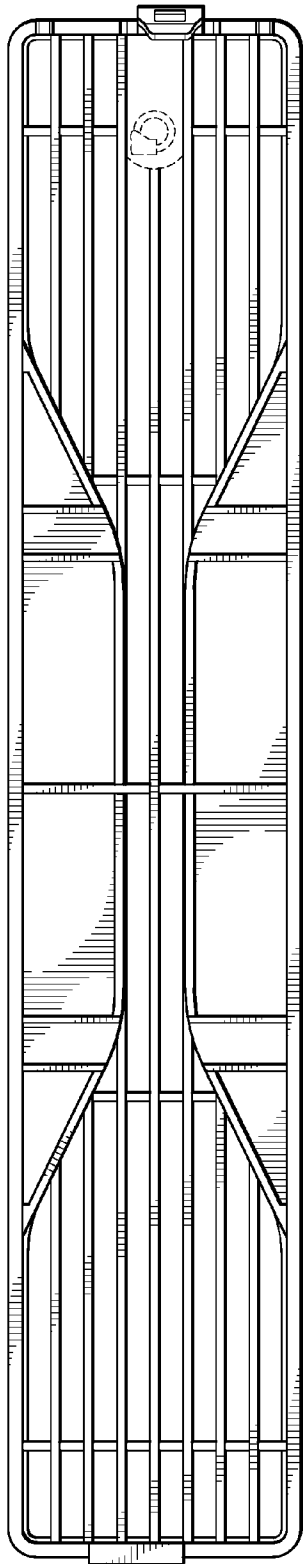


FIG. 5

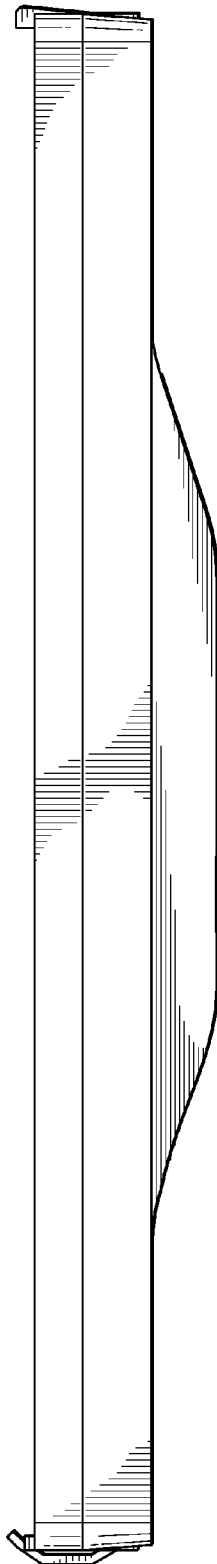


FIG. 6

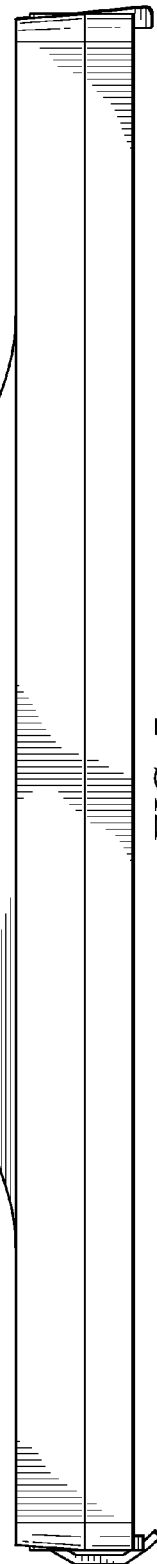


FIG. 7