



US00D563669S

(12) **United States Design Patent**
Bosak et al.

(10) **Patent No.:** **US D563,669 S**
(45) **Date of Patent:** **** Mar. 11, 2008**

(54) **TOOL KIT BOX**

(75) Inventors: **Michael Bosak**, East Longmeadow, MA (US); **Matthew Christopher Green**, Amherst, MA (US); **Lisa Fryer**, Kirkland, WA (US); **Peter Weremchuk**, South Windsor, CT (US)

(73) Assignee: **Irwin Industrial Tool Company**, Huntersville, NC (US)

(**) Term: **14 Years**

(21) Appl. No.: **29/232,538**

(22) Filed: **Jun. 21, 2005**

(51) **LOC (8) Cl.** **03-01**

(52) **U.S. Cl.** **D3/282; D3/905**

(58) **Field of Classification Search** D3/273–274, D3/276, 282–283, 294–297, 315, 905; 206/349, 206/372–373, 376, 379; 220/4.21–4.24
See application file for complete search history.

(56) **References Cited**

U.S. PATENT DOCUMENTS

D335,959 S	6/1993	Blake	
D360,757 S	8/1995	Snetting et al.	
D401,761 S	12/1998	Sandmann et al.	
D412,397 S	8/1999	Liu	
D440,043 S	* 4/2001	Miller et al.	D3/282
D460,860 S	7/2002	Wang Yao	
D462,520 S	9/2002	Snider	
D463,911 S	* 10/2002	Chen	D3/282
D477,912 S	8/2003	Cunningham et al.	

D478,209 S	8/2003	Chen	
D481,868 S	11/2003	Cunningham et al.	
D482,869 S	12/2003	Chen	
D484,309 S	12/2003	Lee	
D516,810 S	* 3/2006	Galletti	D3/282
D516,811 S	* 3/2006	Kahle et al.	D3/282
D523,635 S	* 6/2006	Chen	D3/282
D531,805 S	* 11/2006	Aglassinger	D3/315

* cited by examiner

Primary Examiner—Philip S. Hyder

Assistant Examiner—RoseLynne (Ulm) Cody

(74) *Attorney, Agent, or Firm*—McCarter & English, LLP

(57) **CLAIM**

We claim, the ornamental design for a tool kit box, as shown and described.

DESCRIPTION

FIG. 1 is a perspective view of a tool kit box in accordance with the present invention;

FIG. 2 is a front plan view of the tool kit box of FIG. 1;

FIG. 3 is a right side plan view thereof;

FIG. 4 is a left side plan view thereof;

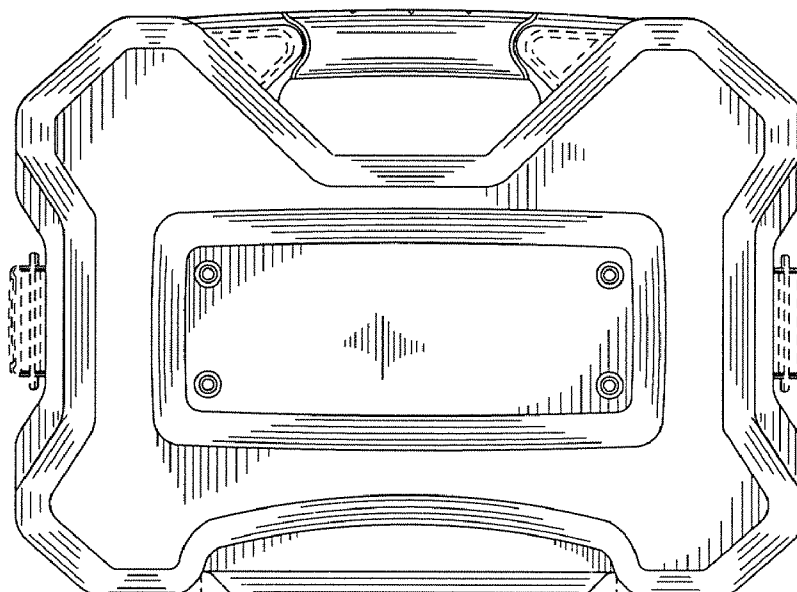
FIG. 5 is a top plan view thereof;

FIG. 6 is a bottom plan view thereof; and,

FIG. 7 is a back plan view thereof.

The broken lines in the figures show environmental structure only and form no part of the claimed design.

1 Claim, 3 Drawing Sheets



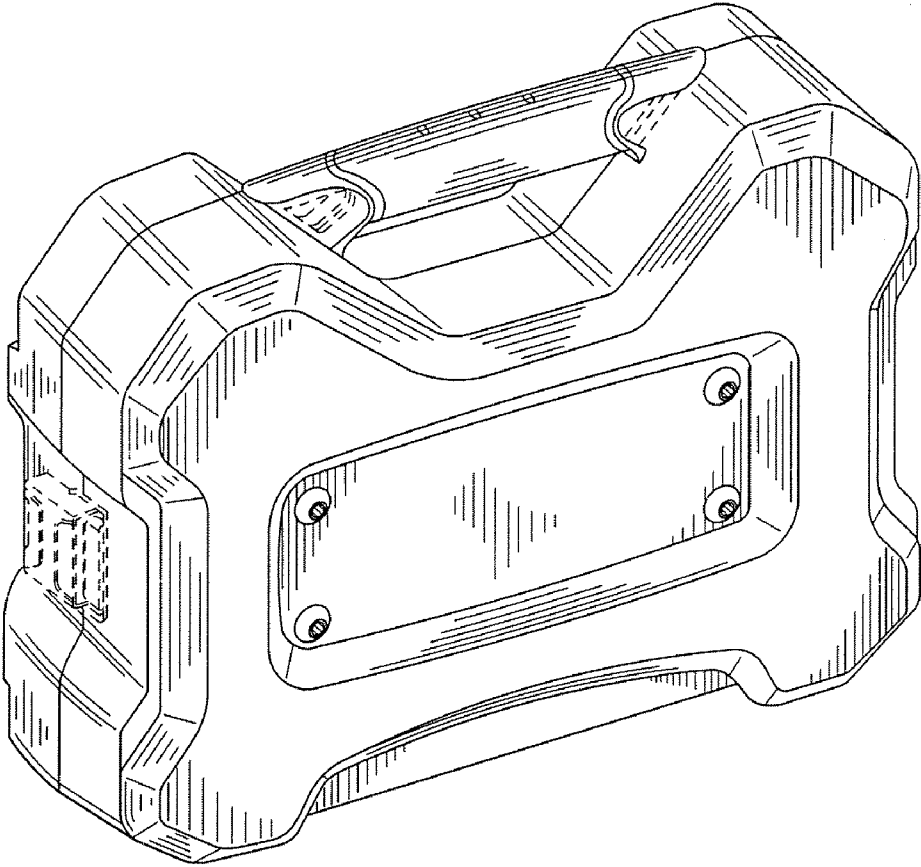


FIG. 1

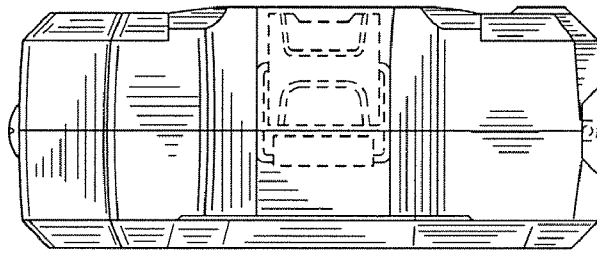


FIG. 3

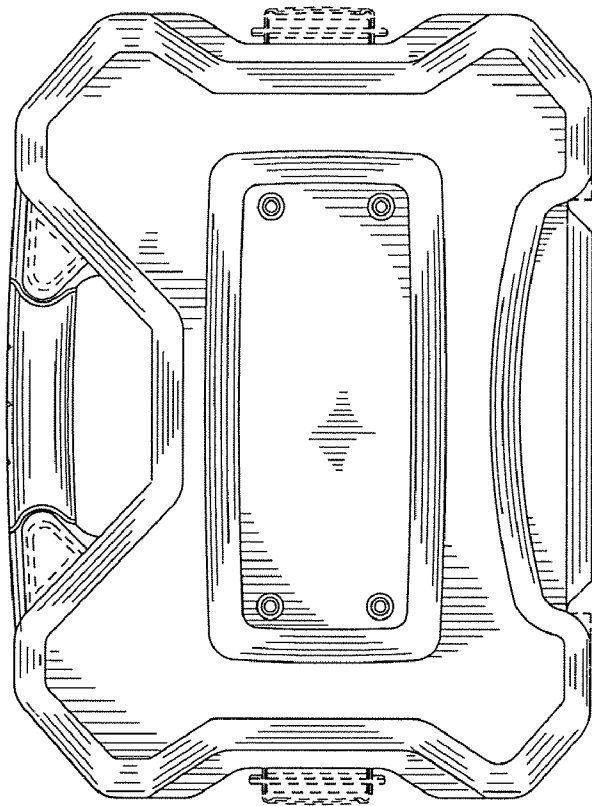


FIG. 2

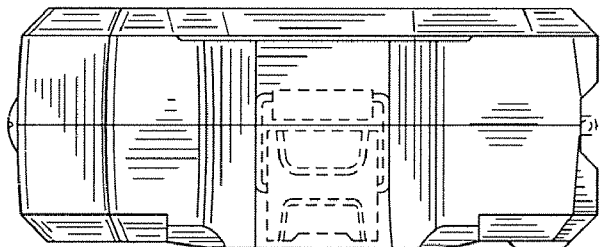


FIG. 4

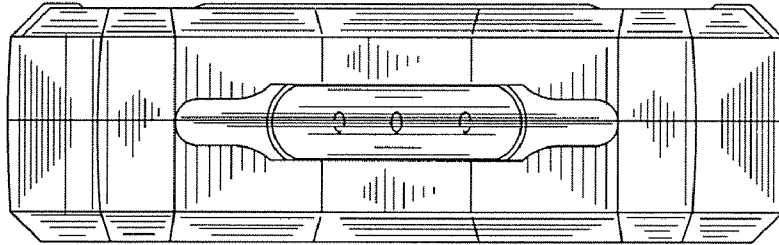


FIG. 5

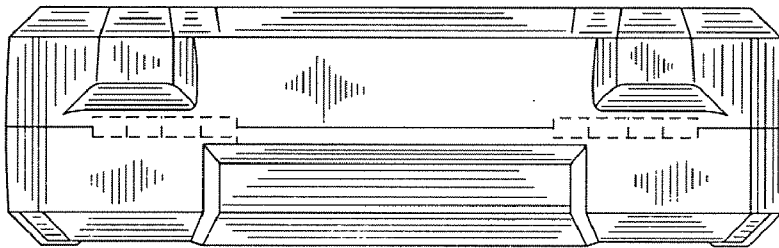


FIG. 6

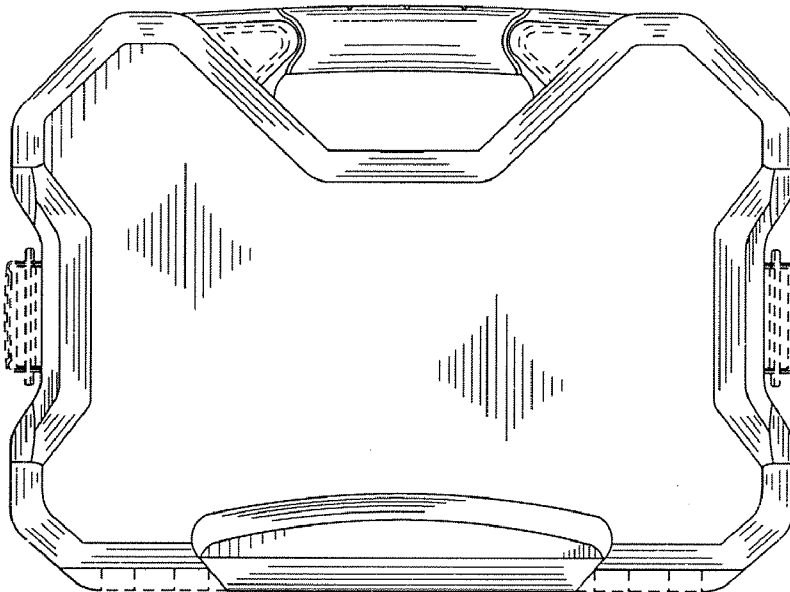


FIG. 7