

United States Patent [19]
Lönnstedt

[11] **Patent Number: Des. 298,476**

[45] **Date of Patent: ** Nov. 8, 1988**

[54] **VISOR FRAME FOR A PROTECTIVE HELMET**

[76] **Inventor: Bo G. Lönnstedt, Kvarnbergsvägen 23, S-141 45 Huddinge, Sweden**

[**] **Term: 14 Years**

[21] **Appl. No.: 835,308**

[22] **Filed: Feb. 21, 1986**

[30] **Foreign Application Priority Data**

Dec. 19, 1984 [SE] Sweden 84-3400

[52] **U.S. Cl. D29/16**

[58] **Field of Search D29/10, 14, 16, 12; 2/410, 424, 422, 9, 10**

[56] **References Cited**

U.S. PATENT DOCUMENTS

D. 250,496 12/1978 Odell et al. D29/16
D. 276,380 11/1984 Hellberg D29/14
D. 287,300 12/1986 Lönnstedt D29/16

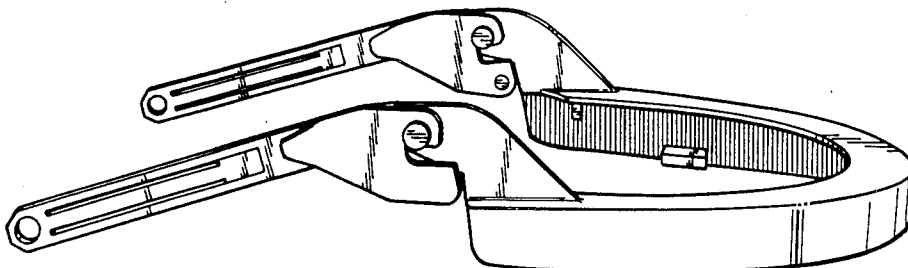
Primary Examiner—Carmen H. Vales
Attorney, Agent, or Firm—Young & Thompson

[57] **CLAIM**

The ornamental design for a visor frame for a protective helmet, as shown and described.

DESCRIPTION

FIG. 1 is a top perspective view of a visor frame for a protective helmet showing my new design; FIG. 2 is a bottom perspective view thereof; and FIG. 3 is a top plan view thereof.



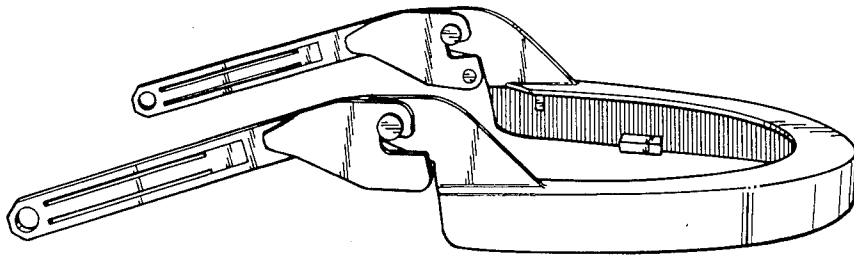


FIG. 1

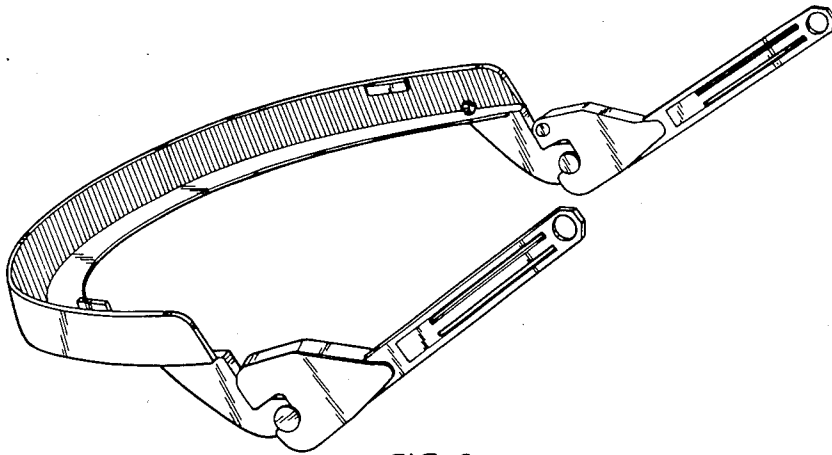


FIG. 2

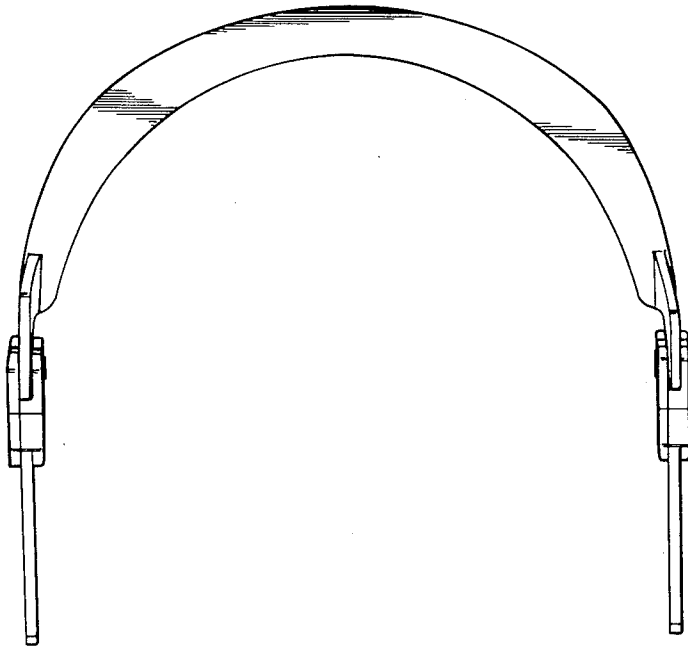


FIG. 3