



US00D97772S

(12) **United States Design Patent** (10) **Patent No.:** **US D977,772 S**  
**Swanson et al.** (45) **Date of Patent:** **\*\* Feb. 7, 2023**

(54) **PAINT CUP** D537,996 S \* 3/2007 Lundy ..... D32/53.1  
 7,191,913 B2 3/2007 Byrne  
 D617,517 S 6/2010 Bergman  
 D634,907 S 3/2011 Bergman  
 D661,855 S 6/2012 Bergman et al.  
 8,636,171 B1 \* 1/2014 Dattilo ..... B65D 23/06  
 220/731

(71) Applicant: **Marshalltown Company,**  
 Marshalltown, IA (US)

(72) Inventors: **Ashley Swanson,** Ankeny, IA (US);  
**John Reynolds,** Rogers, AR (US);  
**John Hughes,** Fayetteville, AR (US);  
**Mark Fulmer,** Fayetteville, AR (US)

(73) Assignee: **Marshalltown Company,**  
 Marshalltown, IA (US)

(\*\*) Term: **15 Years**  
 10,124,624 B2 11/2018 Gringer et al.  
 2006/0175362 A1 \* 8/2006 Gringer ..... B65D 25/48  
 222/570  
 2006/0219720 A1 \* 10/2006 Lundy ..... B44D 3/12  
 220/505  
 2007/0227245 A1 \* 10/2007 Green ..... G01F 23/56  
 222/1

(Continued)

(22) Filed: **Oct. 2, 2020**

(51) **LOC (14) Cl.** ..... **07-05**

(52) **U.S. Cl.**  
 USPC ..... **D32/53**

(58) **Field of Classification Search**  
 USPC ..... D32/53, 53.1  
 CPC .... B65D 25/2829; B44D 3/121; B44D 3/123;  
 B44D 3/128; B44D 3/12; B44D 3/126;  
 B44D 3/127  
 See application file for complete search history.

FOREIGN PATENT DOCUMENTS

GB 6126944 \* 3/2021  
*Primary Examiner* — Kevin K Rudzinski  
*Assistant Examiner* — Richard E Yenchesky  
 (74) *Attorney, Agent, or Firm* — Stinson LLP

(57) **CLAIM**

The ornamental design for a paint cup, as shown and described.

**DESCRIPTION**

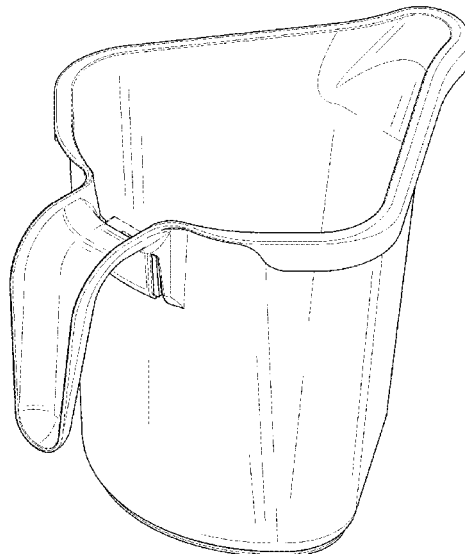
FIG. 1 is a perspective of a paint cup;  
 FIG. 2 is a front elevational view of the paint cup;  
 FIG. 3 is a top plan view of the paint cup;  
 FIG. 4 is a right elevational view of the paint cup;  
 FIG. 5 is a rear elevational view of the paint cup;  
 FIG. 6 is a bottom plan view of the paint cup; and,  
 FIG. 7 is a left elevational view of the paint cup.  
 Portions of the drawings shown in broken lines form no part of the claimed design.

**1 Claim, 7 Drawing Sheets**

(56) **References Cited**

U.S. PATENT DOCUMENTS

2,516,513 A \* 7/1950 Gall, Jr. .... G01F 19/002  
 215/DIG. 5  
 4,927,046 A \* 5/1990 Armstrong ..... B44D 3/121  
 220/736  
 D346,249 S \* 4/1994 Peltier, III ..... D32/53.1  
 5,549,216 A \* 8/1996 Scholl ..... B44D 3/12  
 222/572  
 6,138,963 A \* 10/2000 Malvasio ..... B44D 3/12  
 220/555  
 6,263,732 B1 \* 7/2001 Hoeting ..... G01F 19/002  
 33/1 V



(56)

**References Cited**

U.S. PATENT DOCUMENTS

2007/0295768 A1\* 12/2007 Gringer ..... B65D 25/2829  
222/570  
2013/0175281 A1\* 7/2013 Dattilo ..... B65D 1/14  
220/660

\* cited by examiner

FIG. 1

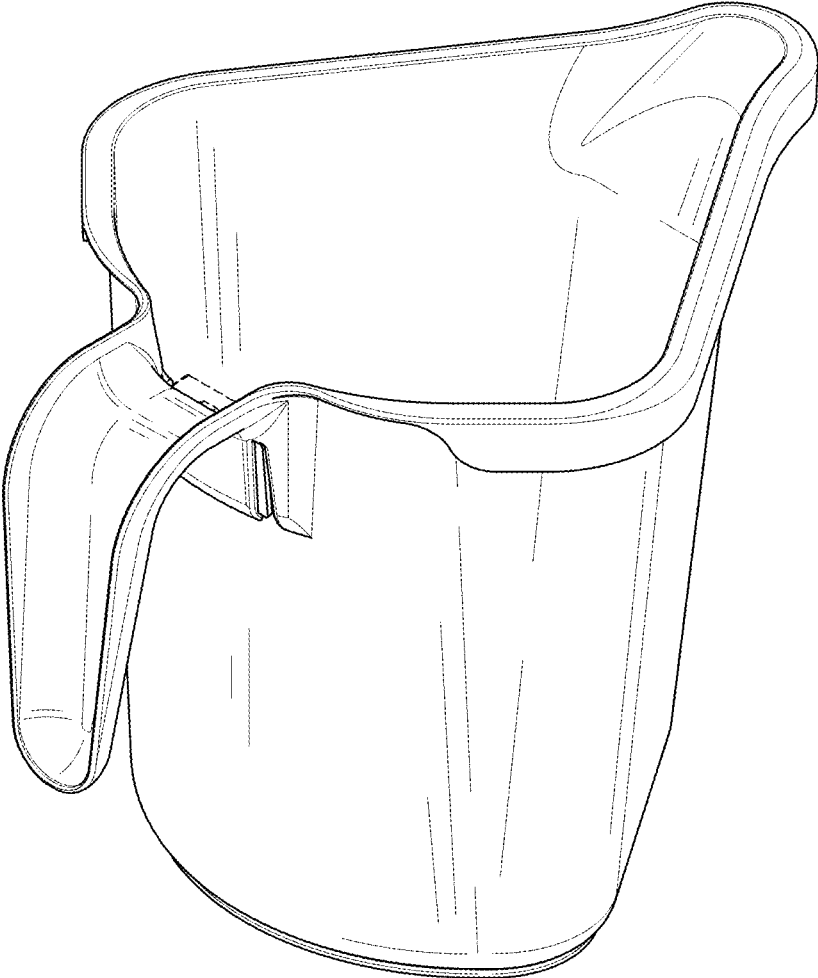


FIG. 2

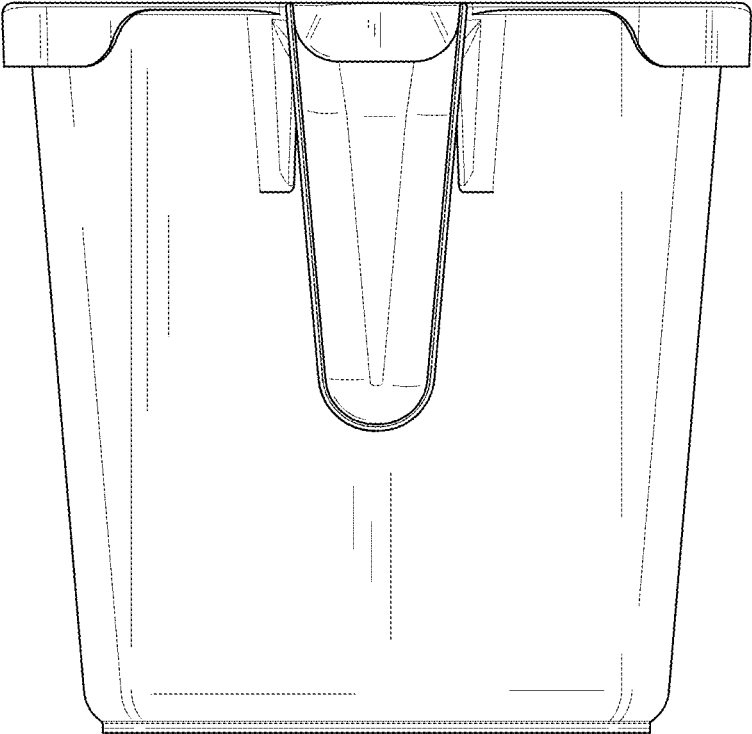


FIG. 3

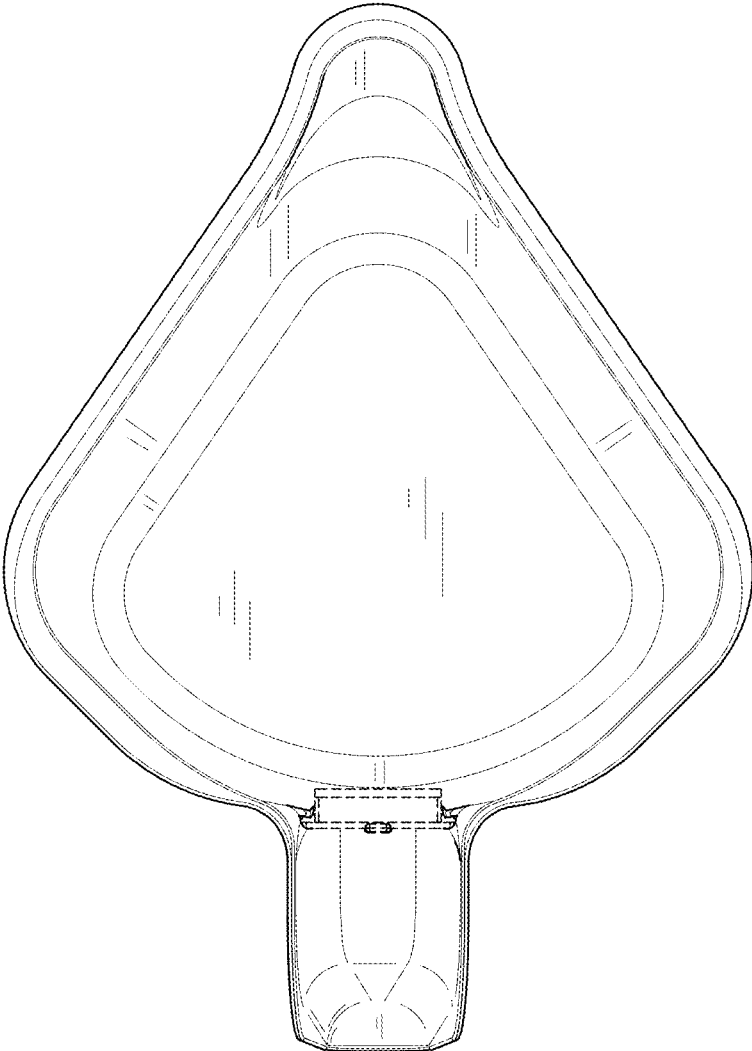


FIG. 4

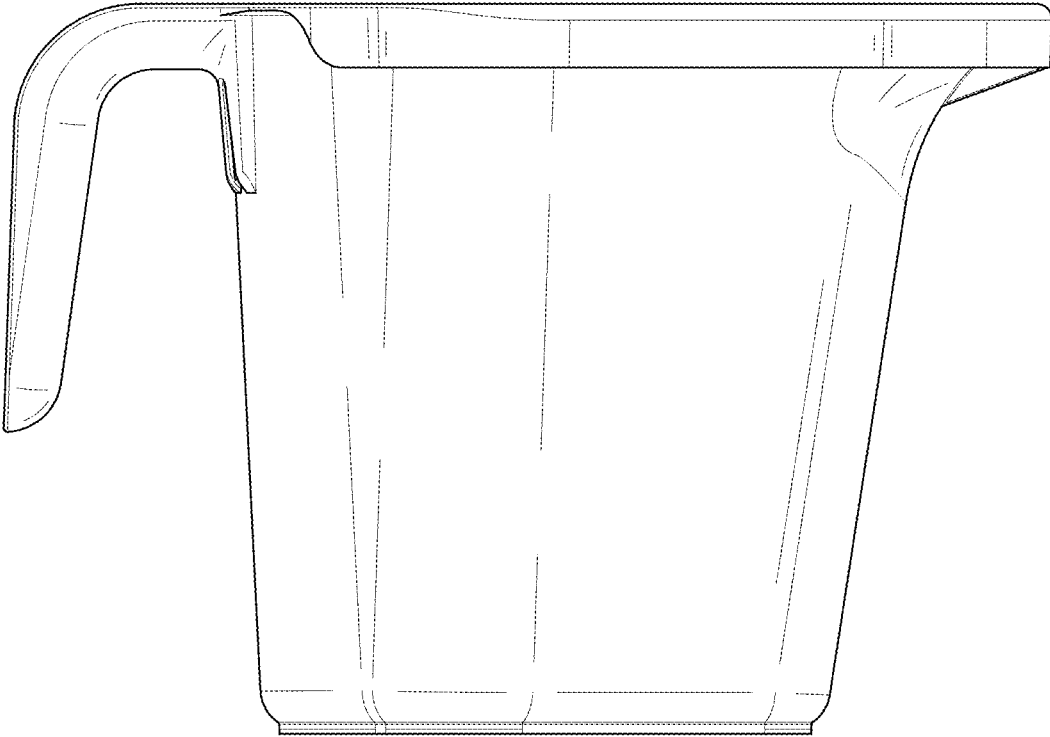


FIG. 5

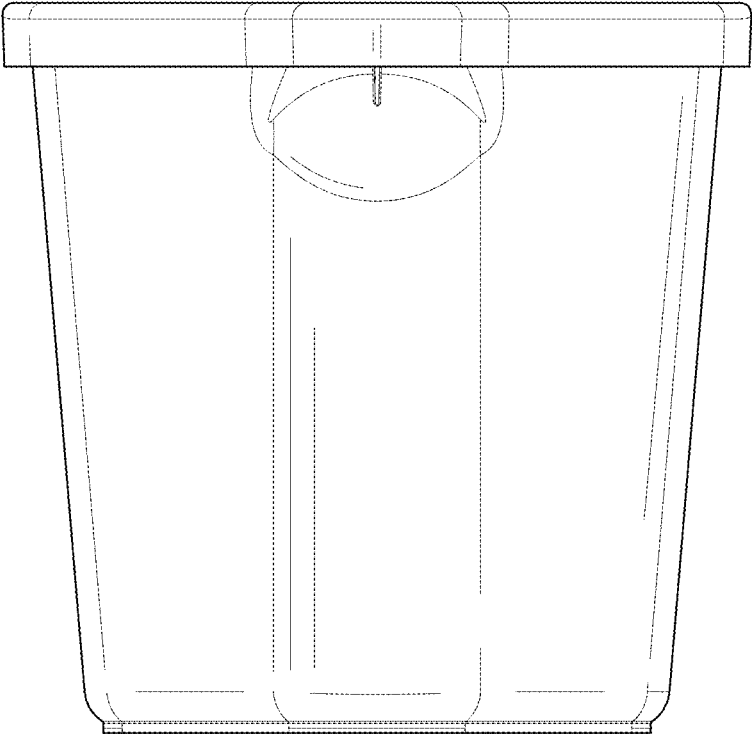


FIG. 6

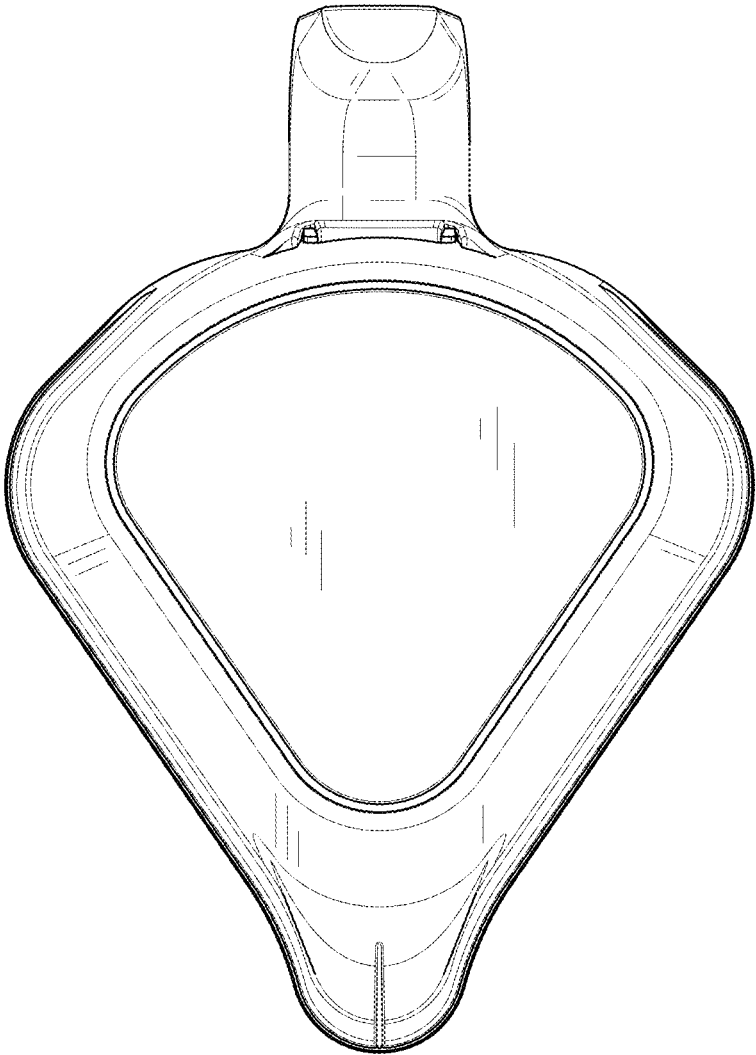




FIG. 7

