



US0D1035182S

(12) **United States Design Patent**
Ji et al.

(10) **Patent No.:** **US D1,035,182 S**
(45) **Date of Patent:** **** Jul. 9, 2024**

- (54) **AUTOMATIC CAT LITTER BOX**
- (71) Applicant: **UBTECH ROBOTICS CORP LTD,**
Shenzhen (CN)
- (72) Inventors: **Mingming Ji,** Shenzhen (CN); **Xinshui Huang,** Shenzhen (CN); **Kun Yang,** Shenzhen (CN)
- (73) Assignee: **UBTECH ROBOTICS CORP LTD,**
Shenzhen (CN)

5,662,066 A * 9/1997 Reitz A01K 1/0114
119/163
5,752,465 A * 5/1998 Page A01K 1/0114
119/166
6,126,015 A * 10/2000 Haymaker B07B 1/28
209/362

(Continued)

FOREIGN PATENT DOCUMENTS

CN 201930380297.2 * 6/2020
CN 202030102716.9 * 3/2021

(Continued)

(**) Term: **15 Years**

(21) Appl. No.: **29/832,729**

(22) Filed: **Mar. 29, 2022**

(51) **LOC (14) Cl.** **30-11**

(52) **U.S. Cl.**
USPC **D30/161**

(58) **Field of Classification Search**
USPC D30/108, 109, 110, 112, 117, 118, 161,
D30/162; D7/545, 554.3; D6/349
CPC A01K 1/011; A01K 1/0114; A01K 1/0117;
A01K 1/0107; B65F 1/04; B07B 1/02
See application file for complete search history.

(56) **References Cited**

U.S. PATENT DOCUMENTS

- 4,120,264 A * 10/1978 Carter A01K 1/0114
119/166
- 5,048,464 A * 9/1991 Shirley A01K 1/0114
209/362
- 5,107,797 A * 4/1992 LaRoche A01K 1/0114
209/296
- 5,509,379 A * 4/1996 Hoeschen A01K 1/0114
209/288
- 5,551,375 A * 9/1996 Flores A01K 1/0114
119/166

OTHER PUBLICATIONS

Boqii _ posted Oct. 9, 2021—retrieved May 2, 2024 _ Retrieved
from Internet _ <https://www.amazon.com/boqii-Cleaning-UltraLargeAutomaticMultiple/dp/B09J2KF6WT> (Year: 2021).*

(Continued)

Primary Examiner — Calvin E Vansant
Assistant Examiner — Sherry L Jones

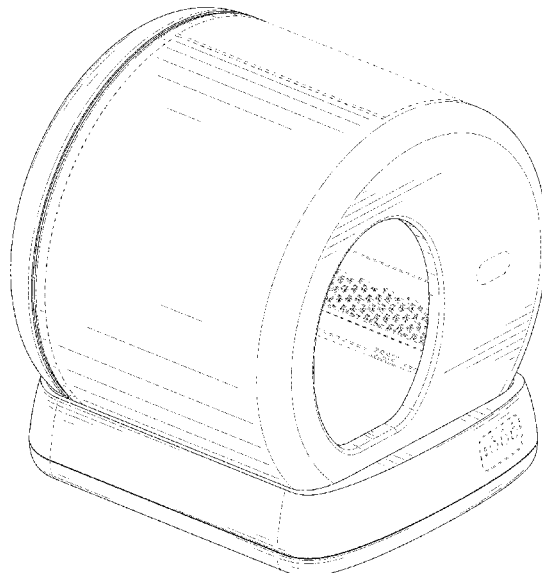
(57) **CLAIM**

The ornamental design for an automatic cat litter box, as shown and described.

DESCRIPTION

FIG. 1 is a first perspective view of an automatic cat litter box showing the claimed design in accordance with the present disclosure;
FIG. 2 is a second perspective view thereof;
FIG. 3 is a front elevational view thereof;
FIG. 4 is a rear elevational view thereof;
FIG. 5 is a left side elevational view thereof;
FIG. 6 is a right side elevational view thereof;
FIG. 7 is a top plan view thereof; and,
FIG. 8 is a bottom plan view thereof.
The broken lines in the Figures are for the purpose of illustrating portions of the article that form no part of the claimed design.

1 Claim, 8 Drawing Sheets



(56)

References Cited

U.S. PATENT DOCUMENTS

7,013,835 B2 * 3/2006 Brokaski A01K 1/0114
119/166
D583,517 S * 12/2008 Tycer D30/108
D650,533 S * 12/2011 Reick D30/108
8,413,608 B2 * 4/2013 Sharp A01K 29/00
119/166
8,757,094 B2 * 6/2014 Baxter A01K 1/011
119/168
D814,713 S * 4/2018 Kim D30/108
10,258,019 B1 * 4/2019 Bogart A01K 1/0114
D923,887 S * 6/2021 Wang D30/161
D942,095 S * 1/2022 Pietrusiak D30/161
D954,364 S * 6/2022 Gong D30/161
D1,012,383 S * 1/2024 Ohanian D30/158
2002/0139312 A1 * 10/2002 Reitz A01K 1/0114
119/165
2007/0227457 A1 * 10/2007 Waters A01K 1/0114
119/166
2008/0017123 A1 * 1/2008 Chin A01K 1/011
119/166
2013/0333625 A1 * 12/2013 Baxter A01K 1/011
119/166
2018/0077896 A1 * 3/2018 Couto A01K 1/0114
2020/0281154 A1 * 9/2020 Li A01K 1/011

FOREIGN PATENT DOCUMENTS

CN 202130464073.7 * 11/2021
CN 202130564483.9 * 12/2021
CN 202230018303.1 * 4/2022

OTHER PUBLICATIONS

Casa Leo Loo Too _ posted Nov. 29, 2021—retrieved May 2, 2024—Retrieved from Internet <https://www.amazon.com/Smarty-Pear-Automatic-Self-Cleaning-Charcoal/dp/B09LL9S99Bth=1&tag=rovetrx735-20> (Year: 2021).*

Litter Robot _ posted Dec. 17, 2021 _ retrieved May 2, 2024 _ Retrieved from Internet _ <https://www.litter-robot.com/litter-robot-double-bundle.html> (Year: 2021).*

Meowant—posted Aug. 1, 2022—retrieved Apr. 30, 2024 _ Retrieved from Internet _ <https://www.amazon.com/Self-Cleaning-Integrated-Protection-Automatic-Isolation/dp/B0B87Q6Y2V> (Year: 2022).*

Ubpet Self-Cleaning App and Camera—posted Sep. 4, 2023—retrieved Apr. 30, 2024 _ Retrieved from Internet _ <https://www.therefinedefeline.com/cat-litter-box-furniture-cabinets/product/automatic-self-cleaning-litter-box-app-camera/> (Year: 2023).*

Litter Spinner _ posted Jan. 30, 2018—retrieved May 2, 2024—Retrieved from Internet _ <https://www.chewy.com/litter-spinner-cat-litter-box-small/dp/157854> (Year: 2018).*

* cited by examiner

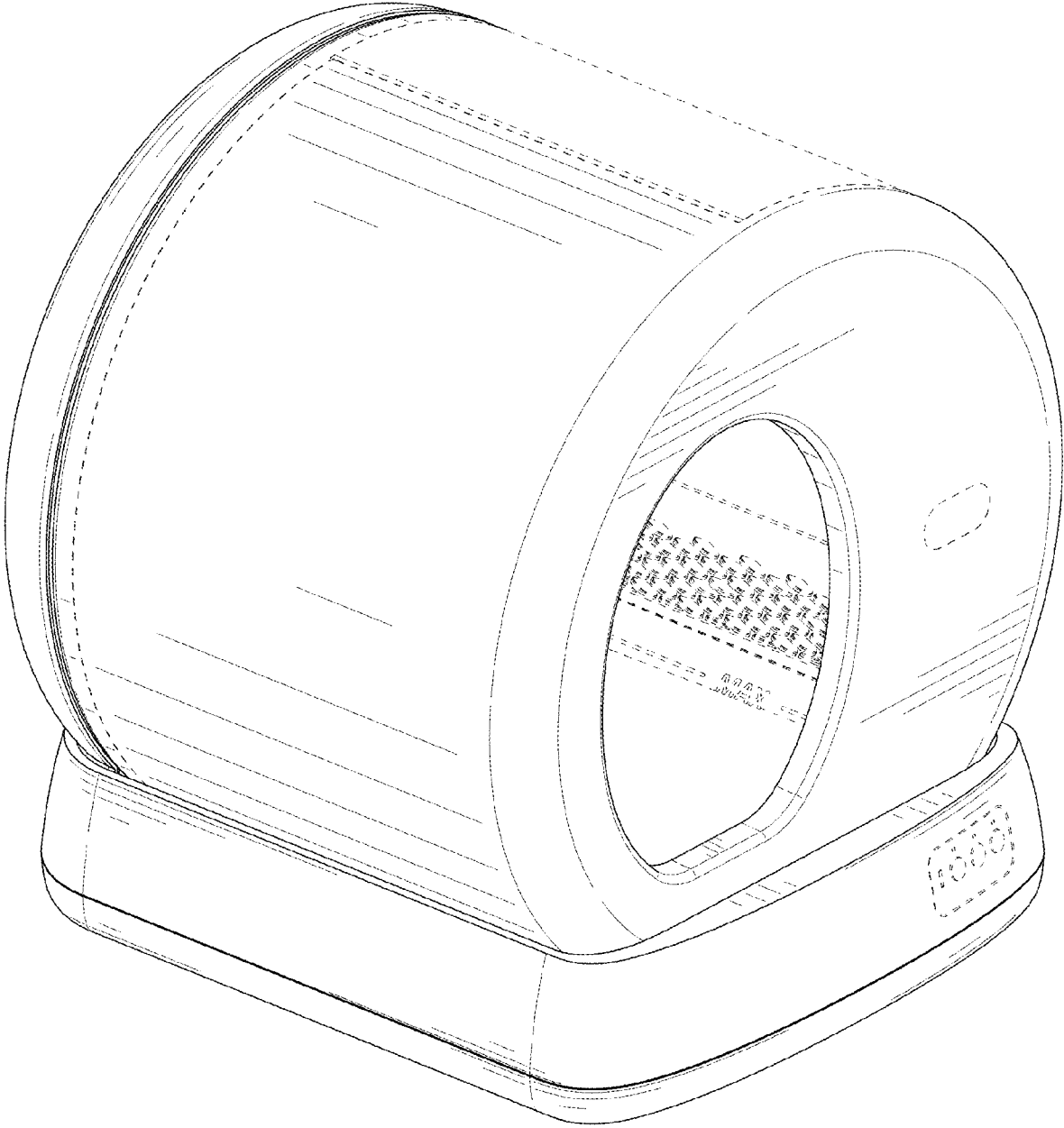


FIG. 1

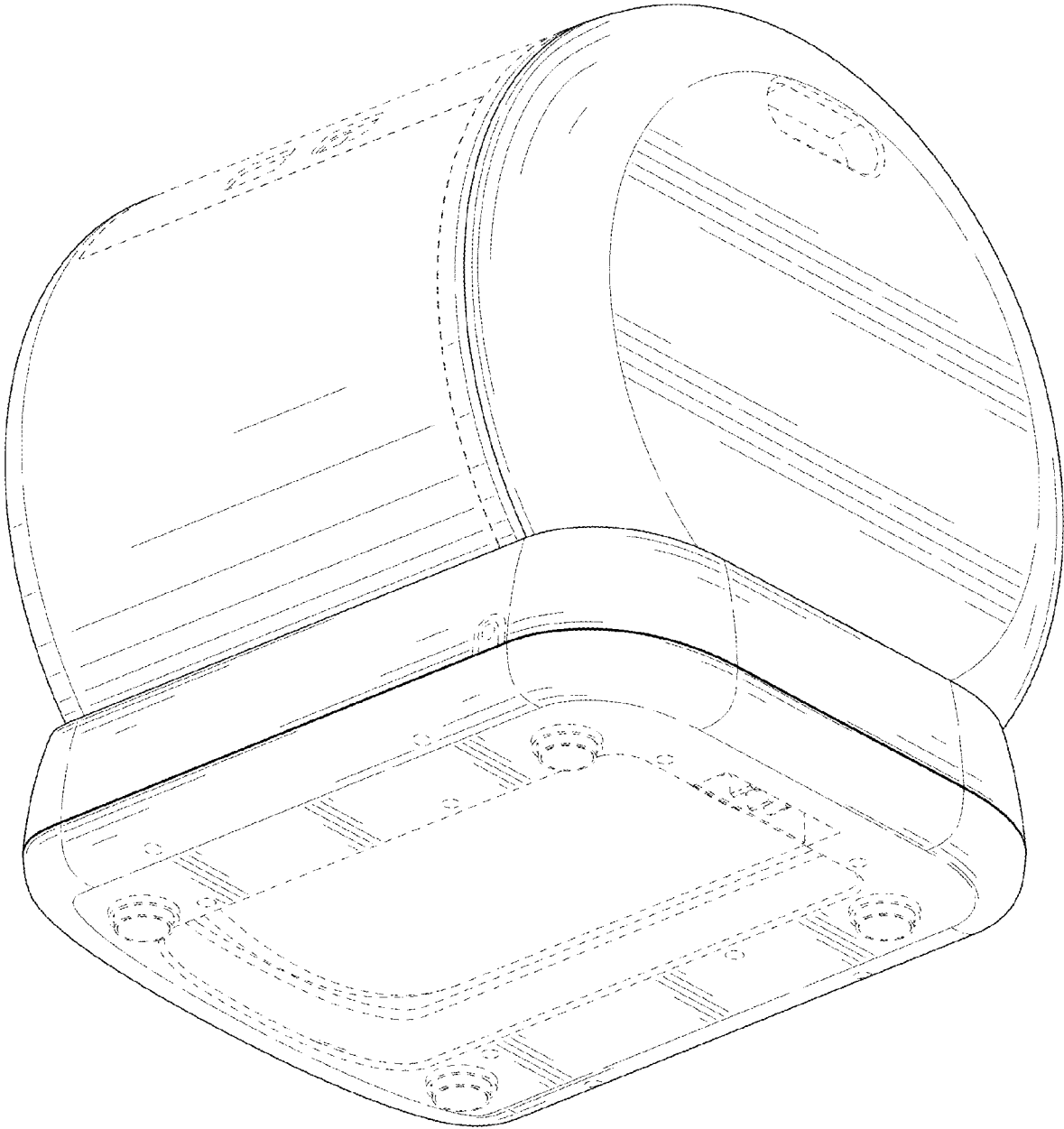


FIG. 2

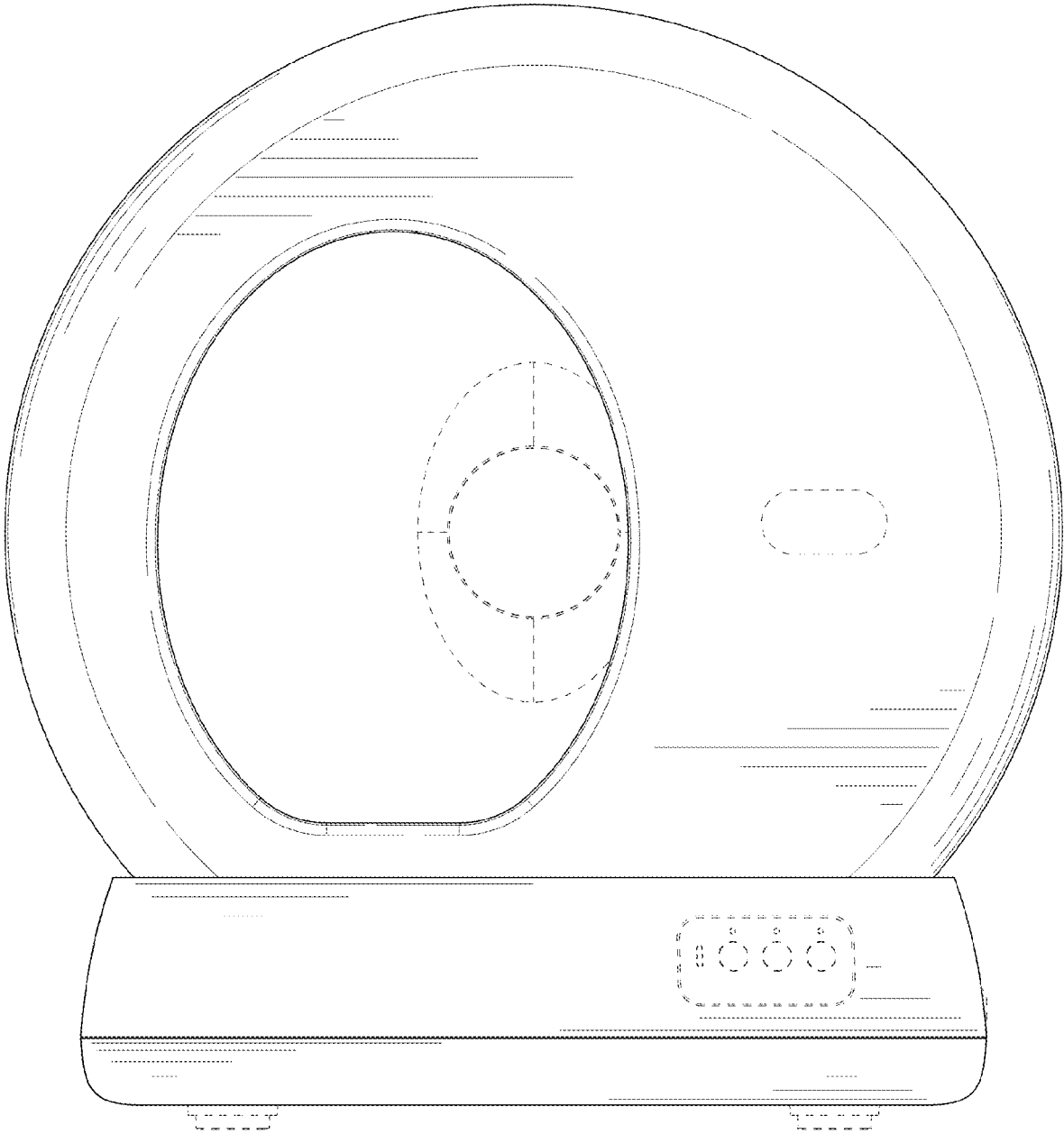


FIG. 3

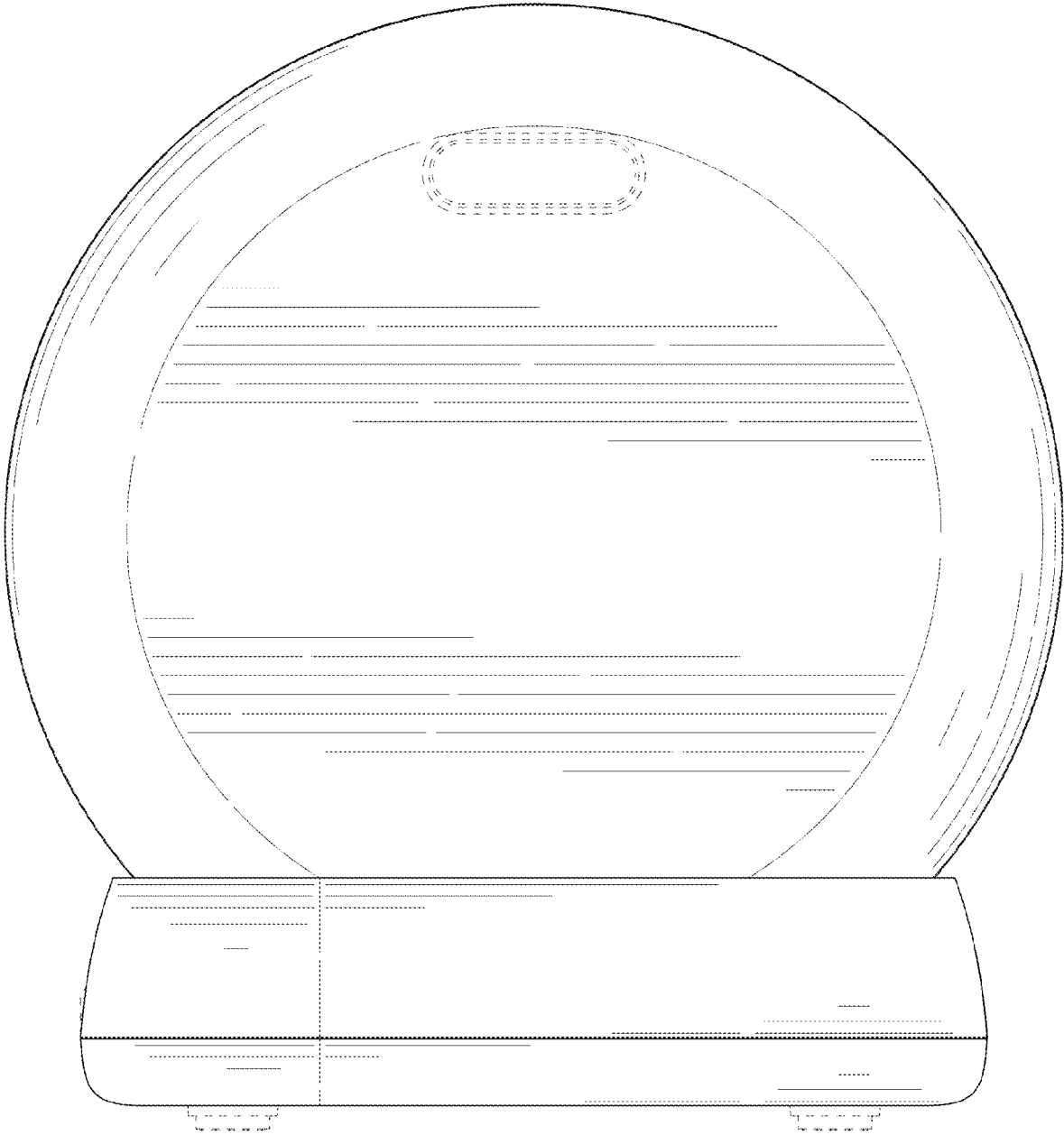


FIG. 4

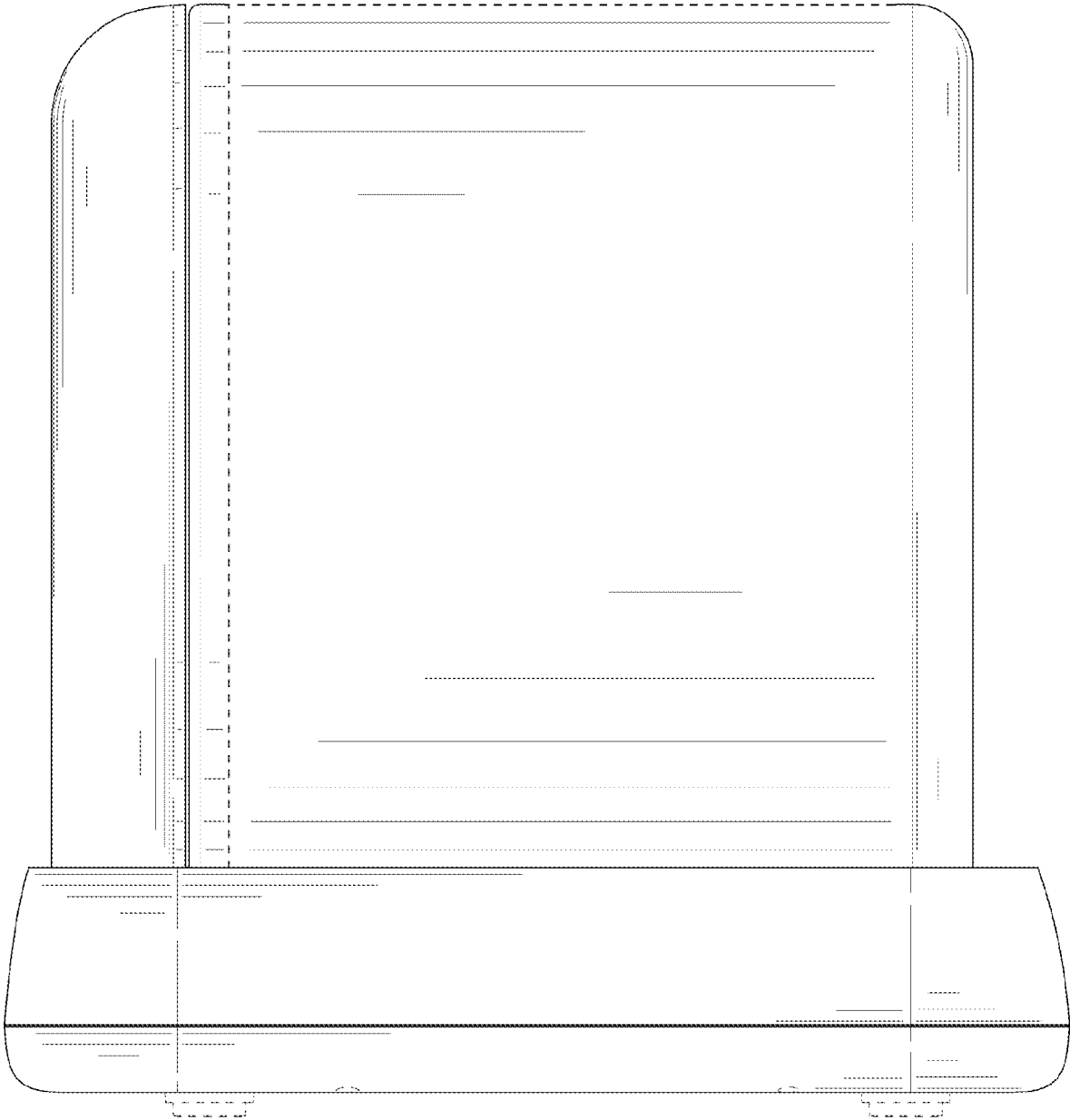


FIG. 5

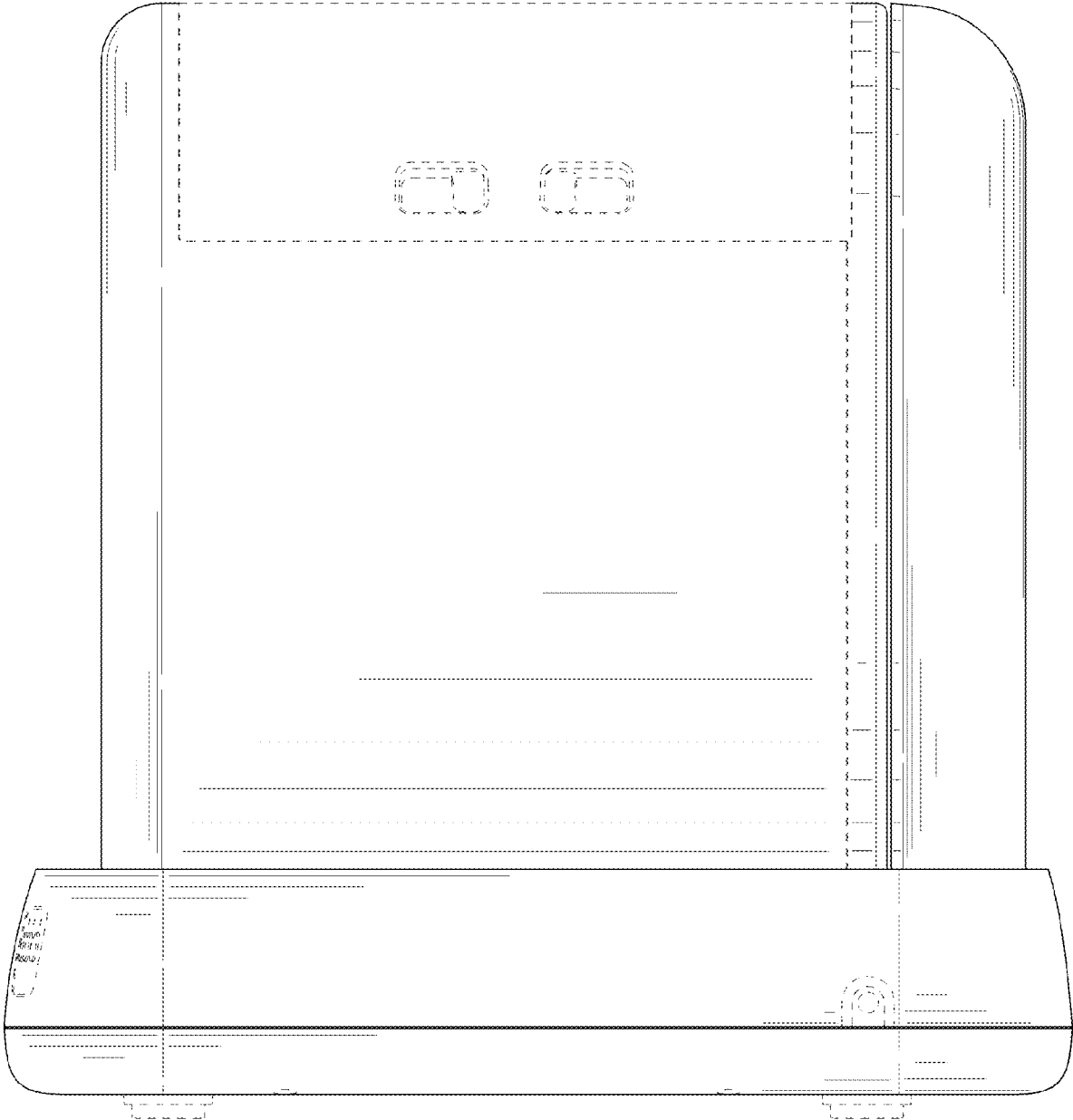


FIG. 6

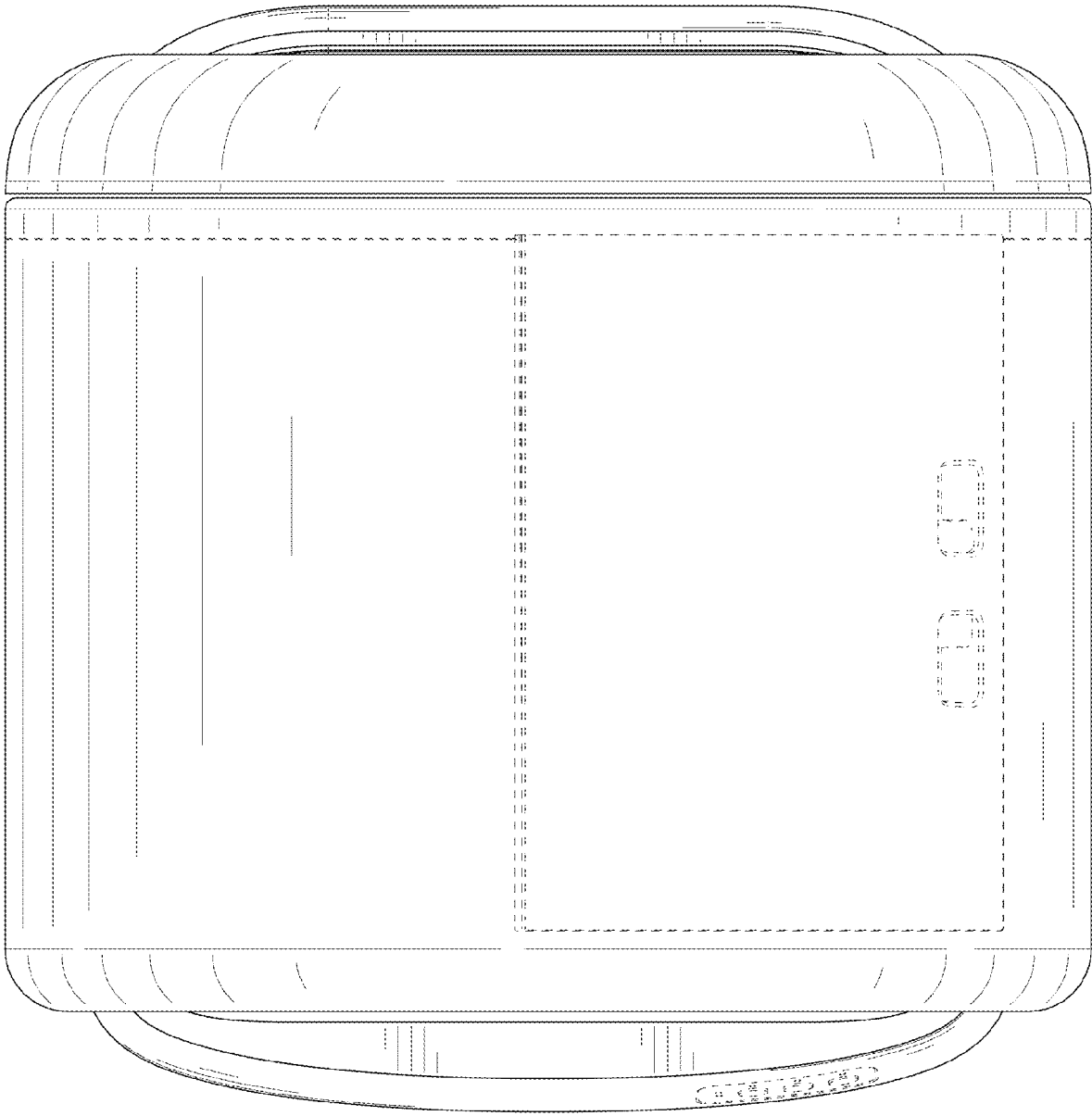


FIG. 7

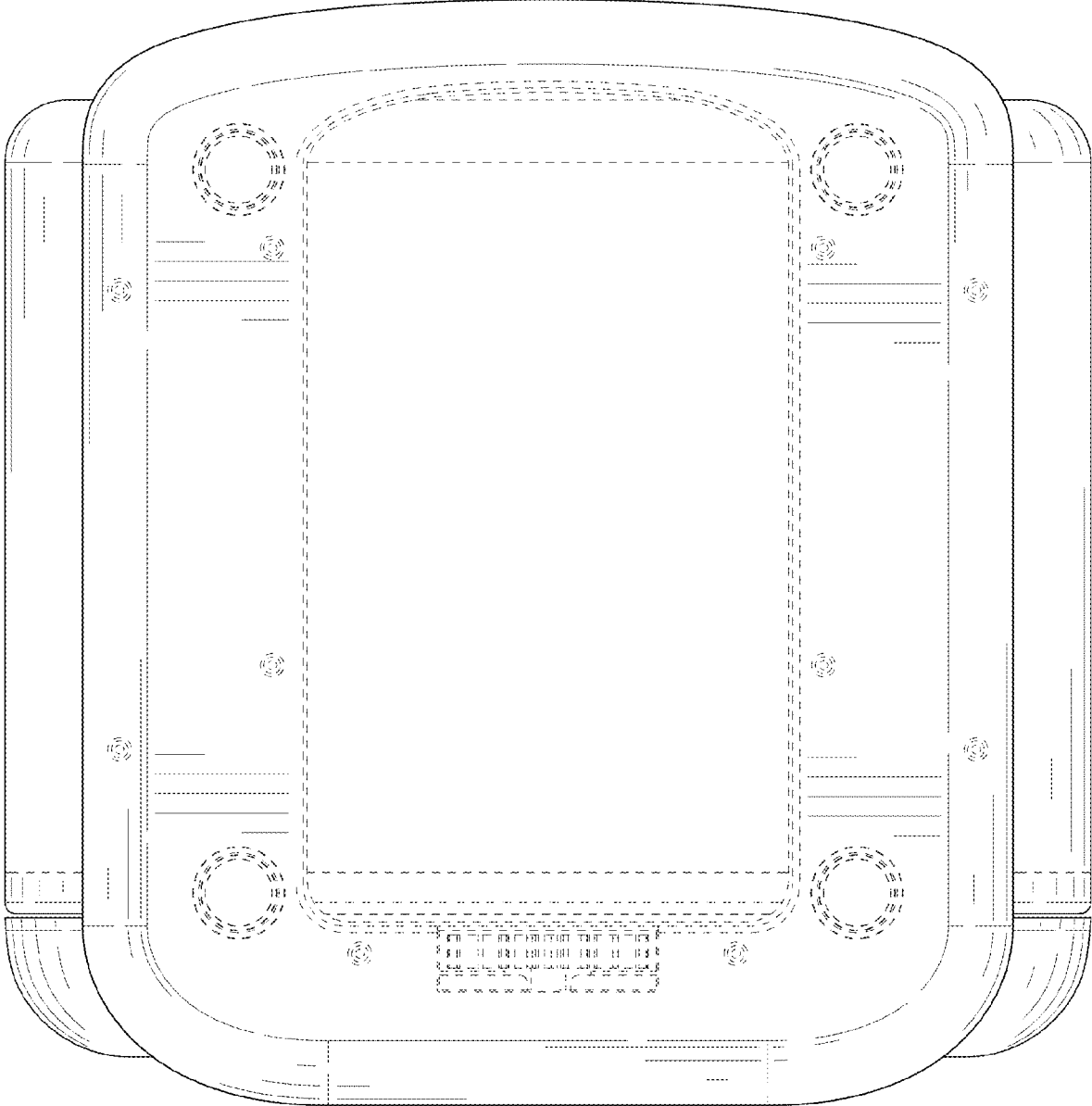


FIG. 8