



US00D963219S

(12) **United States Design Patent** (10) **Patent No.:** **US D963,219 S**  
**Wang** (45) **Date of Patent:** **\*\* Sep. 6, 2022**

(54) **SOLAR LANTERN**

D915,640 S \* 4/2021 Qin ..... D26/24  
D923,837 S \* 6/2021 Ye ..... D26/40  
D935,070 S \* 11/2021 Chen ..... D26/37

(71) Applicant: **QUANZHOU GUANMING TECHNOLOGY CO., LTD.**,  
Quanzhou (CN)

**FOREIGN PATENT DOCUMENTS**

(72) Inventor: **Xiaoqiong Wang**, Quanzhou (CN)

CN 306858205 \* 9/2021  
CN 306858207 \* 9/2021  
CN 306858208 \* 9/2021

(\*\*) Term: **15 Years**

**OTHER PUBLICATIONS**

(21) Appl. No.: **29/749,500**

Solar Lanterns Outdoor. By OxyLED. Dated May 27, 2020. Found online [Jan. 3, 2022], <https://www.amazon.com/OxyLED-Lanterns-Waterproof-Decorative-Christmas/dp/B08979PLDR> (Year: 2020).\*

(22) Filed: **Sep. 5, 2020**

(51) **LOC (13) Cl.** ..... **26-02**

(52) **U.S. Cl.**

USPC ..... **D26/40**

(58) **Field of Classification Search**

USPC ..... D26/24, 37-52, 60, 72, 80-81, 88, 93,  
D26/104-107, 113, 118-120, 138  
CPC ..... F21L 4/00; F21L 19/00; F21V 15/012;  
F21V 17/02; F21V 7/0008; F21V 37/00;  
F21W 2111/10; F21Y 2115/10; F24C  
3/14; F24C 5/20

See application file for complete search history.

\* cited by examiner

*Primary Examiner* — Marissa J Cash  
*Assistant Examiner* — William B Melliar

(57) **CLAIM**

The ornamental design for a solar lantern, as shown and described.

**DESCRIPTION**

(56) **References Cited**

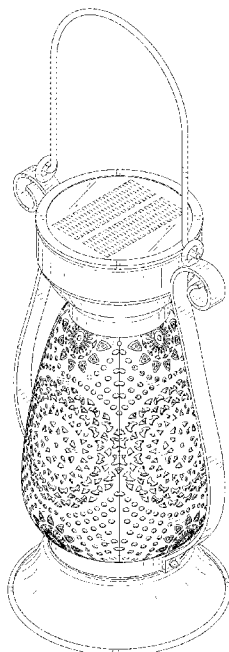
**U.S. PATENT DOCUMENTS**

D1,549 S \* 3/1862 Miller ..... D26/41  
D37,269 S \* 12/1904 Paull ..... D9/653  
D560,010 S \* 1/2008 Kwok ..... D26/40  
D591,895 S \* 5/2009 Sabernig ..... D26/105  
D619,295 S \* 7/2010 Lee ..... D26/104  
D841,208 S \* 2/2019 Calvo Lopez ..... D26/40  
D845,527 S \* 4/2019 Hsu ..... D26/41  
D886,344 S \* 6/2020 Ho ..... D26/41  
D888,306 S \* 6/2020 Ho ..... D26/41  
D903,173 S \* 11/2020 Zhu ..... D26/41

FIG. 1 is a front, right side, top perspective view of a solar lantern showing my new design;  
FIG. 2 is a front elevational view thereof;  
FIG. 3 is a rear elevational view thereof;  
FIG. 4 is a left side elevational view thereof;  
FIG. 5 is a right side elevational view thereof;  
FIG. 6 is a top plan view thereof; and,  
FIG. 7 is a bottom plan view thereof.

The broken lines depict portions of the solar lantern that form no part of the claimed design.

**1 Claim, 7 Drawing Sheets**



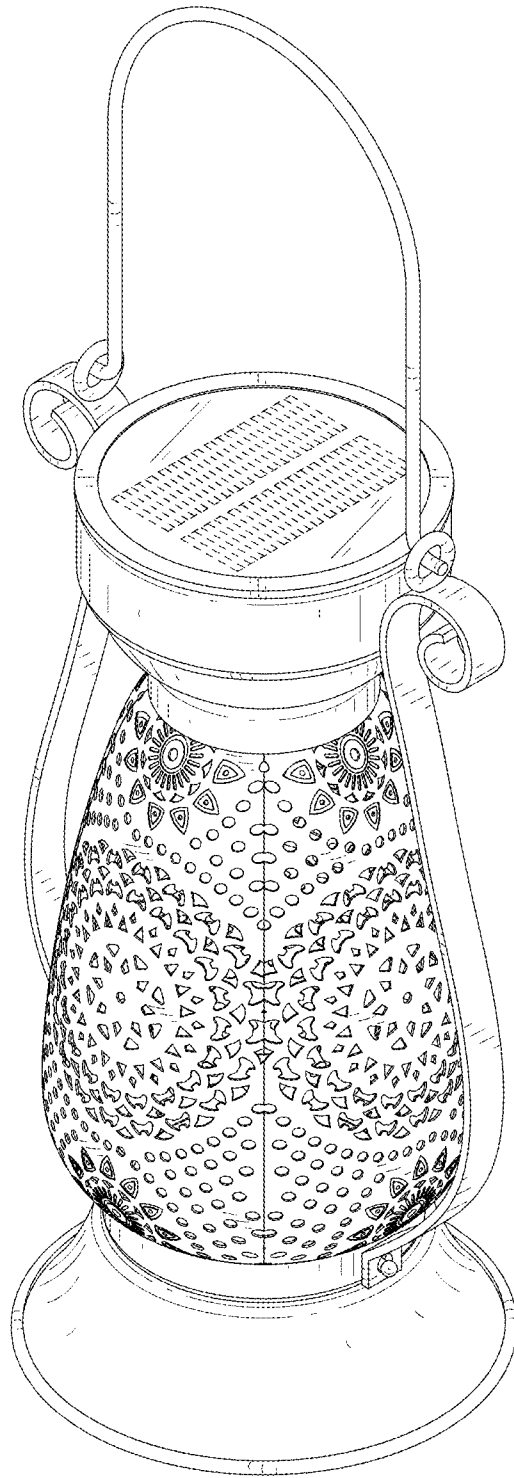


FIG. 1

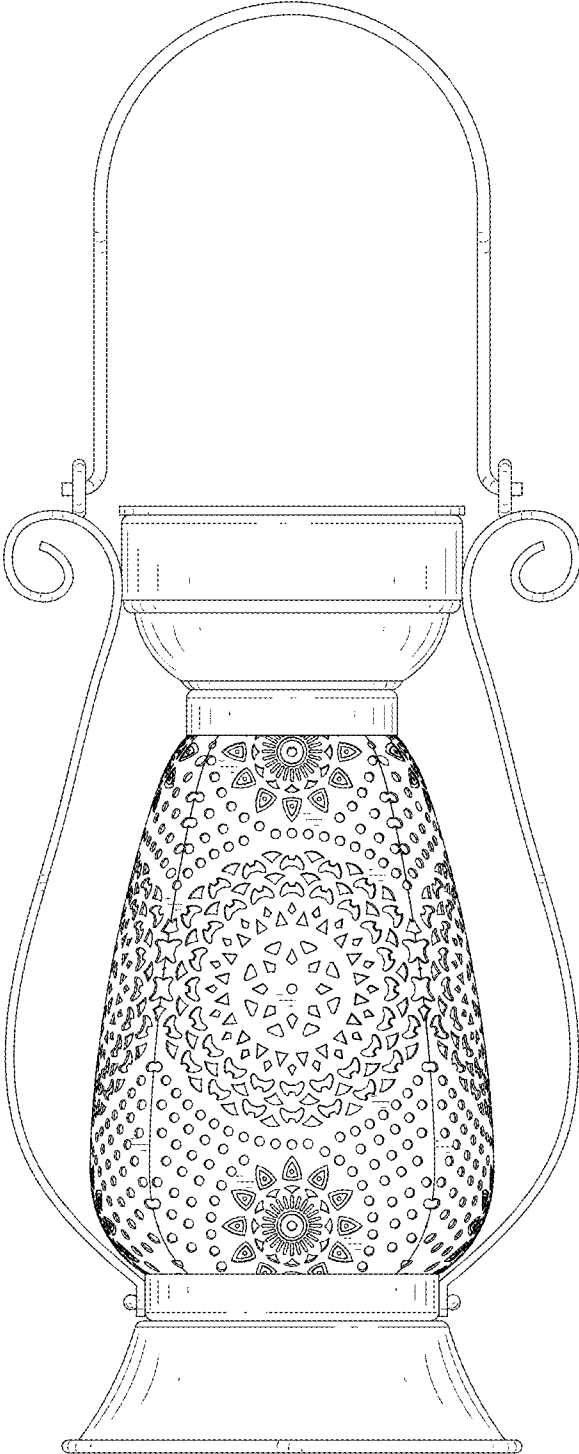


FIG. 2

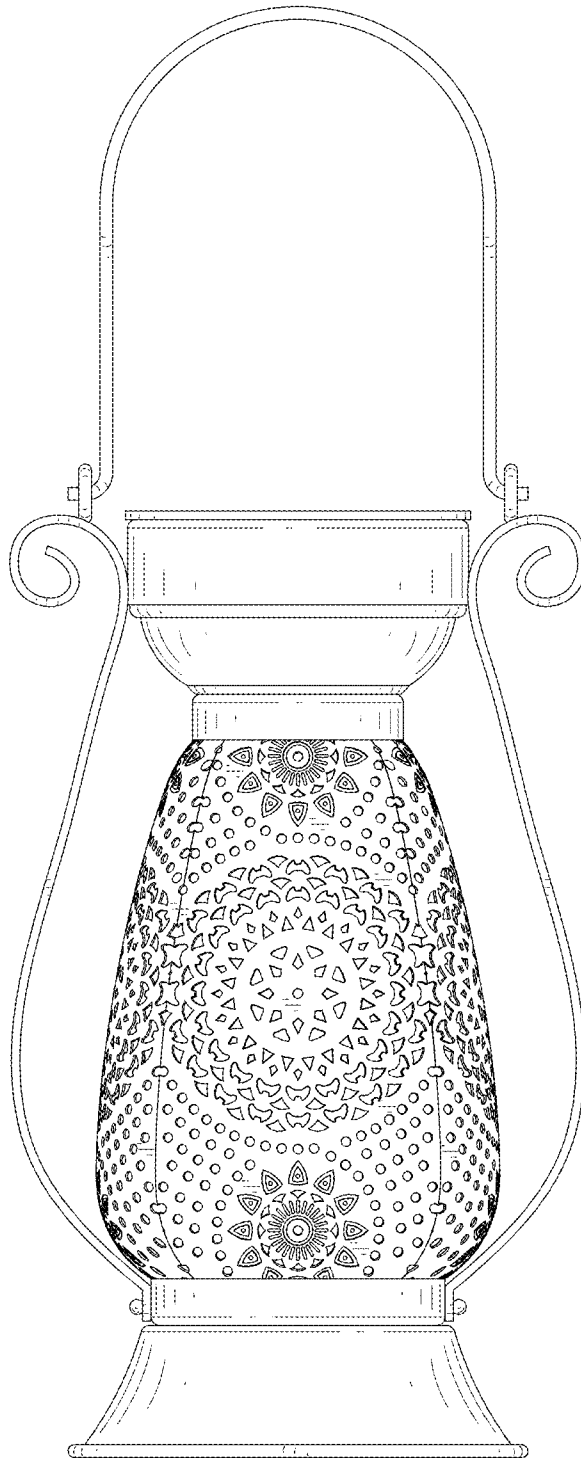


FIG. 3

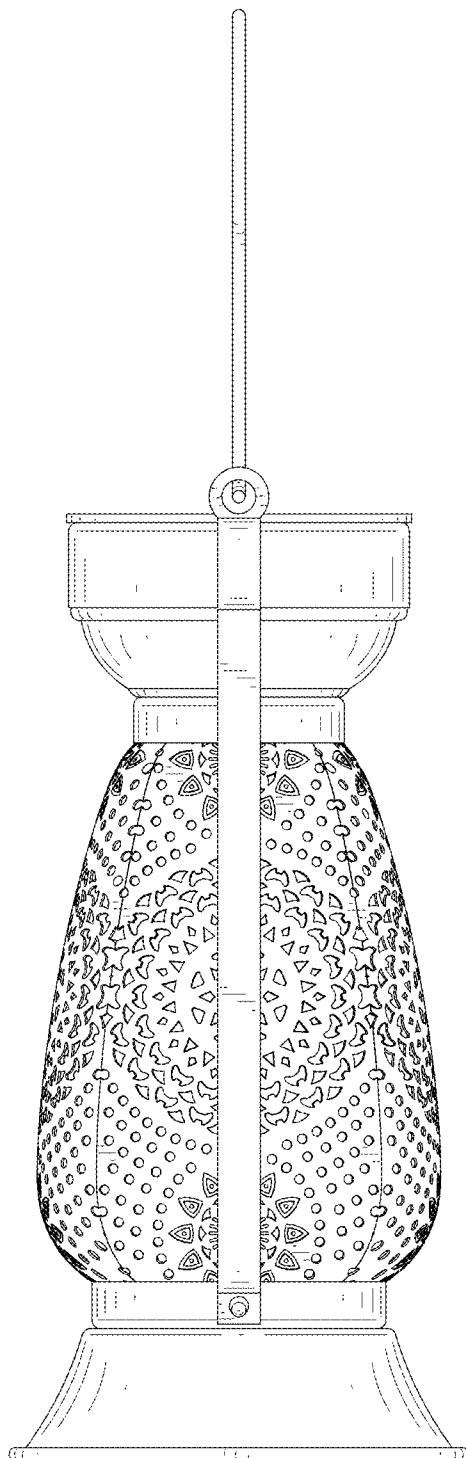


FIG. 4

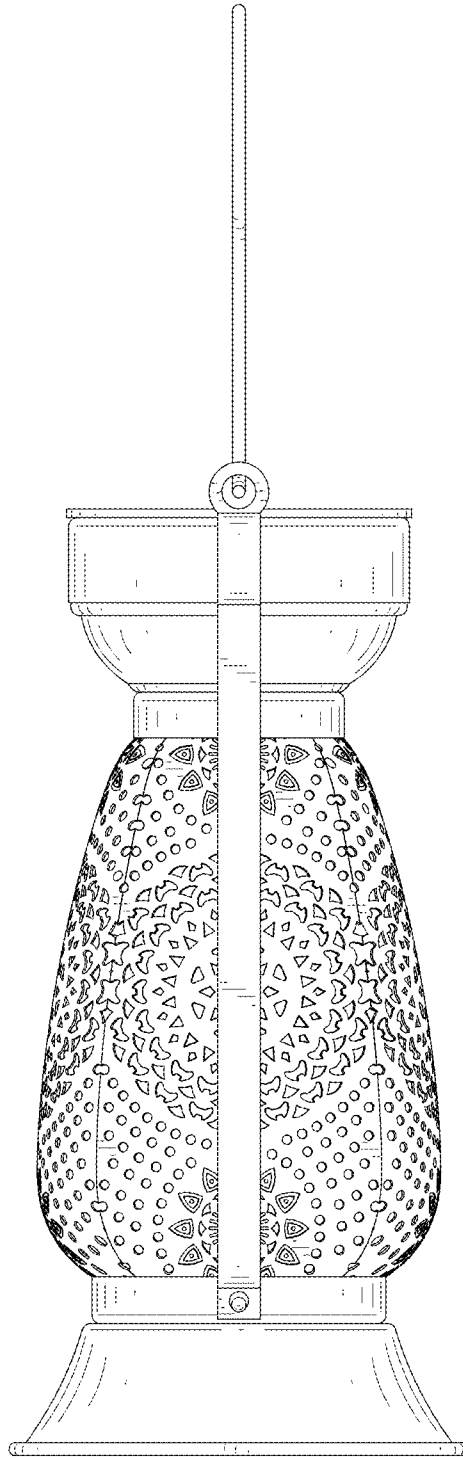


FIG. 5

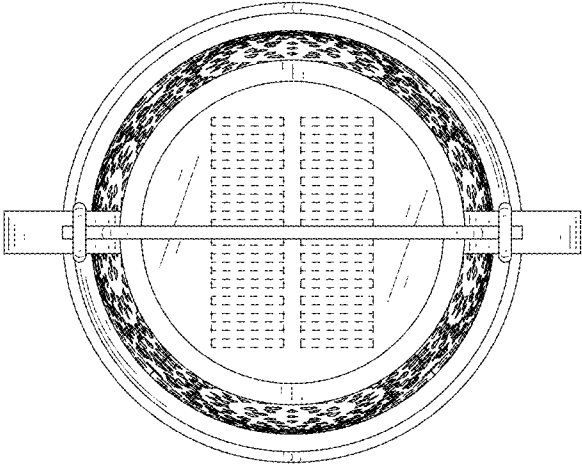


FIG. 6

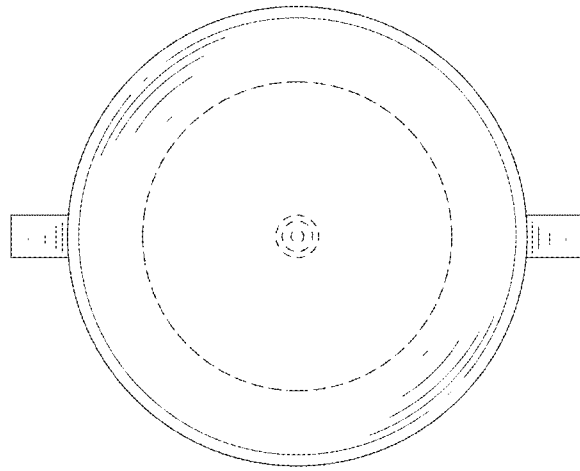


FIG. 7