



US00D606944S

(12) **United States Design Patent**
Mehnert et al.

(10) **Patent No.:** **US D606,944 S**

(45) **Date of Patent:** **** Dec. 29, 2009**

(54) **CONNECTOR**

(75) Inventors: **Wolfgang Mehnert**, Lindau (DE);
Gilbert Anzer, Friedrichshafen (DE)

(73) Assignee: **IFM Electronic GmbH**, Essen (DE)

(**) Term: **14 Years**

(21) Appl. No.: **29/274,144**

(22) Filed: **Mar. 30, 2007**

(51) **LOC (9) Cl.** **13-03**

(52) **U.S. Cl.** **D13/154; D13/147; D13/133**

(58) **Field of Classification Search** D13/133,
D13/146-147, 154, 184; 439/352, 488-491,
439/582, 694, 854-855

See application file for complete search history.

(56) **References Cited**

U.S. PATENT DOCUMENTS

4,758,171	A	*	7/1988	Hey	439/181
D447,121	S	*	8/2001	Yim	D13/147
D453,736	S	*	2/2002	Shimojyo	D13/147
D454,115	S	*	3/2002	Zemba	D13/147
D575,237	S	*	8/2008	Shiga et al.	D13/151

OTHER PUBLICATIONS

U.S. Appl. No. 29/274,146 to Mehnert et al., filed Mar. 30, 2007.

* cited by examiner

Primary Examiner—Daniel D Bui

(74) *Attorney, Agent, or Firm*—Greenblum & Bernstein,
P.L.C.

(57) **CLAIM**

The ornamental design for a connector, as shown and described.

DESCRIPTION

FIG. 1 is a top, rear and left side perspective view of a connector, showing our new design;

FIG. 2 is a right side elevational view thereof;

FIG. 3 is a front elevational view thereof;

FIG. 4 is a bottom plan view thereof;

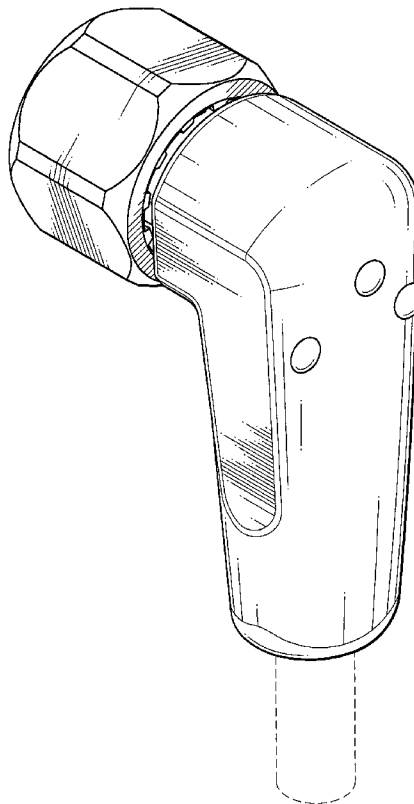
FIG. 5 is left side elevational view thereof;

FIG. 6 is a top plan view thereof; and,

FIG. 7 is a rear elevational view thereof with the indicators emitting light.

The broken line showing is for illustrative purposes only and forms no part of the claimed design.

1 Claim, 7 Drawing Sheets



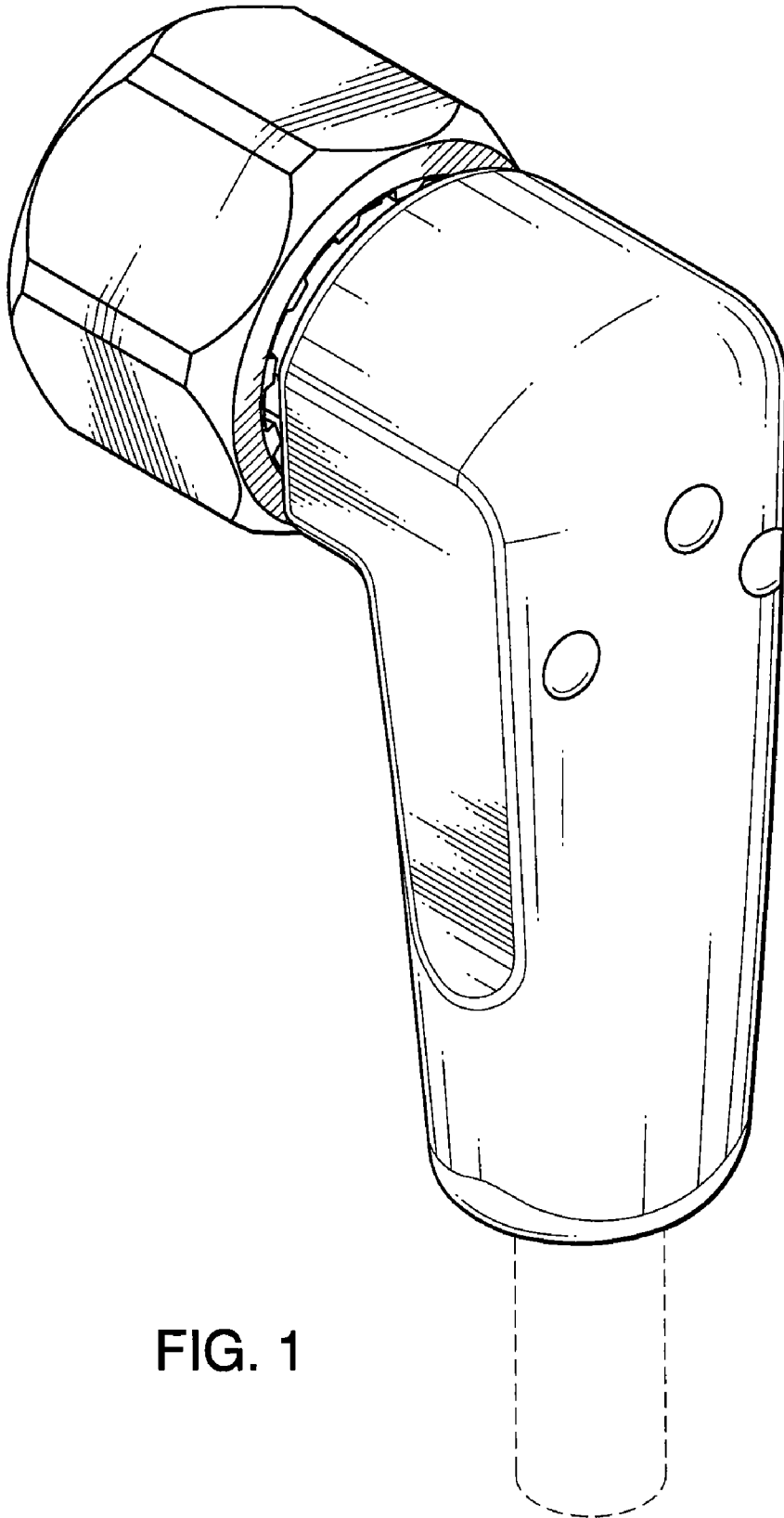


FIG. 1

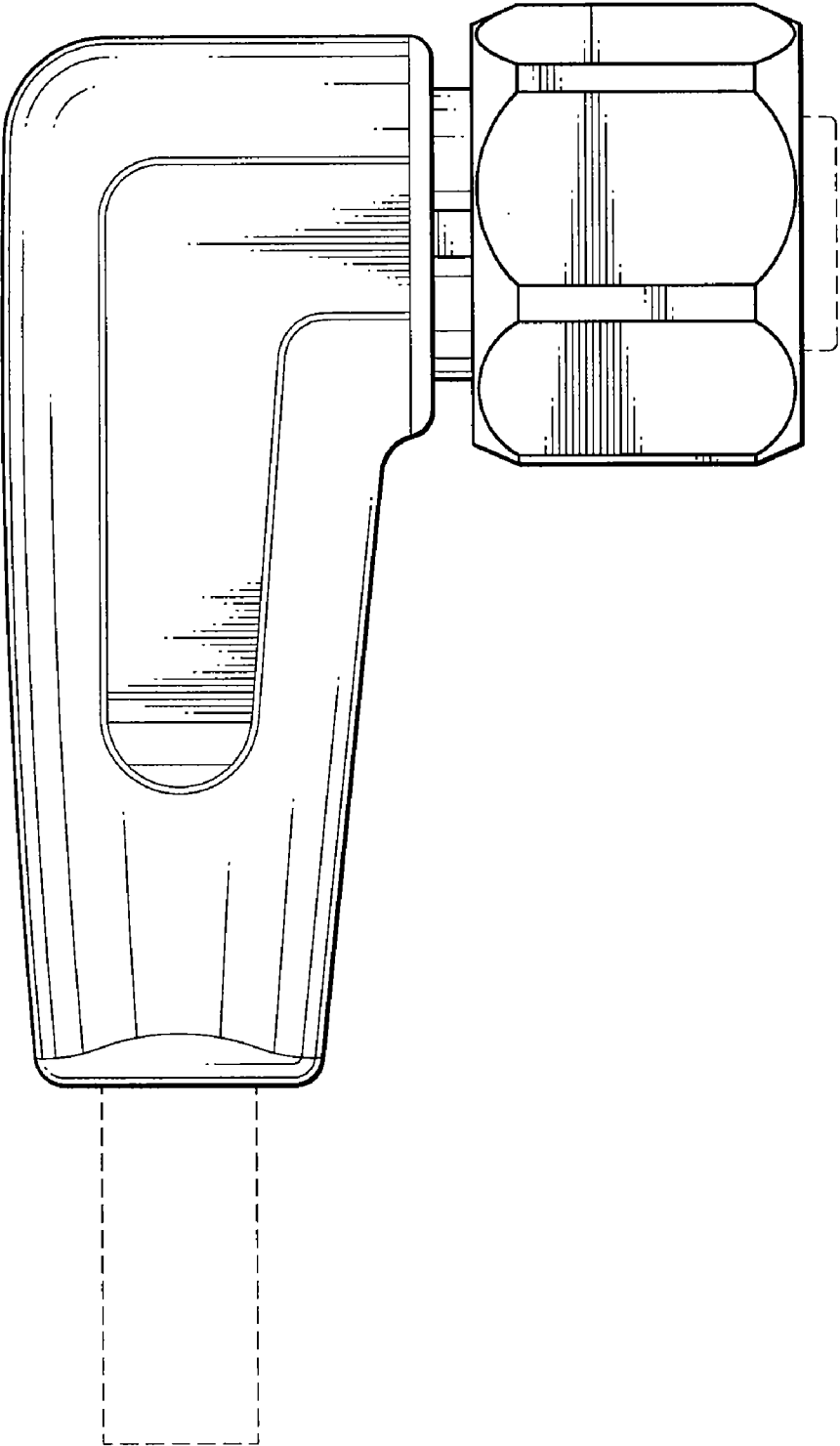


FIG. 2

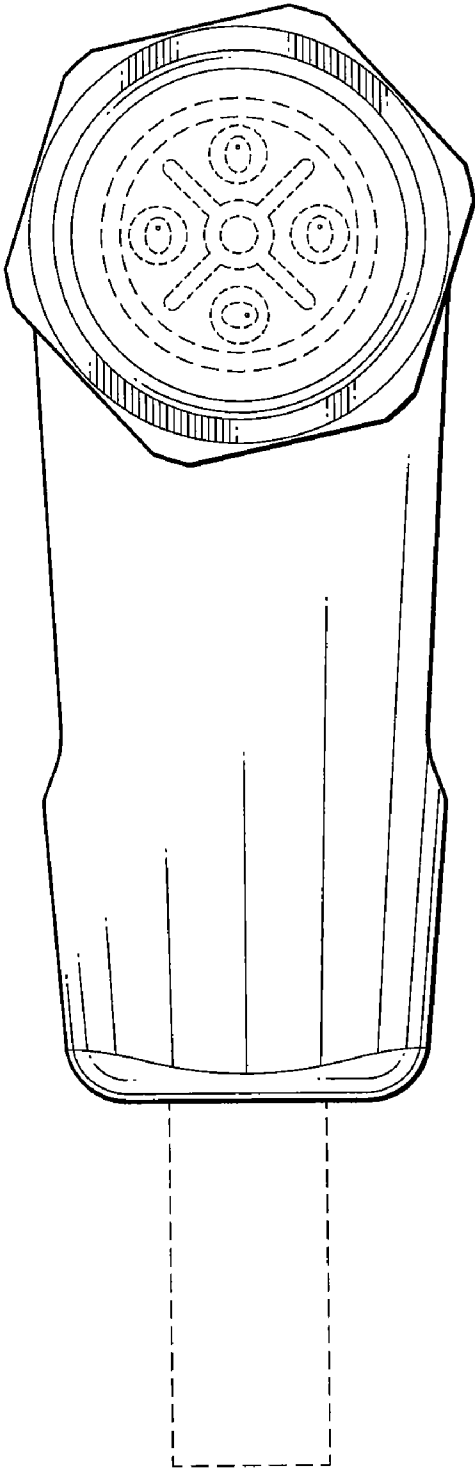


FIG. 3

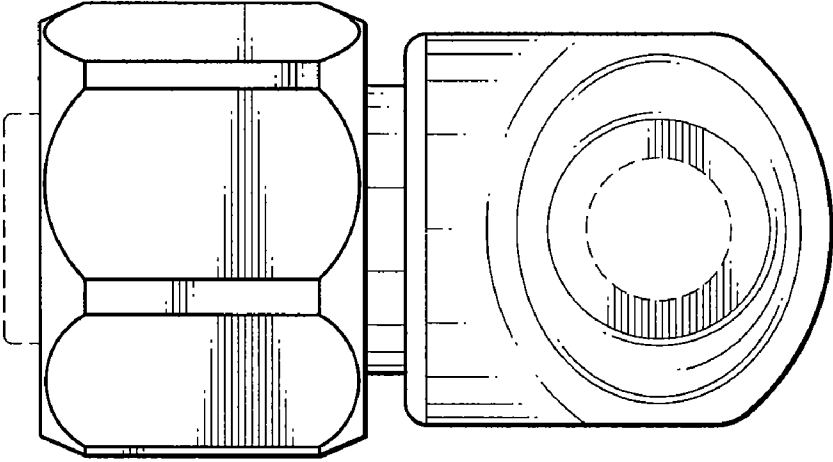


FIG. 4

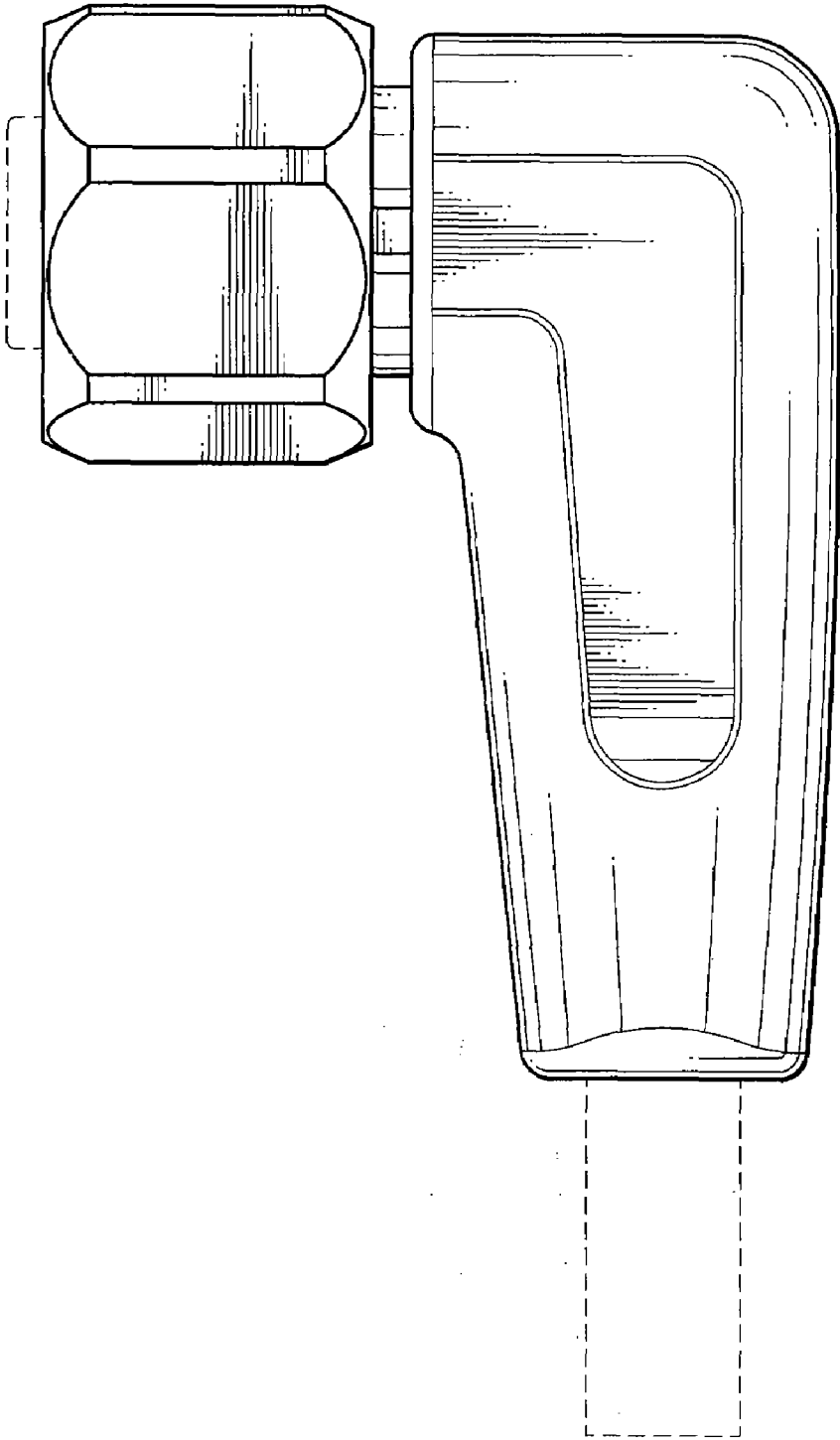


FIG. 5

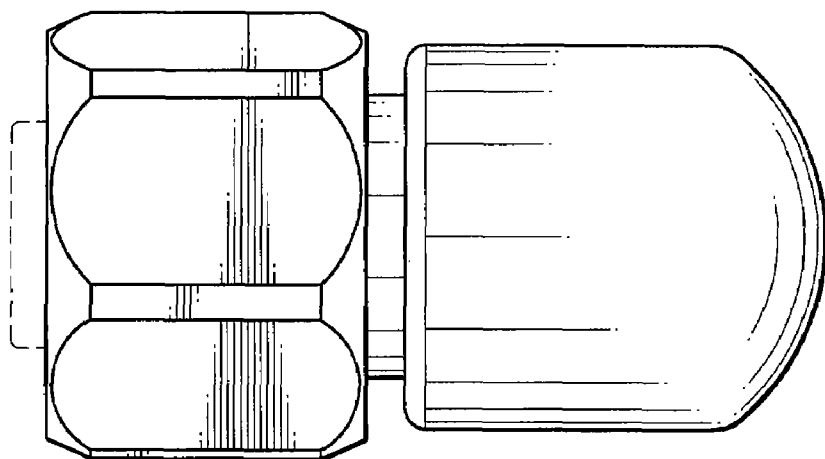


FIG. 6

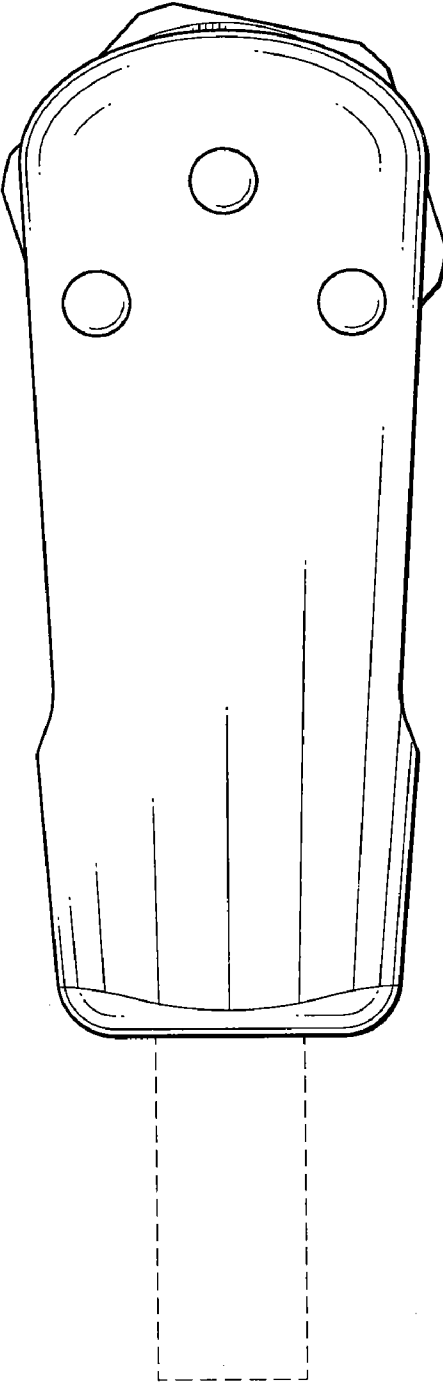


FIG. 7