



US00D900806S

(12) **United States Design Patent**
Xu et al.

(10) **Patent No.:** **US D900,806 S**
(45) **Date of Patent:** **** Nov. 3, 2020**

(54) **ELECTRONIC DEVICE**

FOREIGN PATENT DOCUMENTS

(71) Applicant: **LENOVO (BEIJING) CO., LTD.**,
Beijing (CN)

JP D1438161 S 4/2012
KR 3006407590000 4/2012

(Continued)

(72) Inventors: **Jian Xu**, Beijing (CN); **Wenbo Shi**,
Beijing (CN); **Rong Gao**, Beijing (CN)

OTHER PUBLICATIONS

(73) Assignee: **Lenovo (Beijing) Co., Ltd.**, Beijing
(CN)

Folder Pad Tablet could be Lenovo's answer to the Microsoft Surface, announced Mar. 7, 2014 [online], [retrieved Mar. 13, 2019]. Available from Internet, URL: <<https://liliputing.com/2014/03/folder-pad-tablet-lenovos-answer-microsoft-surface.html>> (Year: 2014).*

(**) Term: **15 Years**

(Continued)

(21) Appl. No.: **29/588,990**

(22) Filed: **Dec. 27, 2016**

Related U.S. Application Data

Primary Examiner — Dana K Weiland

(74) *Attorney, Agent, or Firm* — Oppedahl Patent Law Firm LLC

(62) Division of application No. 29/459,556, filed on Jul. 1, 2013, now Pat. No. Des. 778,902.

(30) **Foreign Application Priority Data**

Dec. 31, 2012 (CN) 2012 3 0662968
Dec. 31, 2012 (CN) 2012 3 0662969
May 14, 2013 (CN) 2013 3 0177419

(57) **CLAIM**

The ornamental design for an electronic device, as shown and described.

(51) **LOC (12) Cl.** **14-02**

(52) **U.S. Cl.**

USPC **D14/341**

(58) **Field of Classification Search**

USPC D14/341-347, 137, 138 R, 138 AA,
D14/138 C, 138 G, 496, 203.1, 203.3,
(Continued)

DESCRIPTION

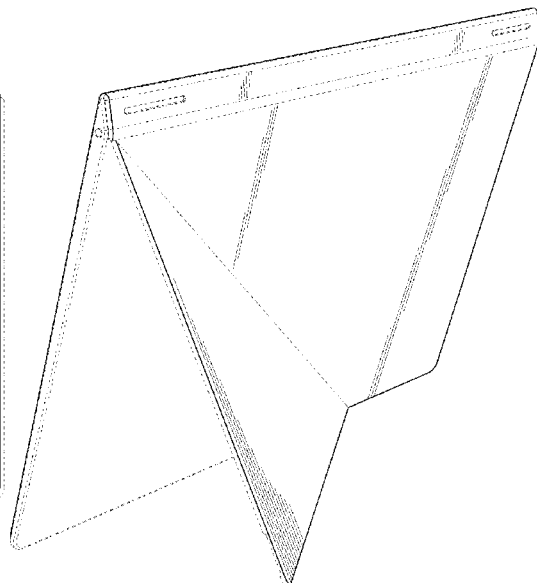
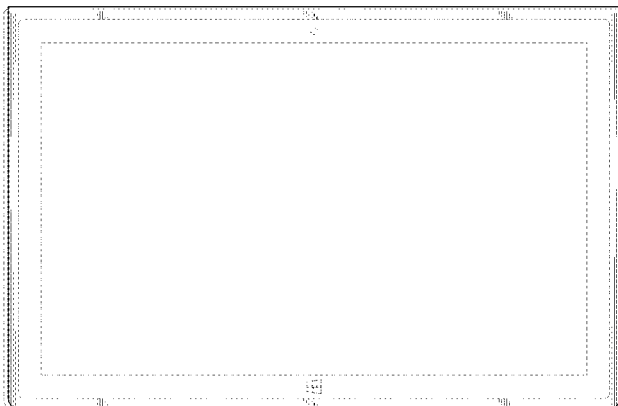
FIG. 1 is a front view of an electronic device showing the new design;
FIG. 2 is a back view thereof;
FIG. 3 is a top view thereof;
FIG. 4 is a bottom view thereof;
FIG. 5 is a left side view thereof;
FIG. 6 is a right side view thereof;
FIG. 7 is a back, right side perspective view of the electronic device shown in an alternate configuration; and,
FIG. 8 is an enlarged view of the portion of the electronic device shown within the area designated as 8 in FIG. 6.
The broken lines shown in the drawings depict portions of the electronic device that form no part of the claimed design.

(56) **References Cited**

U.S. PATENT DOCUMENTS

D407,019 S 3/1999 Arima
D431,230 S 9/2000 Began
(Continued)

1 Claim, 4 Drawing Sheets



- (58) **Field of Classification Search**
 USPC D14/203.4, 203.7, 129, 130, 147, 218,
 D14/247, 248, 250, 374, 385, 388, 389,
 D14/315-318, 420, 426, 439; D10/65,
 D10/104.1; D21/324, 329, 330, 332;
 455/556.1, 556.2, 566, 575.1, 90.3;
 379/433.04, 433.01, 433.06, 916;
 345/173, 901, 905; 361/679.26, 679.27,
 361/679.3, 679.55, 679.56; D6/308, 310;
 463/37; 248/917-924; 348/376;
 D19/26, 59-60
 CPC A63H 33/3016; G06F 1/1613; H04M
 1/0202; H04M 1/0279; H04M 1/0281;
 H04M 1/0283
 See application file for complete search history.

D745,001 S	12/2015	Cho et al.	
D745,512 S	12/2015	Lee et al.	
D747,309 S	* 1/2016	Smith	D14/341
D749,588 S	* 2/2016	Cox	D14/203.7
D751,063 S	* 3/2016	Lin	D14/341
D754,655 S	* 4/2016	Groene	D14/341
D755,773 S	* 5/2016	Kim	D14/250
D756,952 S	* 5/2016	Simonian	D14/138 G
D757,723 S	* 5/2016	Kwak	D14/345
D770,998 S	* 11/2016	Kwak	D14/138 AB
D772,234 S	* 11/2016	Massucco	D14/440
D772,862 S	* 11/2016	Kwong	D14/316
D775,602 S	* 1/2017	Lee	D14/138 AB
D776,121 S	* 1/2017	Mecchella	D14/440
D778,902 S	* 2/2017	Xu	D14/341
D779,447 S	* 2/2017	Kwak	D14/138 AB
D782,473 S	* 3/2017	Hong	D14/341
D783,625 S	* 4/2017	Okuley	D14/447
D786,238 S	* 5/2017	Roberts	D14/341
D786,254 S	* 5/2017	Yum	D14/138 G
D786,857 S	* 5/2017	Tian	D14/315
D788,767 S	* 6/2017	Magi	D14/315
D792,880 S	* 7/2017	Gong	D14/374
D795,248 S	* 8/2017	Satzger	D14/341
D795,855 S	* 8/2017	Kim	D14/248
D798,292 S	* 9/2017	Groene	D14/341
D804,467 S	* 12/2017	Probst	D14/315
D808,960 S	* 1/2018	Chan	D14/341
D810,731 S	* 2/2018	Henderson	D14/341
D818,980 S	* 5/2018	Kim	D14/138 G
D824,914 S	* 8/2018	Okuley	D14/447
D825,496 S	* 8/2018	Yagisawa	D13/168
D826,930 S	* 8/2018	Iida	D14/341
D835,097 S	* 12/2018	Morgan	D14/341
D836,720 S	* 12/2018	Kang	D19/113
D839,266 S	* 1/2019	Chang	D14/341
D840,392 S	* 2/2019	Satzger	D14/341
2011/0048755 A1	3/2011	Su	
2018/0049529 A1*	2/2018	Buechin	A45C 11/00

(56) **References Cited**

U.S. PATENT DOCUMENTS

D582,408 S	12/2008	Maiers	
D582,409 S	12/2008	Maiers	
D583,813 S	12/2008	Maiers	
D601,976 S	10/2009	Petrillo	
D619,990 S	7/2010	Lai	
D626,957 S	11/2010	Juan	
D629,798 S	12/2010	Arie	
D641,016 S	7/2011	Takahashi	
D642,625 S	8/2011	Assa	
D654,073 S	2/2012	Li	
D656,137 S	3/2012	Chung	
D657,785 S	4/2012	Lee	
D662,932 S	7/2012	Park	
D675,613 S	2/2013	Chu	
D676,044 S	2/2013	Nakagawa	
D678,270 S	3/2013	Song	
D680,118 S	* 4/2013	Schmelling	D14/434
D682,797 S	* 5/2013	Lee	D14/126
D683,726 S	6/2013	Morisawa	
D687,406 S	8/2013	Xia	
D691,132 S	10/2013	Sharma	
D694,747 S	12/2013	Chen	
D696,245 S	12/2013	Lee et al.	
D698,341 S	1/2014	Lee	
D705,782 S	5/2014	McParland et al.	
D706,261 S	6/2014	Sharma	
D708,606 S	7/2014	Kim	
D710,353 S	8/2014	Ahn et al.	
D710,354 S	8/2014	Ahn et al.	
D712,839 S	9/2014	Lee et al.	
D714,286 S	9/2014	Kim et al.	
D715,280 S	10/2014	Lee et al.	
D715,789 S	* 10/2014	Yoon	D14/250
D718,308 S	11/2014	Nishizawa	
D720,736 S	* 1/2015	Chen	D14/250
D724,582 S	3/2015	Kim et al.	
D728,579 S	* 5/2015	Mecchella	D14/440
D730,346 S	5/2015	Lee et al.	
D730,913 S	* 6/2015	Shao	D14/440
D737,816 S	* 9/2015	Loor Canizares	D14/341

FOREIGN PATENT DOCUMENTS

WO	D082301-001	* 12/2013
WO	D082301-002	* 12/2013
WO	D082301-003	* 12/2013
WO	D082301-004	* 12/2013
WO	D082301-005	* 12/2013
WO	D082301-006	* 12/2013
WO	D082301-007	* 12/2013
WO	D082301-008	* 12/2013
WO	D082301-009	* 12/2013

OTHER PUBLICATIONS

Tablet design hasn't really changed much . . . , announced Mar. 9, 2014 [online], [retrieved Mar. 13, 2019]. Available from Internet, URL: <<https://news.softpedia.com/news/Lenovo-s-Folder-Pad-Tablet-Borrows-Designs-Cues-from-the-Microsoft-Surface-431249.shtml>> (Year: 2014).*

* cited by examiner

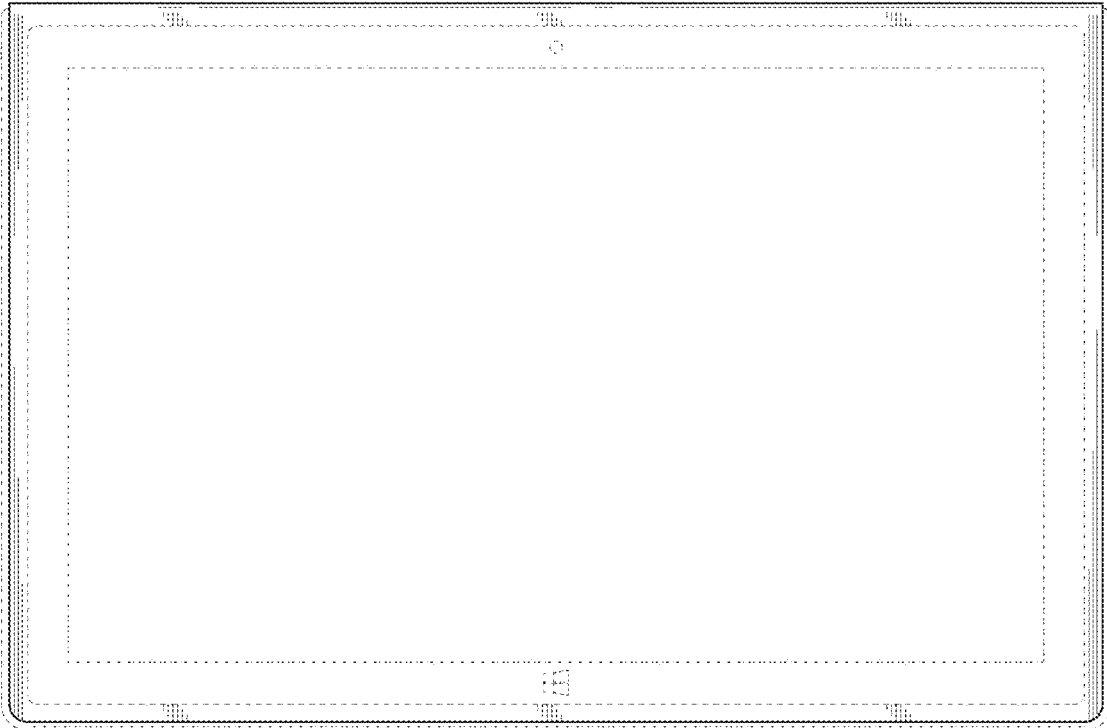


Fig. 1

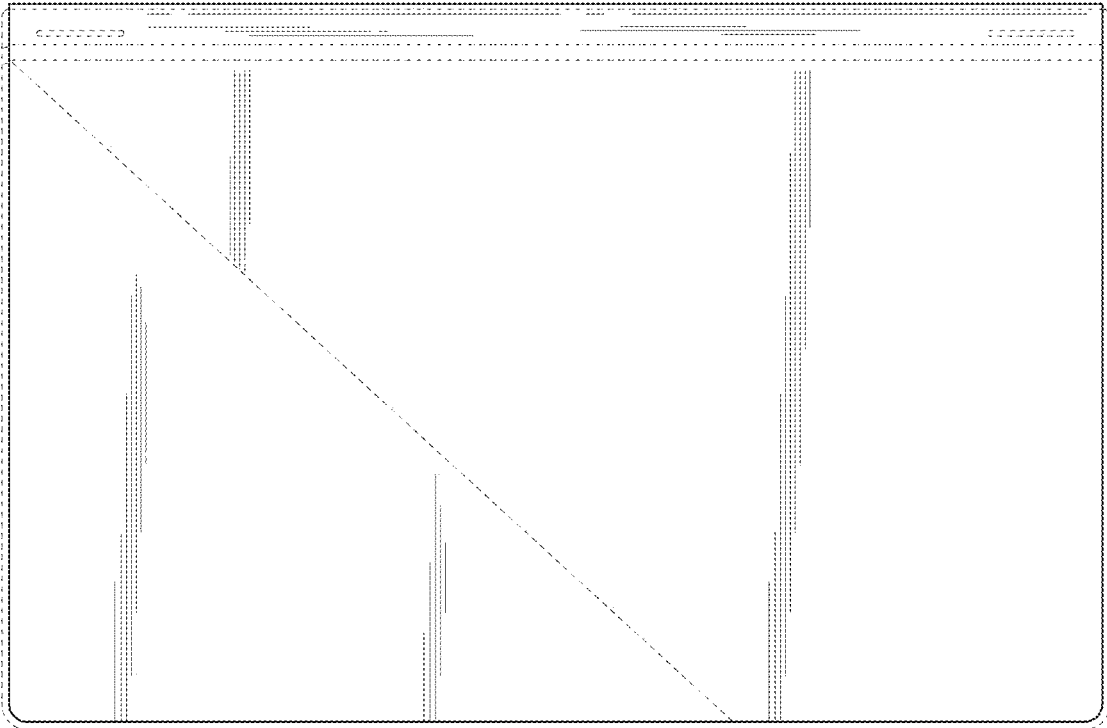


Fig. 2



Fig. 3



Fig. 4

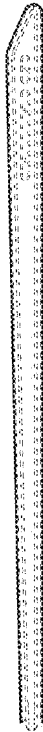


Fig. 5

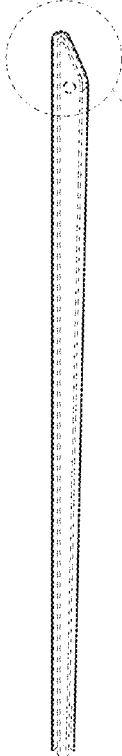


Fig. 8

Fig. 6

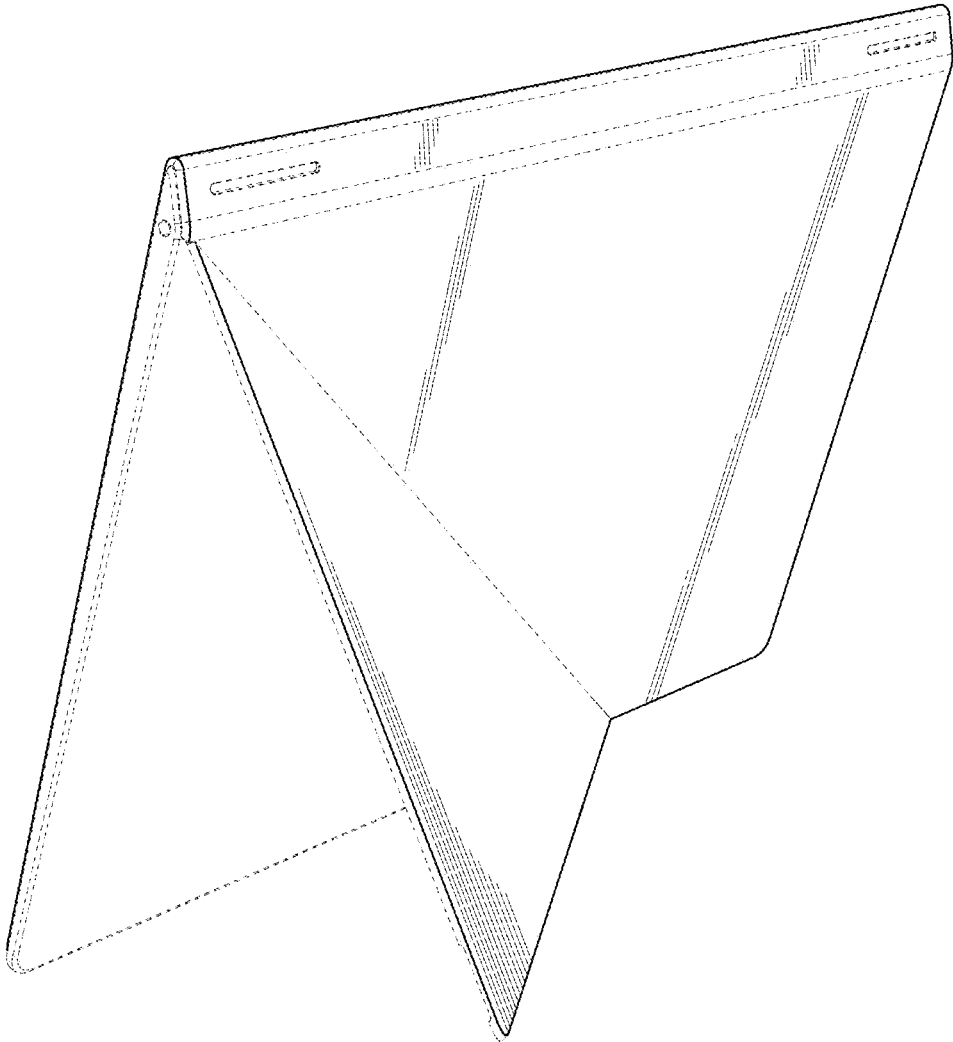


Fig. 7

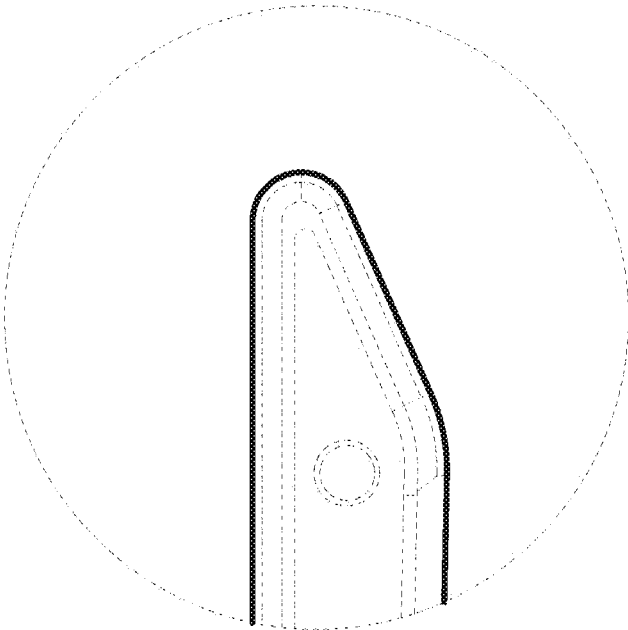


Fig. 8