



(12) **United States Design Patent**
Yu

(10) **Patent No.:** **US D980,457 S**
(45) **Date of Patent:** **** Mar. 7, 2023**

(54) **PAINT SPRAY BOOTH**

(71) Applicant: **Dingjia Yu**, Guangzhou (CN)
(72) Inventor: **Dingjia Yu**, Guangzhou (CN)
(**) Term: **15 Years**

(21) Appl. No.: **29/818,912**

(22) Filed: **Dec. 10, 2021**

(51) **LOC (14) Cl.** **25-03**

(52) **U.S. Cl.**
USPC **D25/18; D21/835**

(58) **Field of Classification Search**
USPC D25/1, 16, 18, 19, 31, 33; D21/834-838
CPC .. E04H 15/20; E04H 2015/201; E04H 4/0025
See application file for complete search history.

(56) **References Cited**

U.S. PATENT DOCUMENTS

D439,946	S *	4/2001	Gourchounian	D21/835
D703,829	S *	4/2014	Page	D25/33
D795,319	S	8/2017	Bedeschi et al.		
D824,537	S	7/2018	Pihlblad		
D925,771	S *	7/2021	Chao	D25/18
2004/0050411	A1 *	3/2004	Lawrence	E04H 15/20 135/128
2008/0125005	A1 *	5/2008	Lu	E04H 15/006 446/222
2015/0017897	A1 *	1/2015	Williams	E04H 15/20 454/51
2021/0301549	A1 *	9/2021	Williams	E04H 15/20

FOREIGN PATENT DOCUMENTS

CN	113309399	A *	8/2021		
DE	202016004872	U1 *	12/2016	E04H 15/20
EP	0987385	A2 *	3/2000		
WO	WO-2019202232	A1 *	10/2019		

OTHER PUBLICATIONS

Happybuy, Inflatable Paint Booth, Dec. 15, 2018, Amazon, https://www.amazon.com/dp/B07LDNL7GF?pd_rd_i=B07LDNL7GF (Year: 2018).
Orionet, Inflatable Paint Booth, Nov. 27, 2019, Amazon, <https://www.amazon.com/Inflatable-30x20x13FT-Portable-Professional-Painting/dp/B08VDT5WF1> (Year: 2019).
Happybuy, Inflatable Paint Booth, Aug. 23, 2021, Amazon, <https://www.amazon.com/Happybuy-Inflatable-19-69x13-12x8-53-Powerful-Workstation/dp/B08YNK4RY4> (Year: 2021).*

* cited by examiner

Primary Examiner — Brett Miller

(74) *Attorney, Agent, or Firm* — ScienBiziP, P.C.

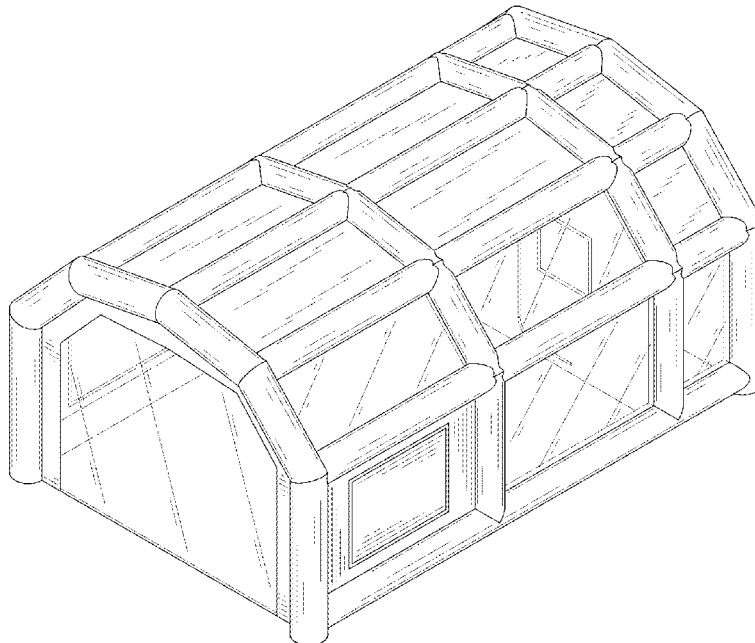
(57) **CLAIM**

The ornamental design for a paint spray booth, as shown and described.

DESCRIPTION

FIG. 1 is a front, right and top perspective view of a paint spray booth, showing my design.
FIG. 2 is a rear, left and bottom perspective view thereof.
FIG. 3 is a front elevation view thereof.
FIG. 4 is a rear elevation view thereof.
FIG. 5 is a left side elevation view thereof.
FIG. 6 is a right side elevation view thereof.
FIG. 7 is a top plan view thereof; and,
FIG. 8 is a bottom plan view thereof.
The broken lines shown in the drawings are included for the purpose of illustrating portions of the paint spray booth that form no part of the claimed design.

1 Claim, 8 Drawing Sheets



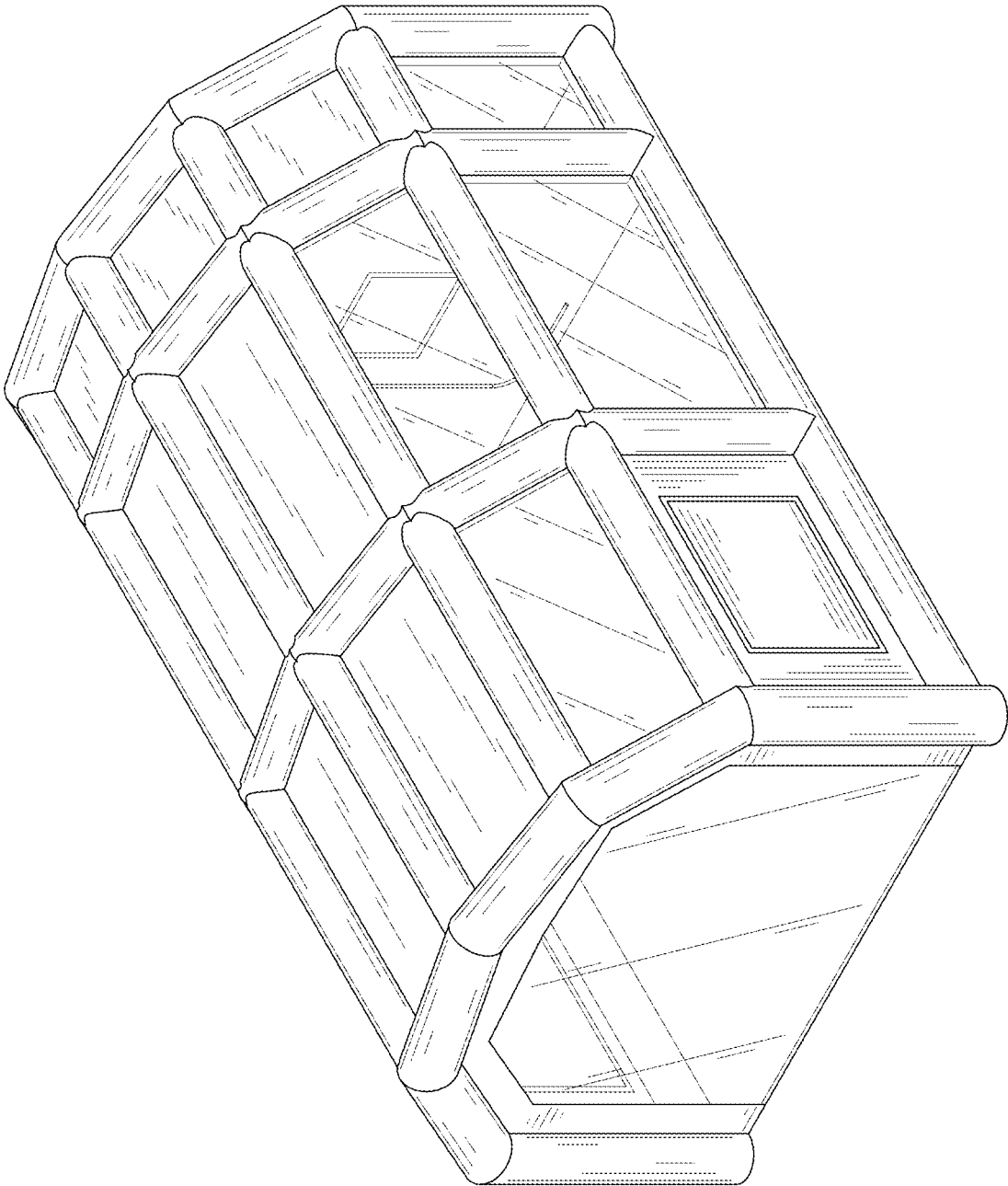


FIG. 1

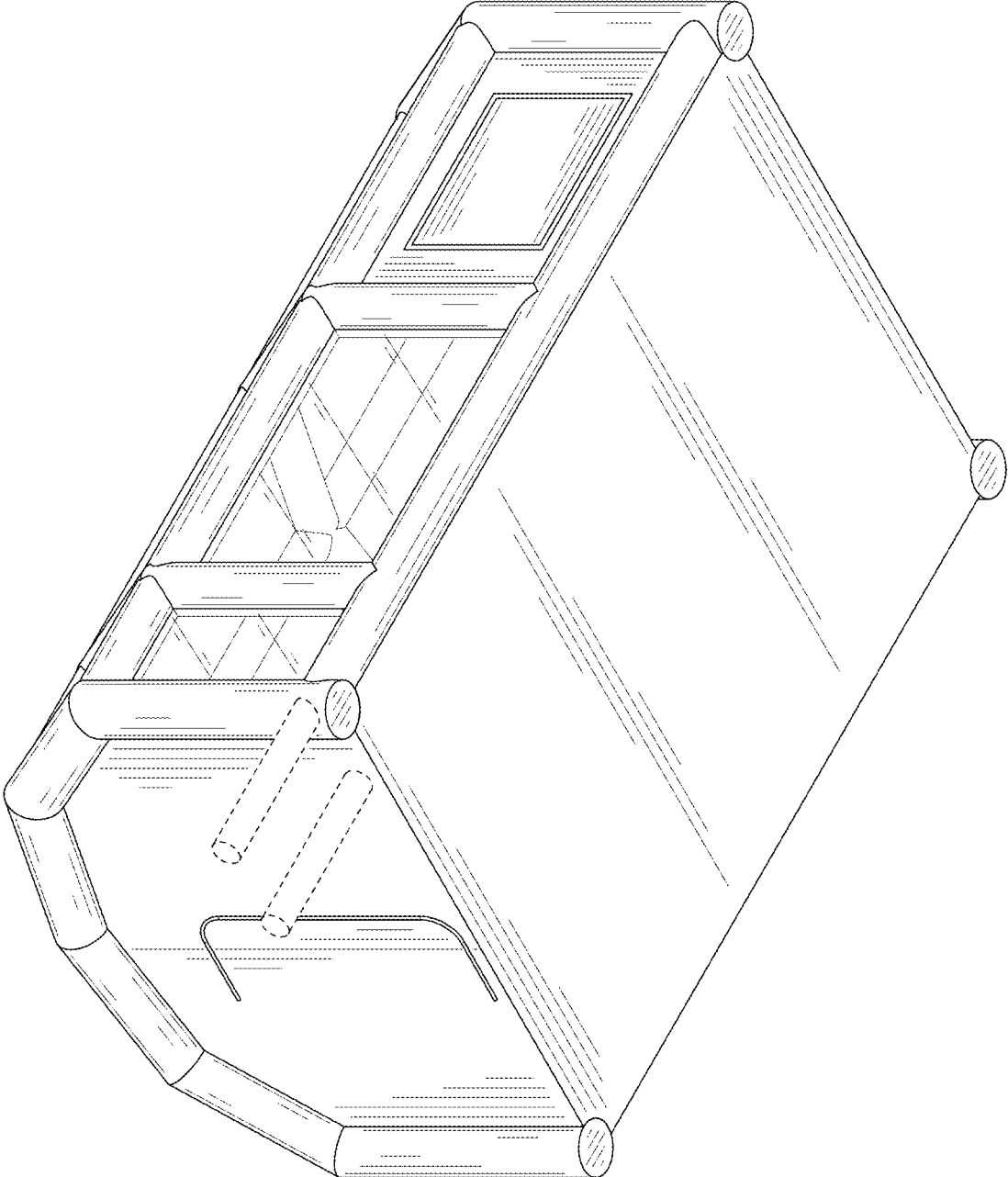


FIG. 2

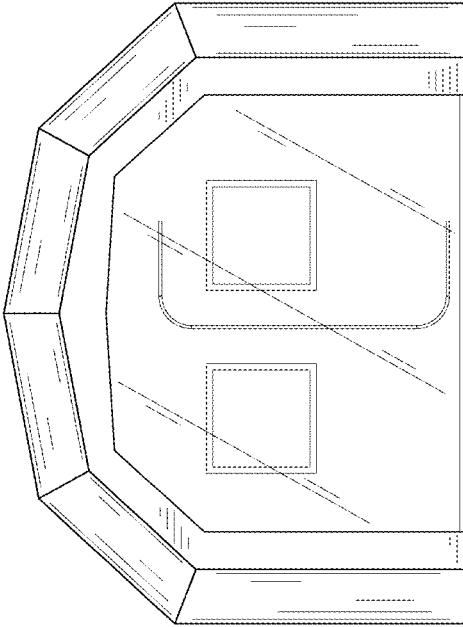


FIG. 3

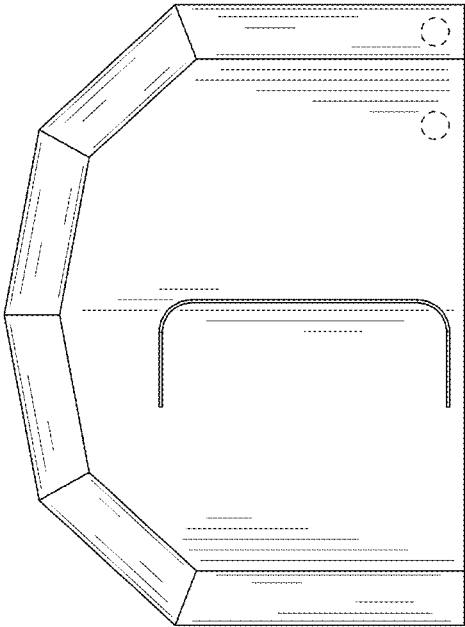


FIG. 4

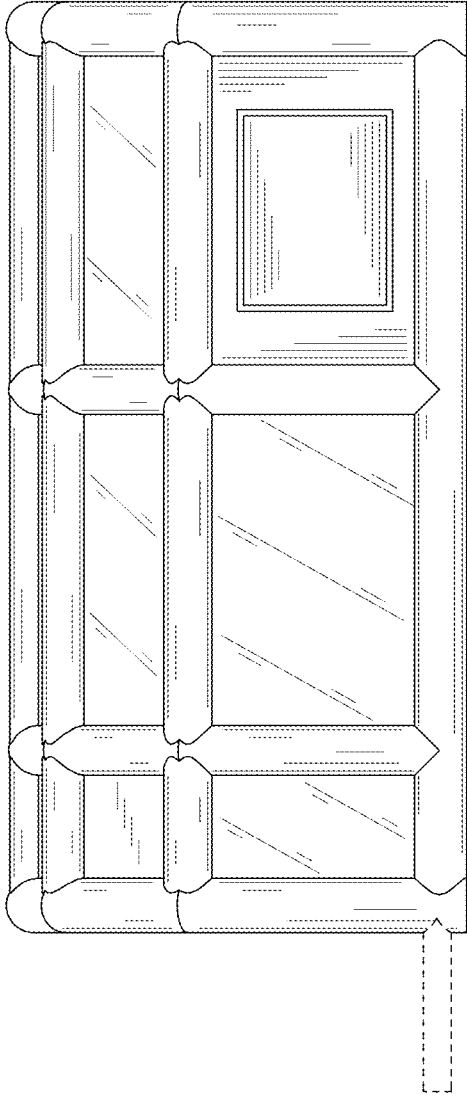


FIG. 5

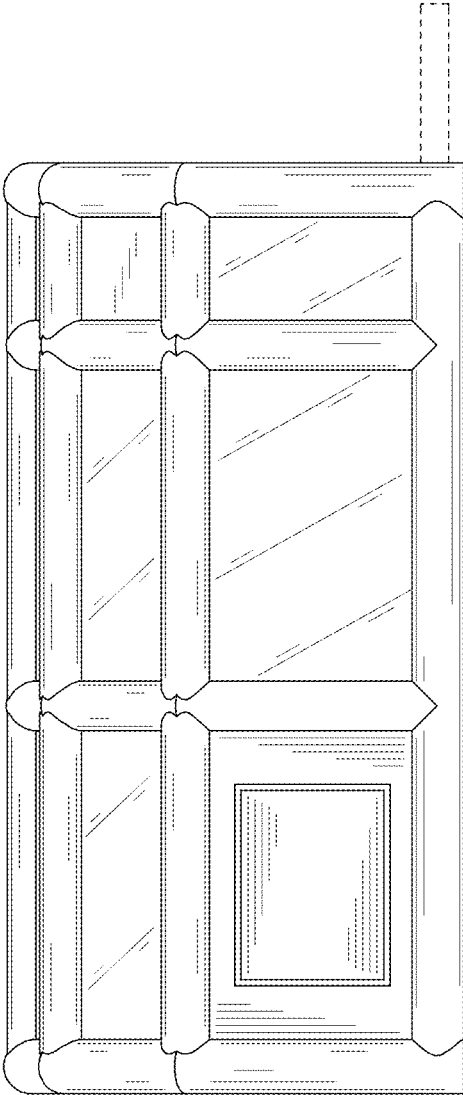


FIG. 6

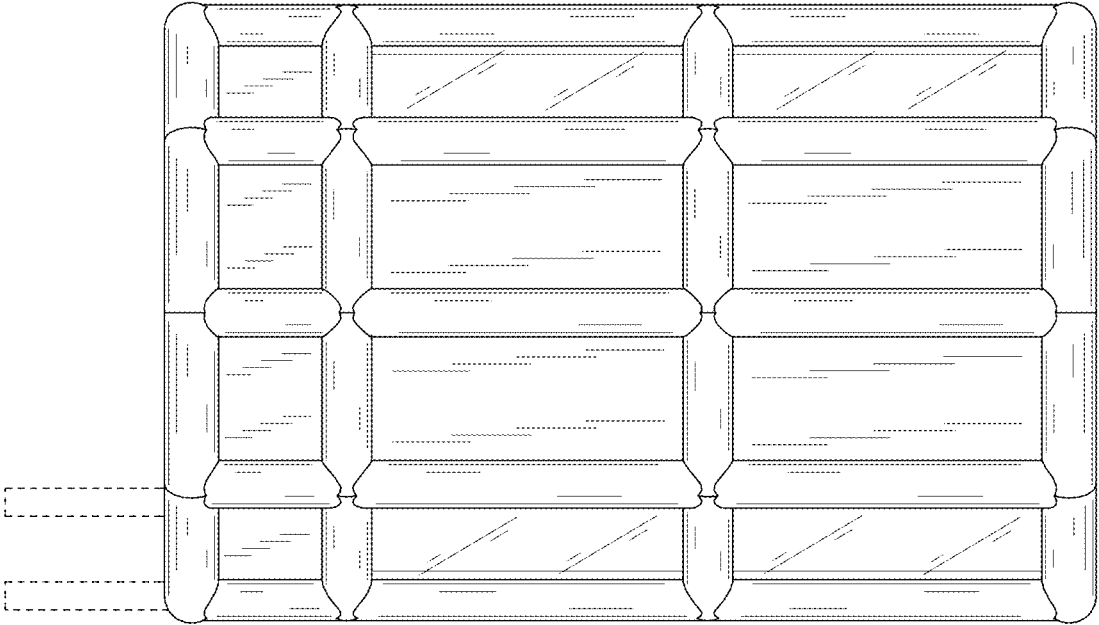


FIG. 7

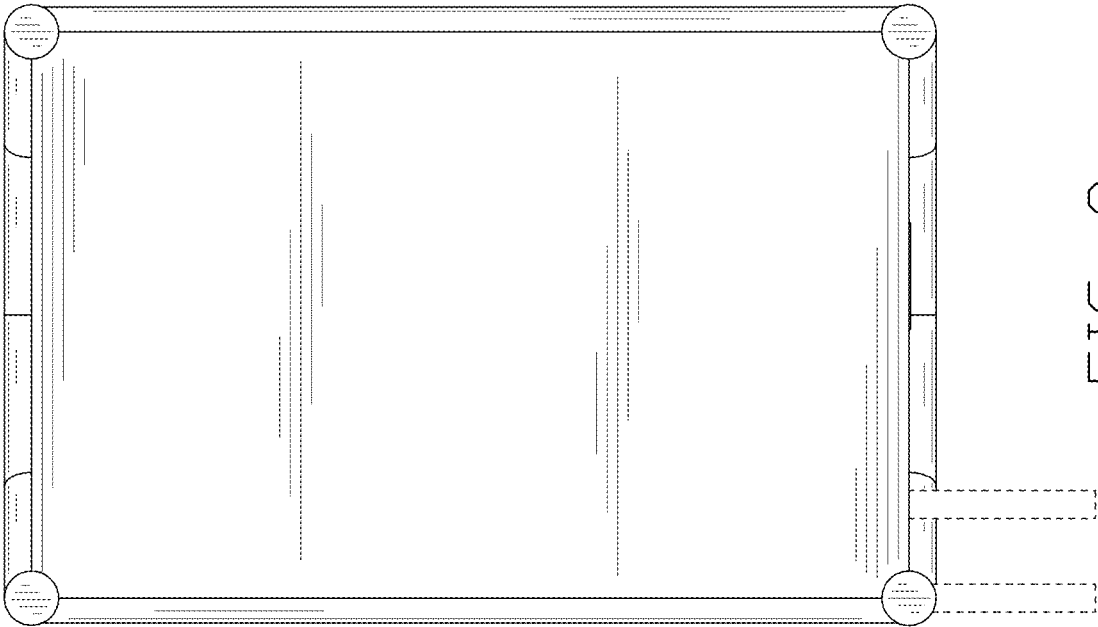


FIG. 8