



US00D926640S

(12) **United States Design Patent**  
**Huang**

(10) **Patent No.:** **US D926,640 S**

(45) **Date of Patent:** **\*\* Aug. 3, 2021**

(54) **FOUR-WHEELED VEHICLE**  
(71) Applicants: **TAIWAN AN I CO., LTD.**, Chia-yi Shiann (TW); **A & I INDUSTRIES LTD SHUNDE FOSHAN**, Foshan (CN)

(72) Inventor: **Chung-Fa Huang**, Chia-yi Shiann (TW)

(73) Assignees: **TAIWAN AN I CO., LTD.**, Chia-yi Shiann (TW); **A & I INDUSTRIES LTD SHUNDE FOSHAN**, Foshan (CN)

(\*\*) Term: **15 Years**

(21) Appl. No.: **29/721,390**

(22) Filed: **Jan. 21, 2020**

(51) **LOC (13) Cl.** ..... **12-12**

(52) **U.S. Cl.**  
USPC ..... **D12/130**

(58) **Field of Classification Search**  
USPC ..... D12/128–133  
CPC ..... A61H 3/00; A61H 3/04; A61H 2003/001–007; A61H 2003/043; A61H 2003/046

See application file for complete search history.

(56) **References Cited**

**U.S. PATENT DOCUMENTS**

D519,423 S \* 4/2006 Tolfsen ..... D12/130  
D754,568 S \* 4/2016 Wang ..... D12/130

D789,255 S \* 6/2017 Delatorre ..... D12/130  
9,687,411 B2 \* 6/2017 Chen ..... A61H 3/04  
D798,778 S \* 10/2017 Lin ..... D12/130  
D816,556 S \* 5/2018 Parr ..... D12/130  
D819,503 S \* 6/2018 Huang ..... D12/130  
D836,499 S \* 12/2018 Delatorre ..... D12/130  
D837,697 S \* 1/2019 Luo ..... D12/130  
D845,841 S \* 4/2019 No-Young ..... D12/130  
D869,347 S \* 12/2019 Huang ..... D12/130  
D897,243 S \* 9/2020 Tsai ..... D12/130  
D897,244 S \* 9/2020 Tangen ..... D12/130  
D902,791 S \* 11/2020 Fellingham ..... D12/130  
D903,538 S \* 12/2020 Lin ..... D12/130

\* cited by examiner

*Primary Examiner* — Charles D Hanson

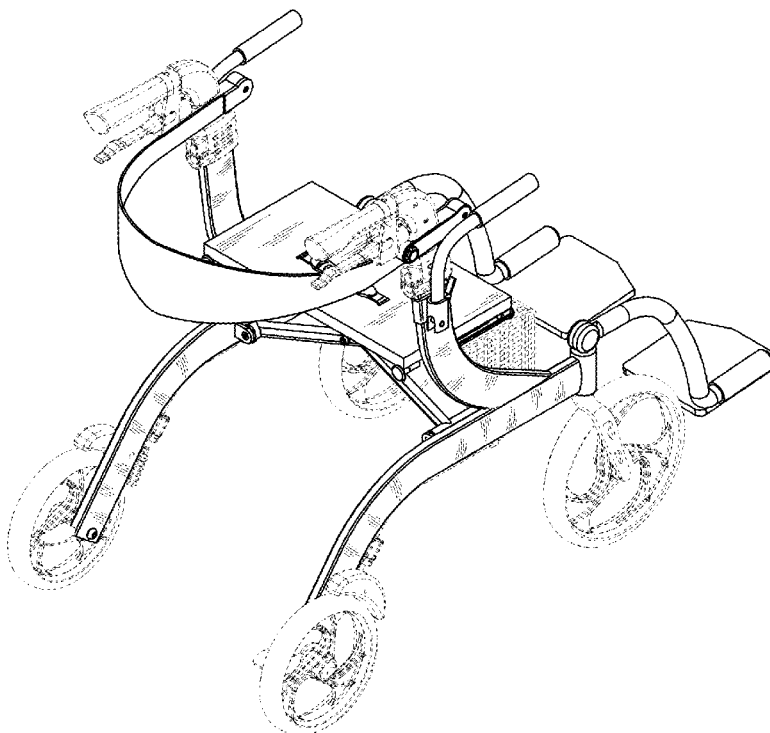
(57) **CLAIM**

The ornamental design for a four-wheeled vehicle, as shown and described.

**DESCRIPTION**

FIG. 1 is a perspective view of a four-wheeled vehicle showing my new design;  
FIG. 2 is a front elevation view thereof;  
FIG. 3 is a rear elevation view thereof;  
FIG. 4 is a left side elevation view thereof;  
FIG. 5 is a right side elevation view thereof;  
FIG. 6 is a top plan view thereof; and,  
FIG. 7 is a bottom plan view thereof.  
The broken lines in the drawings illustrate portions of the four-wheeled vehicle and form no part of the claimed design.

**1 Claim, 7 Drawing Sheets**



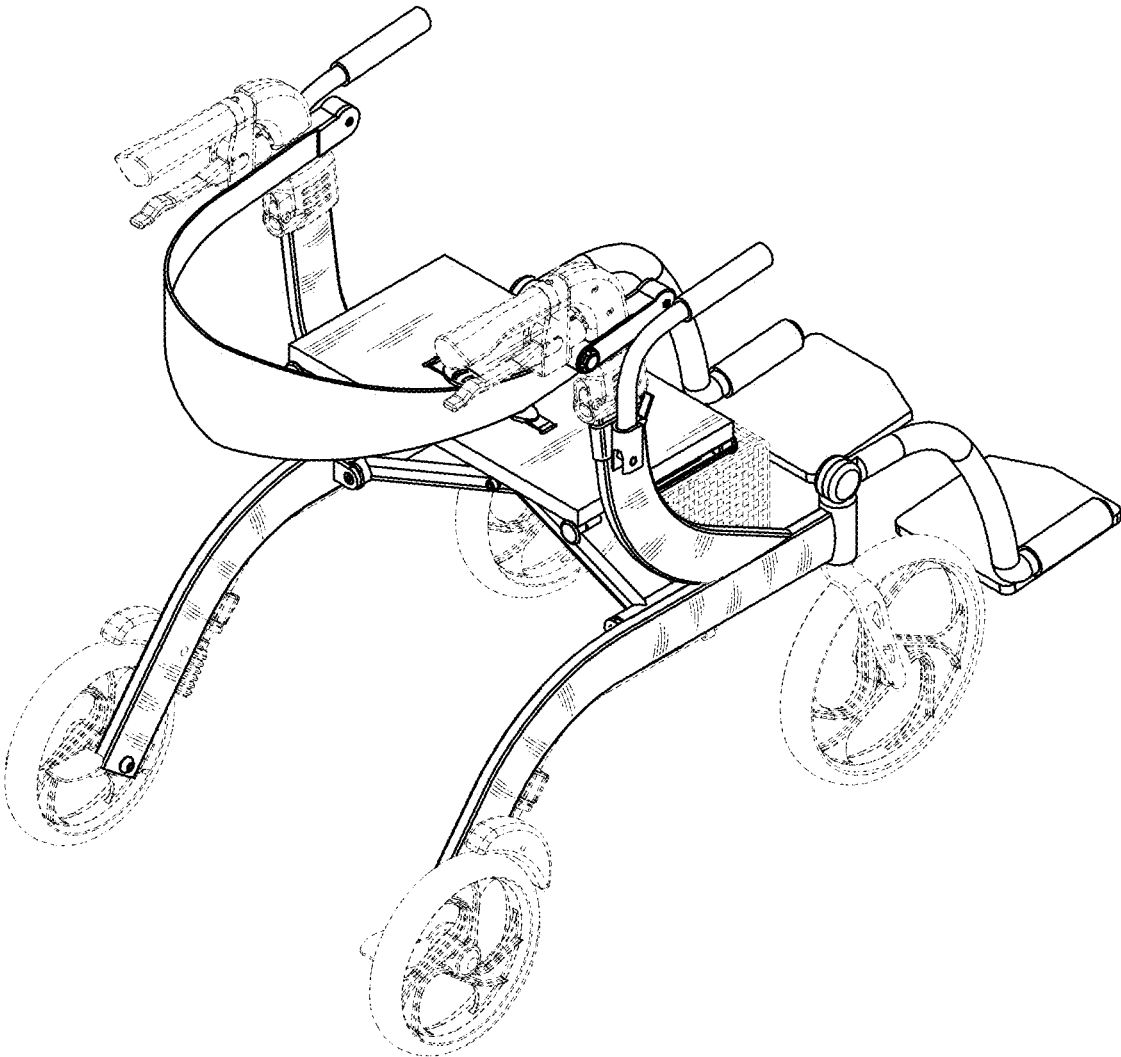


FIG. 1

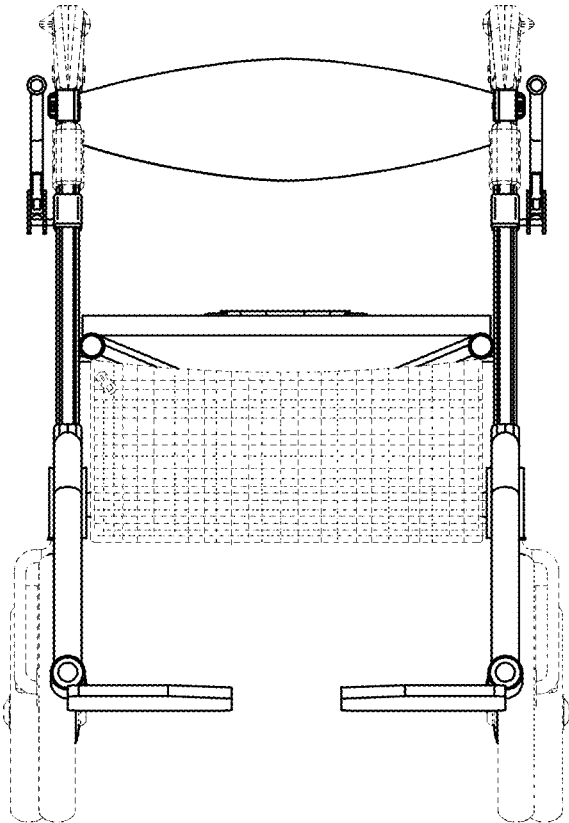


FIG. 2

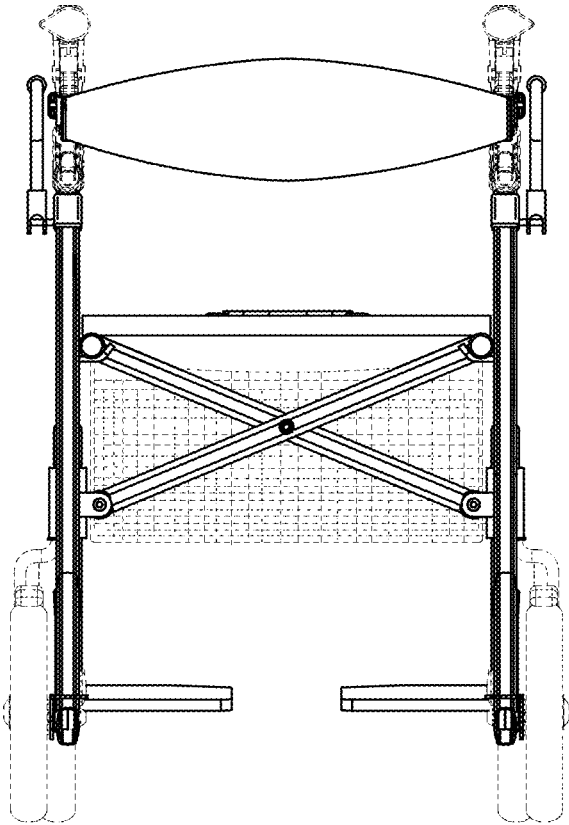


FIG. 3

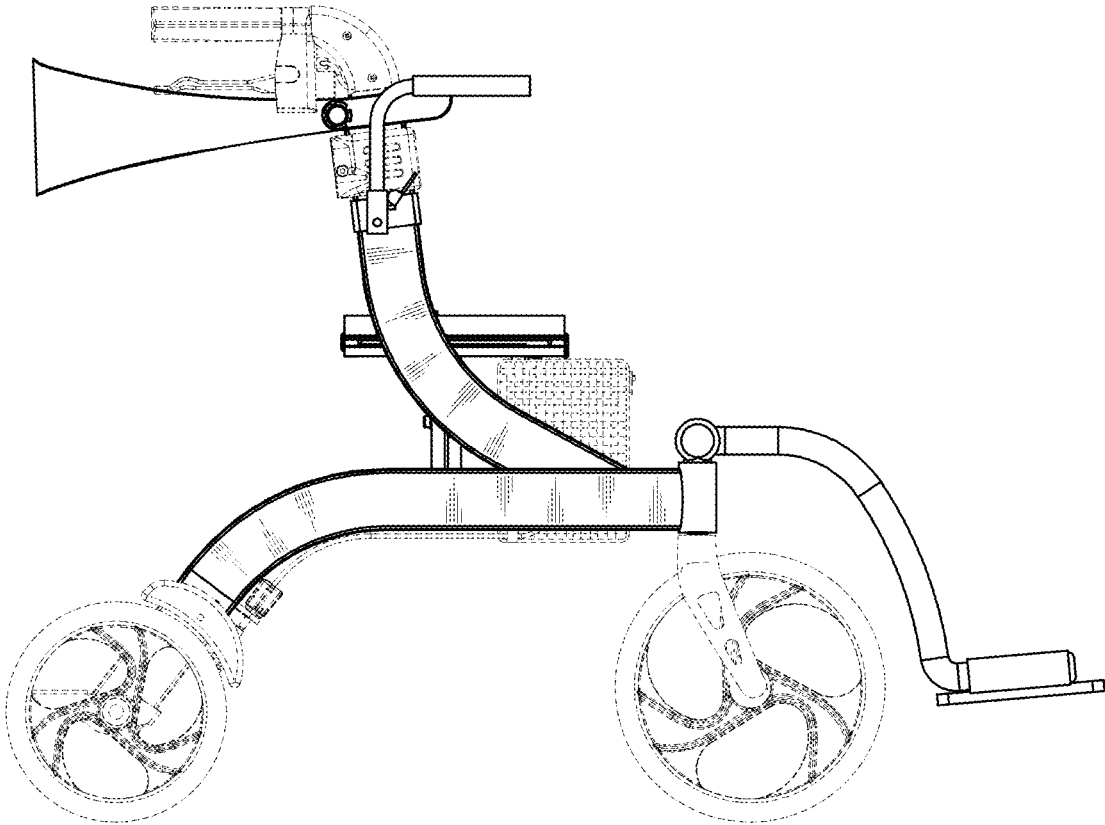


FIG. 4

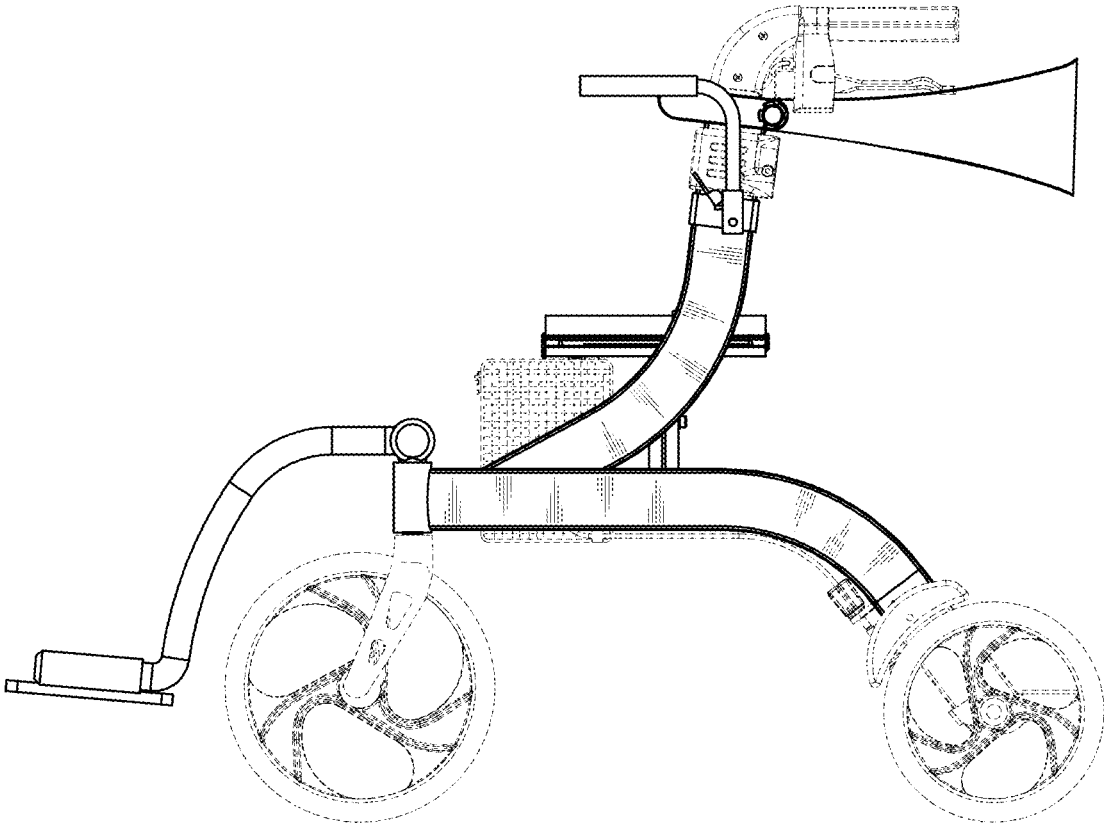


FIG. 5

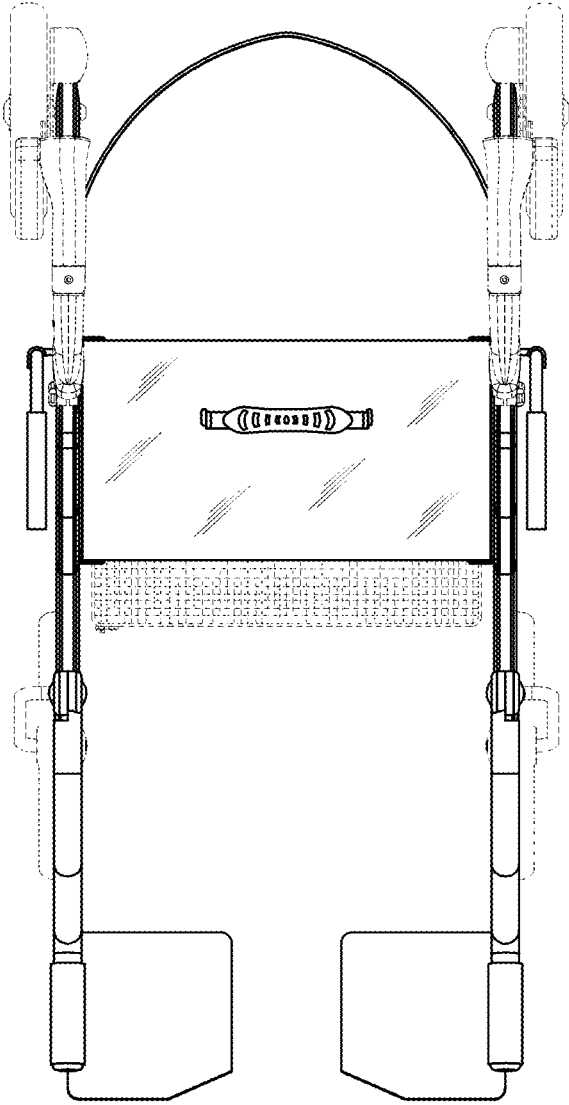


FIG. 6

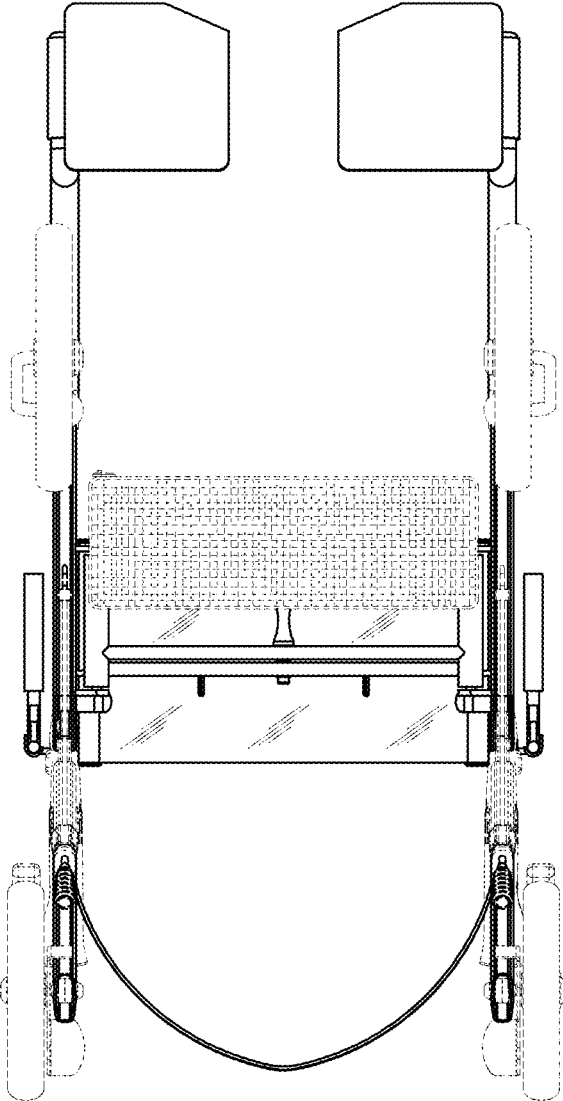


FIG. 7