



US0D1015729S

(12) **United States Design Patent**
Yang

(10) **Patent No.:** **US D1,015,729 S**

(45) **Date of Patent:** **** Feb. 27, 2024**

- (54) **COSMETIC BAG**
- (71) Applicant: **Ziliang Yang**, Guangdong (CN)
- (72) Inventor: **Ziliang Yang**, Guangdong (CN)
- (**) Term: **15 Years**
- (21) Appl. No.: **29/910,092**
- (22) Filed: **Aug. 15, 2023**
- (51) **LOC (14) Cl.** **03-02**
- (52) **U.S. Cl.**
USPC **D3/205**
- (58) **Field of Classification Search**
USPC D3/205, 206, 232.233
CPC A45C 11/00; A45C 11/008; A45C 11/26
See application file for complete search history.

- D965,976 S * 10/2022 Korey A45C 13/02
D3/273
- D967,629 S 10/2022 Wang
- D971,602 S * 12/2022 Dauchin D3/294
- D974,034 S 1/2023 Fang
- D975,443 S 1/2023 Lin
- D975,444 S 1/2023 Wang
- D985,939 S * 5/2023 Underhill D3/285
- D992,279 S 7/2023 Zhang

* cited by examiner

Primary Examiner — Charles D Hanson

(74) *Attorney, Agent, or Firm* — Daniel M. Cohn;
Howard M. Cohn

(57) **CLAIM**

The ornamental design for a cosmetic bag, as shown and described.

(56) **References Cited**

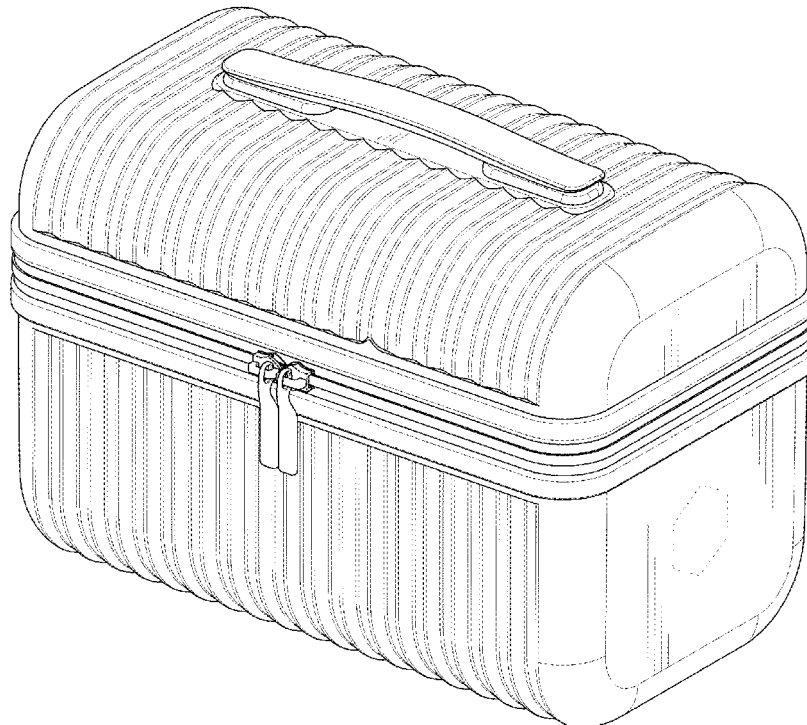
U.S. PATENT DOCUMENTS

- D325,818 S * 5/1992 Kim D3/289
- D418,297 S * 1/2000 Budert D3/294
- D613,054 S * 4/2010 Morszeck D3/205
- D665,169 S * 8/2012 Filip D3/289
- D847,503 S * 5/2019 Dunleavy D3/289
- D896,501 S * 9/2020 Guo D3/203.3
- D917,883 S * 5/2021 Smith D3/301
- D920,665 S * 6/2021 Wu D3/289
- D920,676 S 6/2021 Zhang
- D927,849 S 8/2021 Imsand et al.
- D930,359 S * 9/2021 Dauchin D3/276
- D937,559 S * 12/2021 Tartaglia D3/289
- D946,278 S 3/2022 Mo
- D955,751 S 6/2022 Coughlan et al.
- D962,637 S 9/2022 Zimerbort

DESCRIPTION

FIG. 1 is a front perspective view of a cosmetic bag, showing my new design;
 FIG. 2 is a rear perspective view thereof;
 FIG. 3 is a front elevational view thereof;
 FIG. 4 is a rear elevational view thereof;
 FIG. 5 is a left side view thereof;
 FIG. 6 is a right side view thereof;
 FIG. 7 is a top plan view thereof; and,
 FIG. 8 is a bottom plan view thereof.
 The dashed broken lines in the figures are for the purposes of illustrating portions of the cosmetic bag, which form no part of the claimed design.

1 Claim, 8 Drawing Sheets



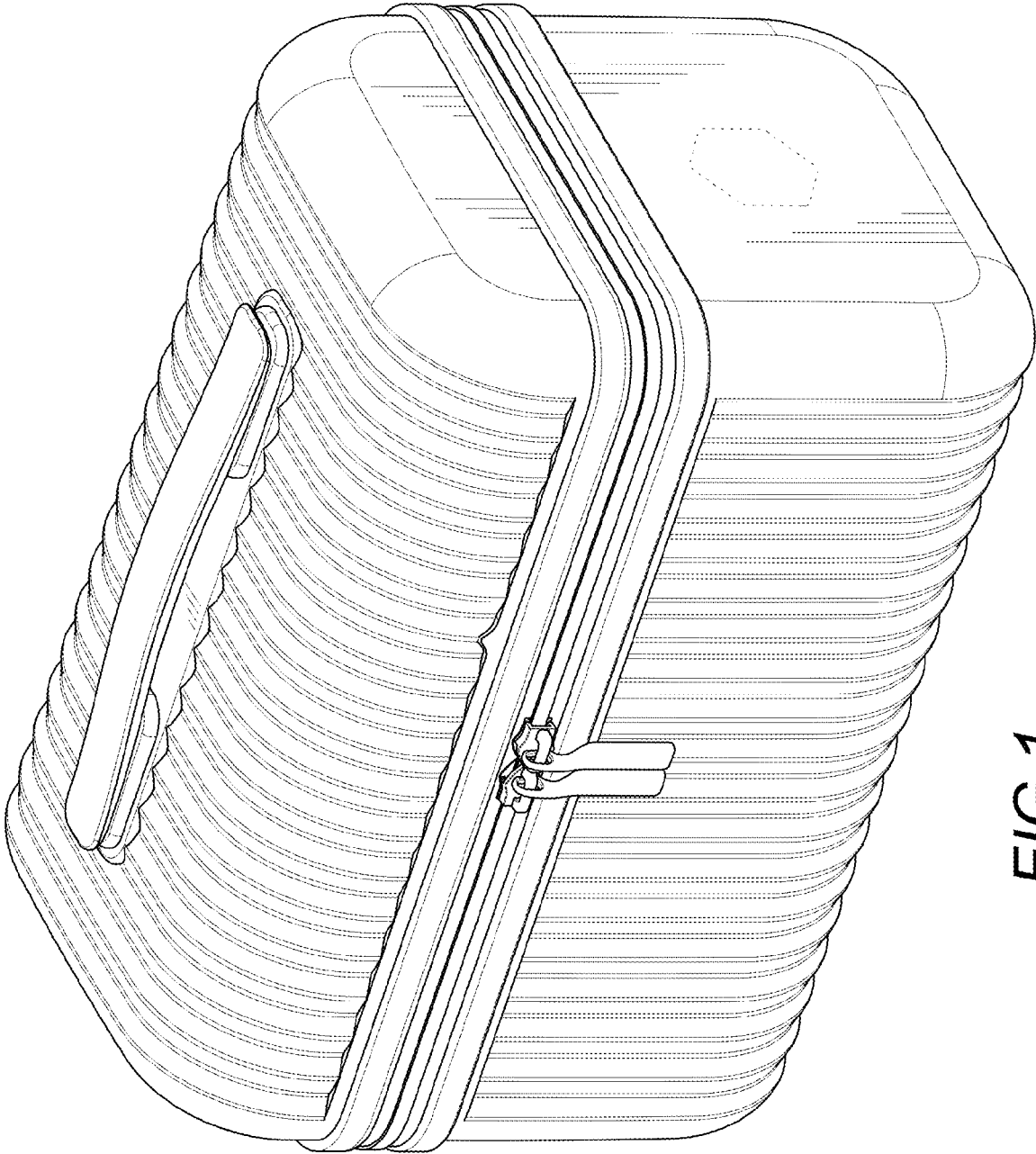


FIG.1

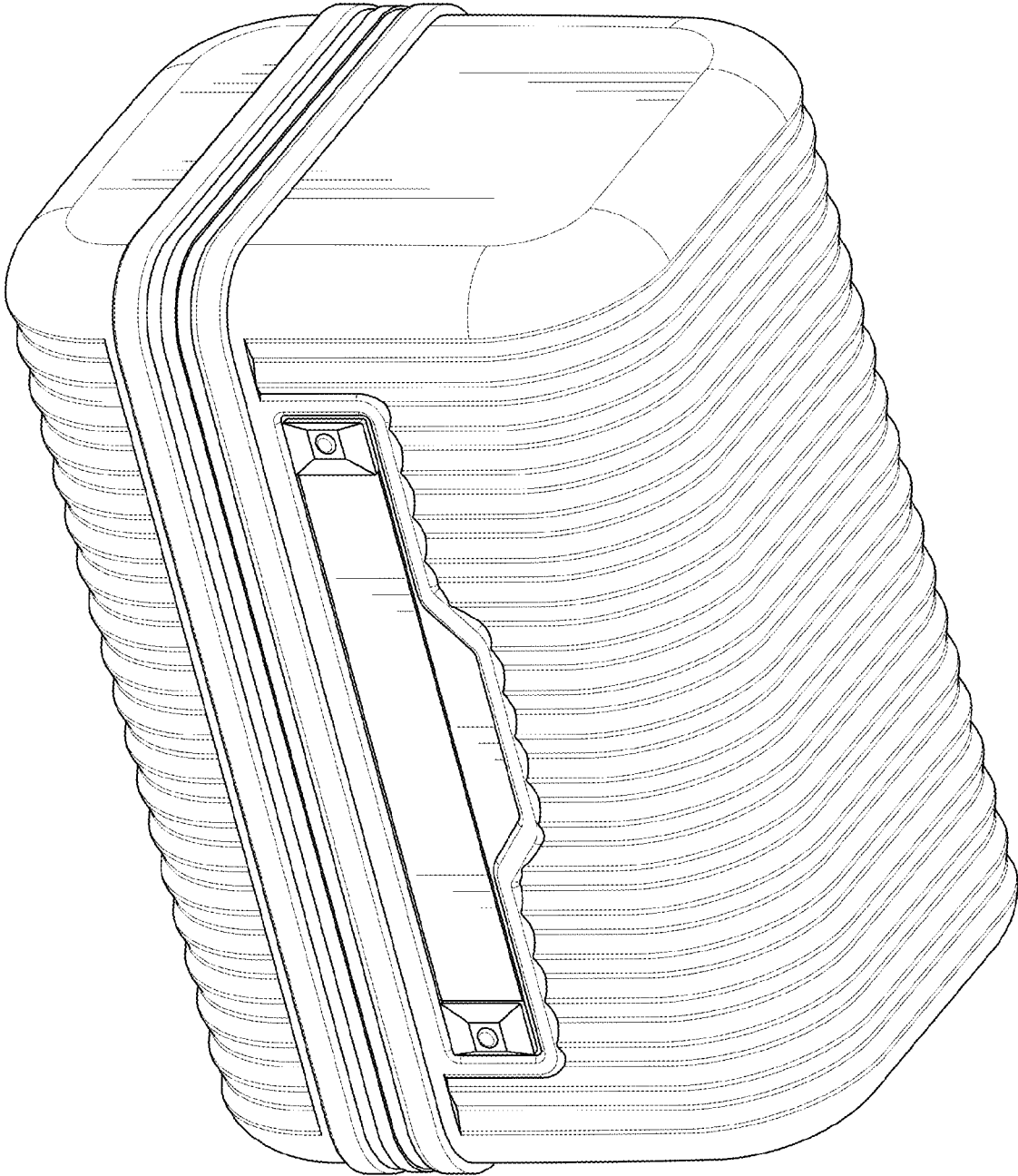


FIG. 2

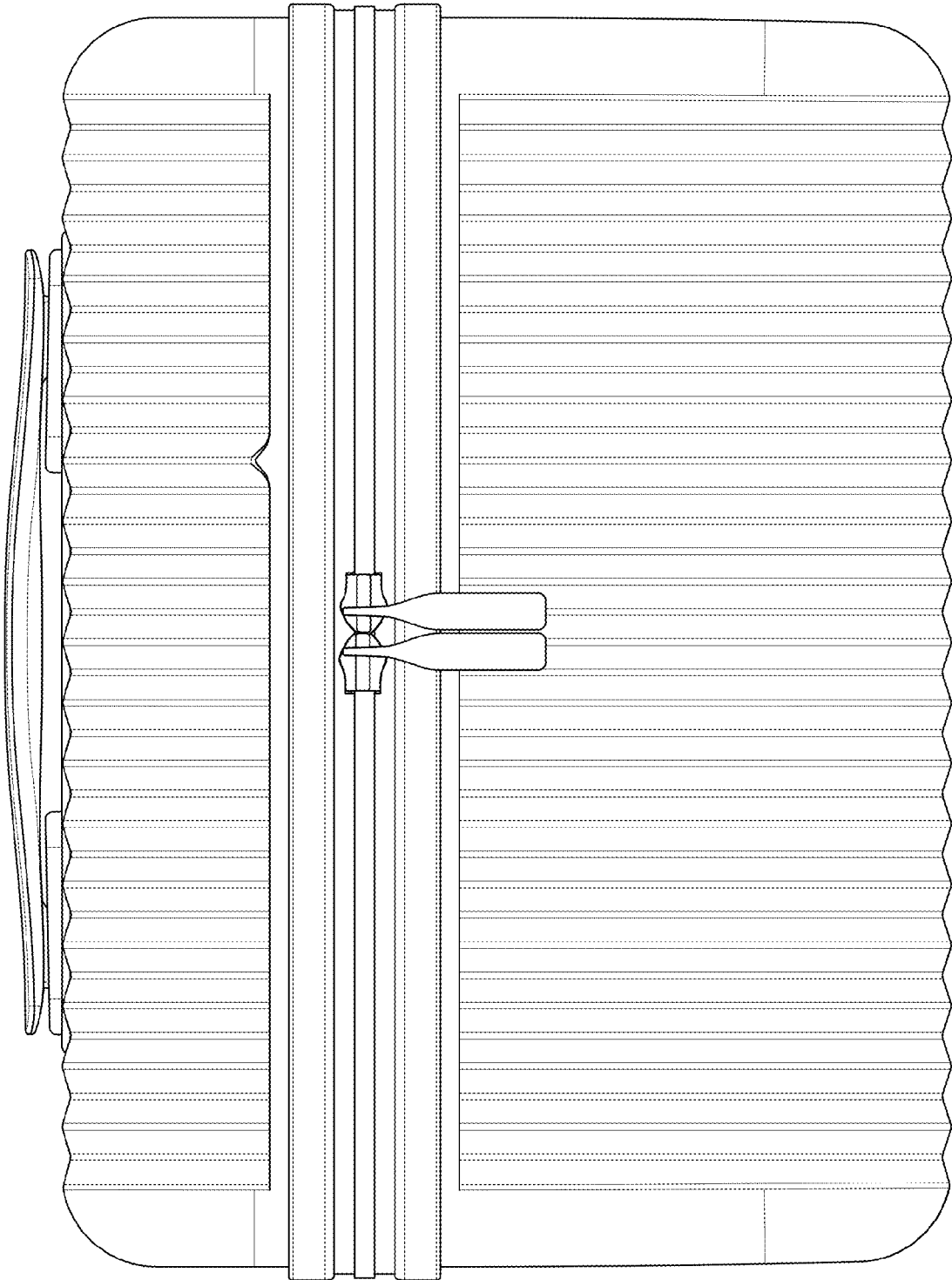


FIG. 3

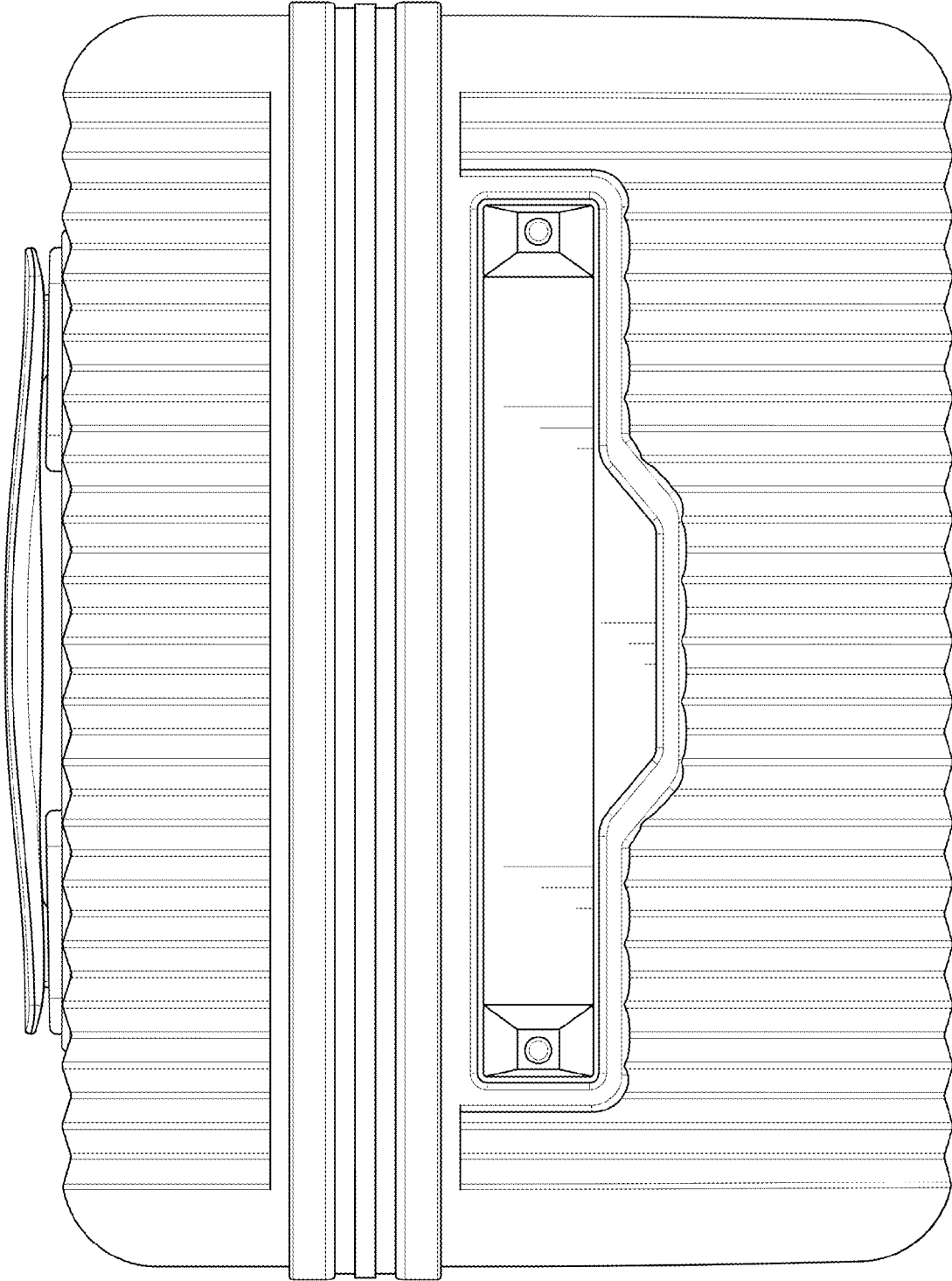


FIG.4

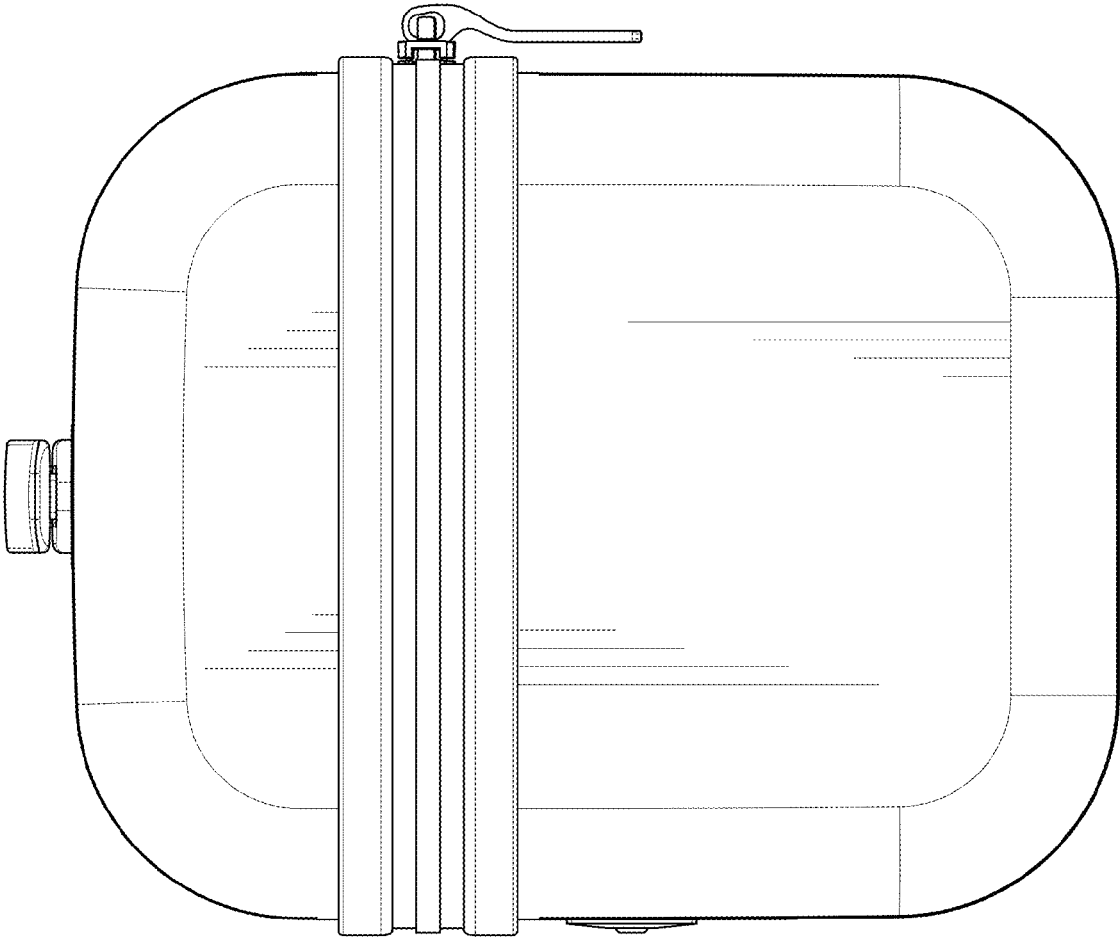
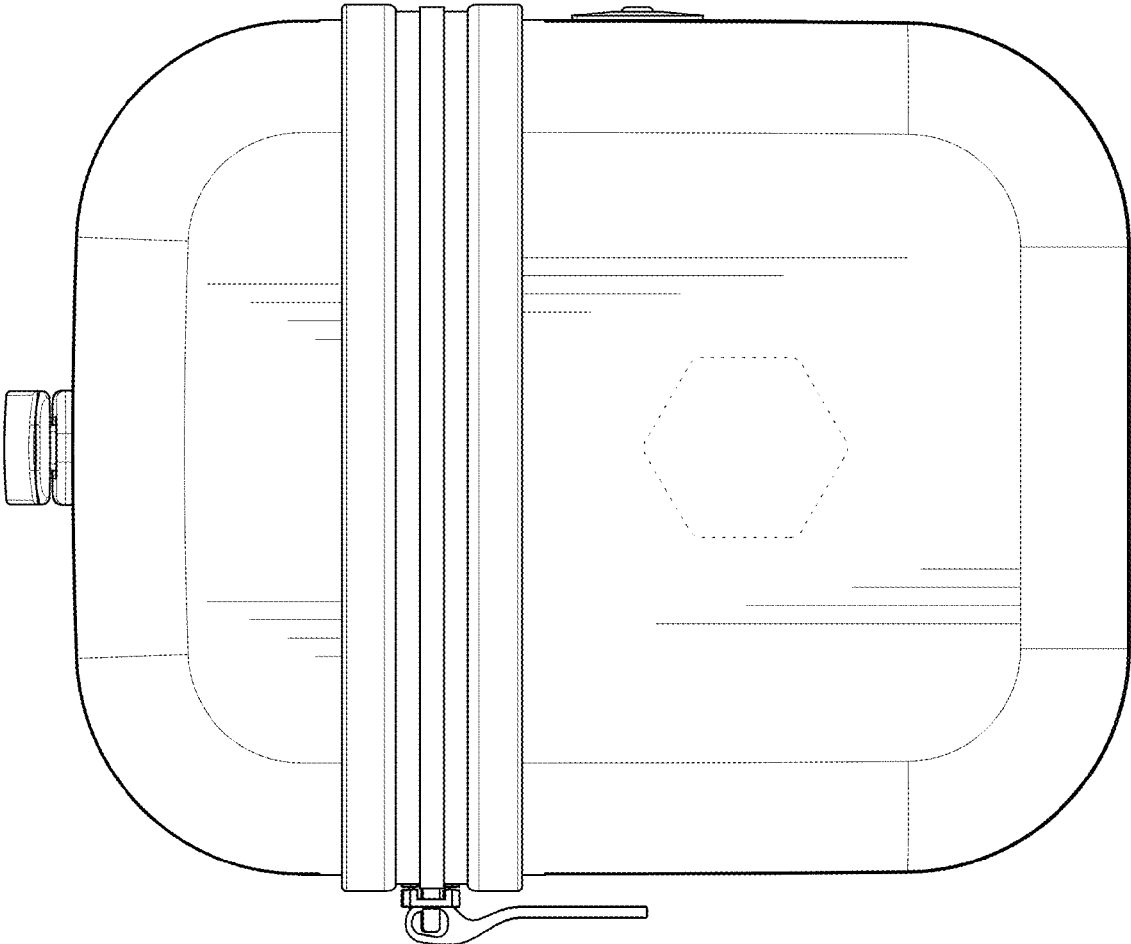


FIG. 5

FIG. 6



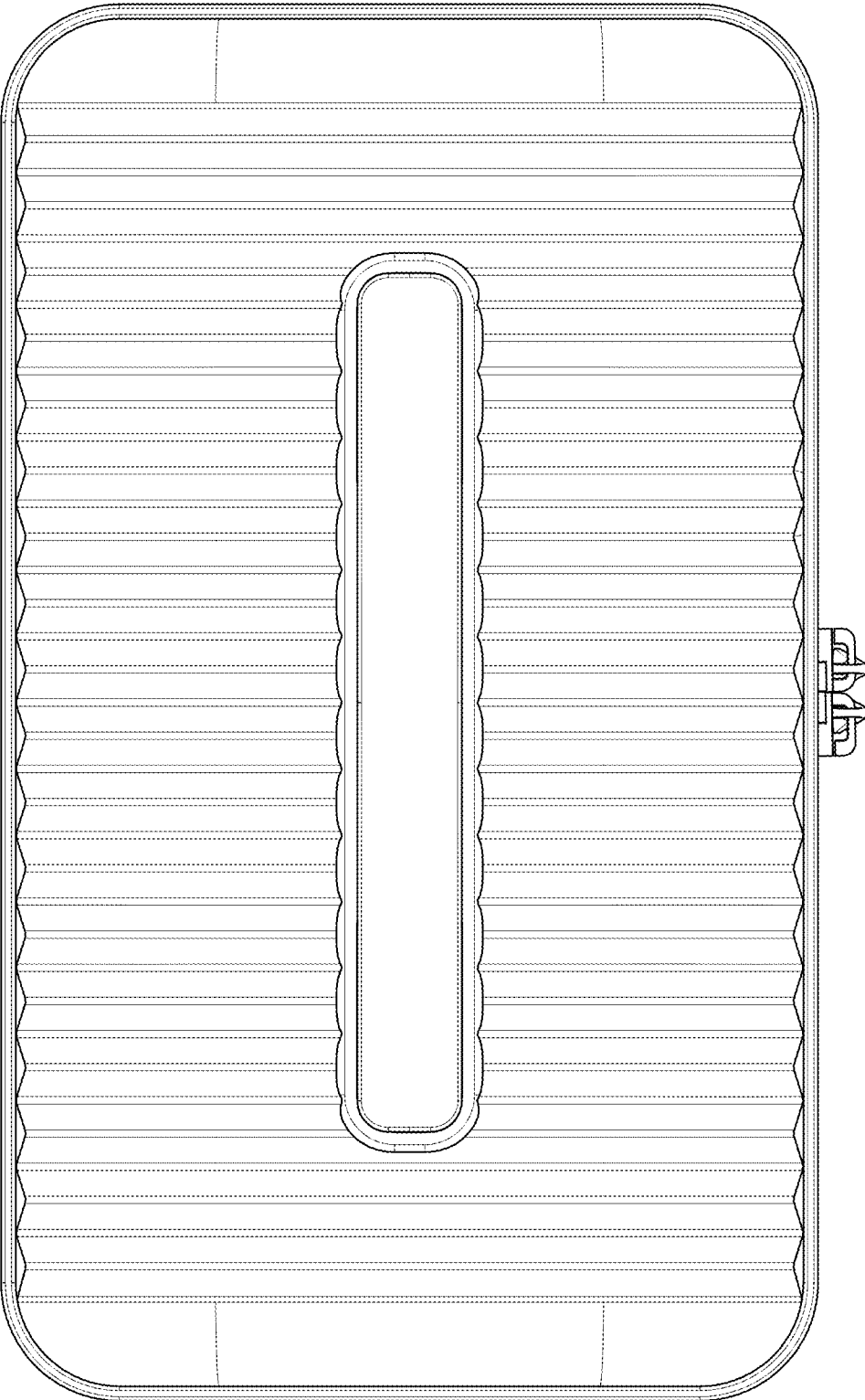


FIG. 7

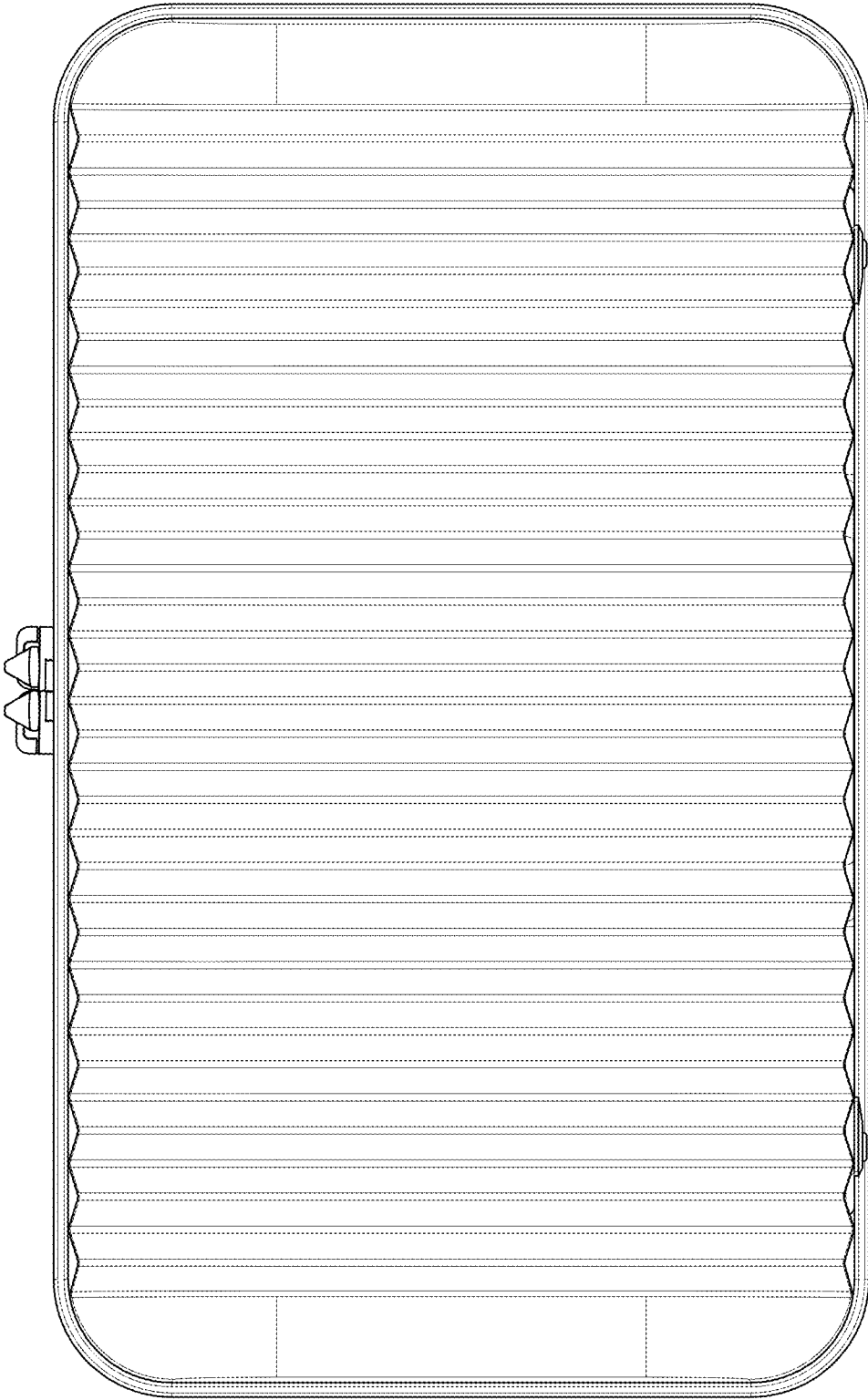


FIG. 8