



US00D466551S

(12) **United States Design Patent** (10) **Patent No.:** **US D466,551 S**  
**Nagai** (45) **Date of Patent:** **\*\* Dec. 3, 2002**

(54) **COMBINED PRINTER AND MONITOR**

(75) Inventor: **Atsuo Nagai, Tokyo (JP)**

(73) Assignee: **Sony Corporation, Tokyo (JP)**

(\*\*) Term: **14 Years**

(21) Appl. No.: **29/149,923**

(22) Filed: **Oct. 23, 2001**

(51) **LOC (7) Cl.** ..... **14-02**

(52) **U.S. Cl.** ..... **D18/50**

(58) **Field of Search** ..... D14/300, 336,  
D14/371, 305, 307, 334, 340, 345, 374,  
373, 375, 382, 462-470, 136, 156; D18/14,  
19, 36-39, 50, 54-55; 400/613, 613.1-613.4,  
691-694, 690.1-690.4; D21/330

(56) **References Cited**

**U.S. PATENT DOCUMENTS**

D288,324 S	*	2/1987	Moggridge	.....	D18/54
D306,582 S	*	3/1990	Miyahara et al.	.....	D14/382
RE33,425 E	*	11/1990	Nihei	.....	D18/36
D340,946 S	*	11/1993	Kobayashi	.....	D18/55
D375,116 S	*	10/1996	Chiba	.....	D14/334
D376,823 S	*	12/1996	Ikenaga	.....	D21/330
D377,648 S	*	1/1997	Young	.....	D14/136
D396,214 S	*	7/1998	Lemke et al.	.....	D14/336
D410,464 S		6/1999	Hakoda		
D412,900 S	*	8/1999	Utsugi	.....	D14/156
D418,157 S	*	12/1999	Han	.....	D18/50

D421,001 S		2/2000	Miyashita		
D430,551 S		9/2000	Shiono		
D430,596 S	*	9/2000	Shiozaki et al.	.....	D18/54
D430,870 S	*	9/2000	Maruyama et al.	.....	D14/340
D431,047 S	*	9/2000	Yokakowa	.....	D18/50
D444,811 S	*	7/2001	Yamamoto	.....	D18/50
D447,137 S	*	8/2001	Hultzman	.....	D14/336
D449,064 S	*	10/2001	Saitoh et al.	.....	D18/50
D450,343 S	*	11/2001	Matsuo et al.	.....	D18/39
D456,443 S	*	4/2002	Igarashi	.....	D18/50
D458,631 S	*	6/2002	Pangburn et al.	.....	D18/55

\* cited by examiner

*Primary Examiner*—Cathy Anne MacCormac

(74) *Attorney, Agent, or Firm*—Rader, Fishman & Grauer PLLC

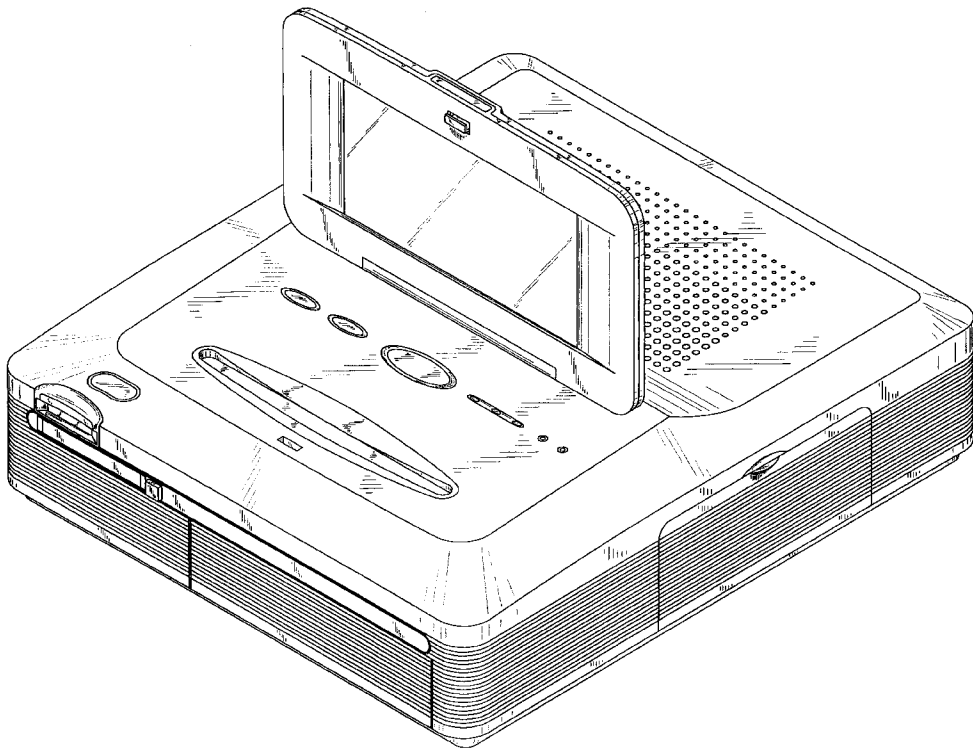
(57) **CLAIM**

The ornamental design for a combined printer and monitor, as shown and described.

**DESCRIPTION**

FIG. 1 is a perspective view of a combined printer and monitor showing my new design;  
FIG. 2 is a front elevational view thereof;  
FIG. 3 is a rear elevational view thereof;  
FIG. 4 is a left side elevational view thereof;  
FIG. 5 is a right side elevational view thereof;  
FIG. 6 is a top plan view thereof; and,  
FIG. 7 is a bottom plan view thereof.

**1 Claim, 5 Drawing Sheets**



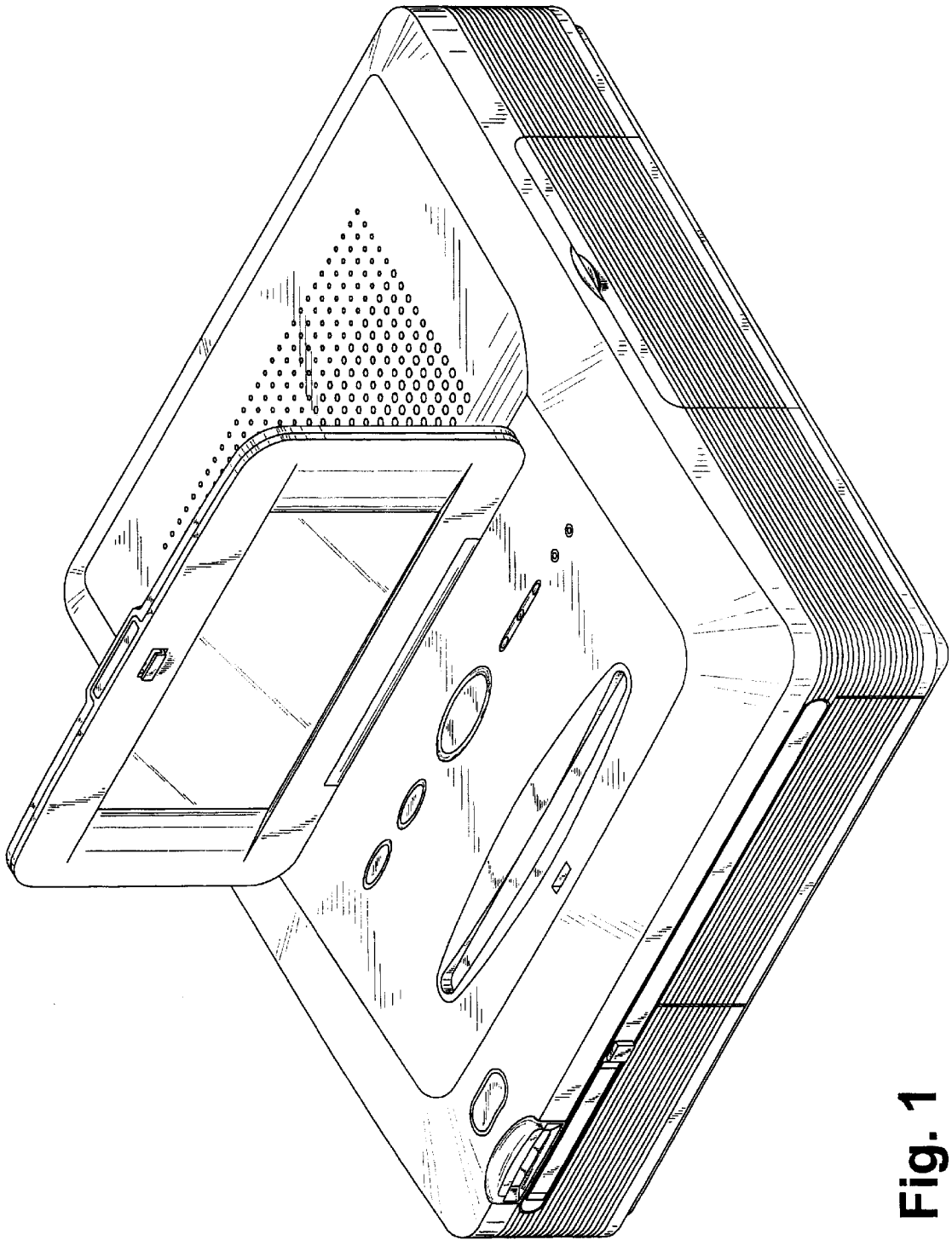


Fig. 1

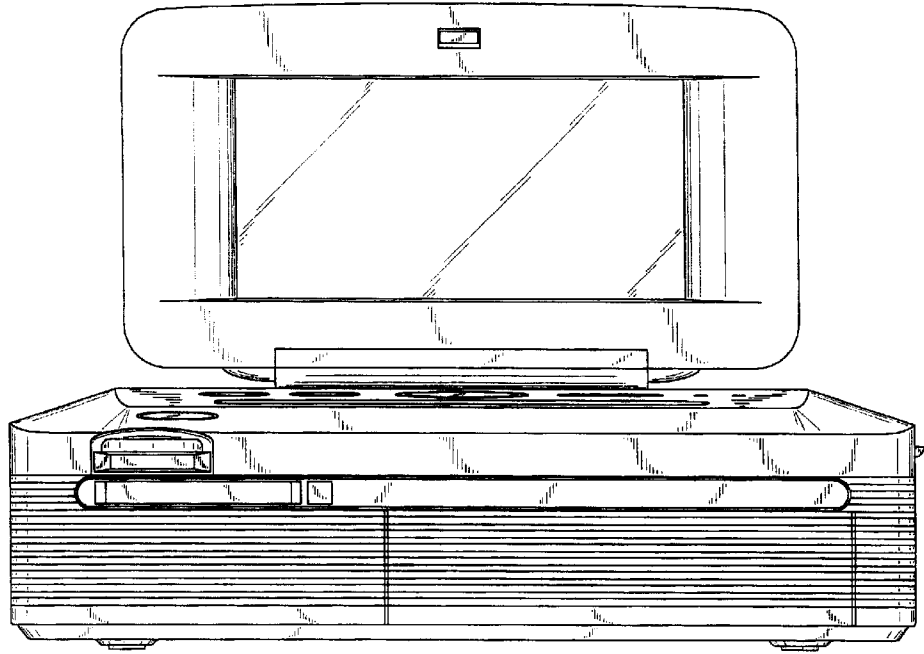


Fig. 2

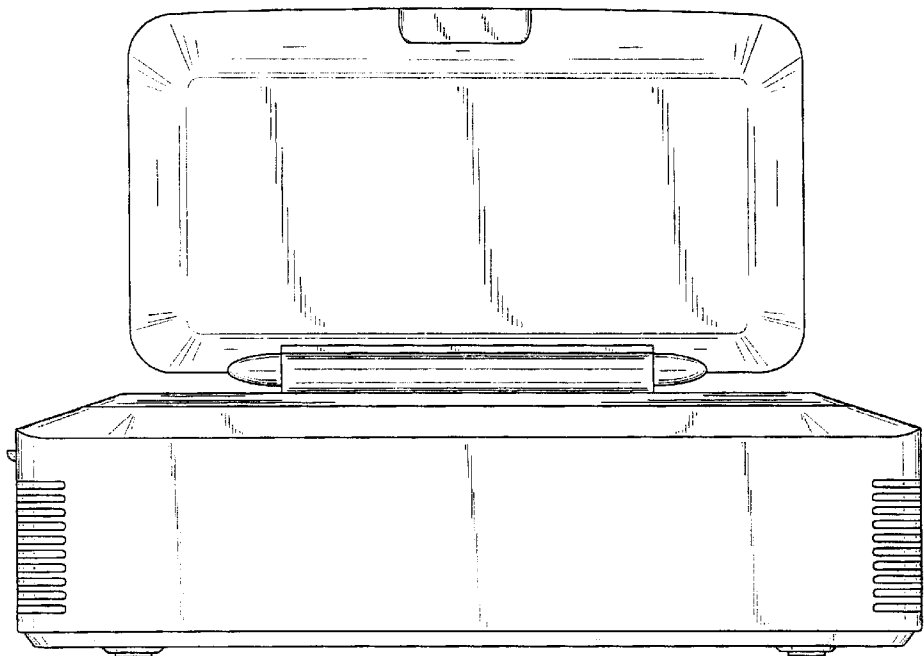
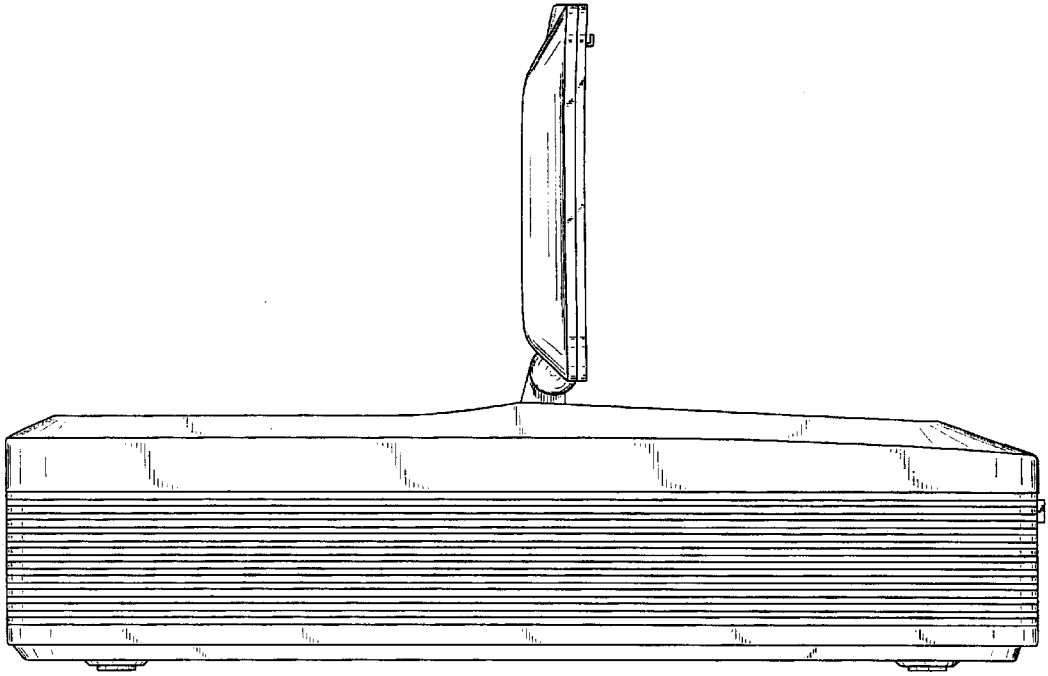
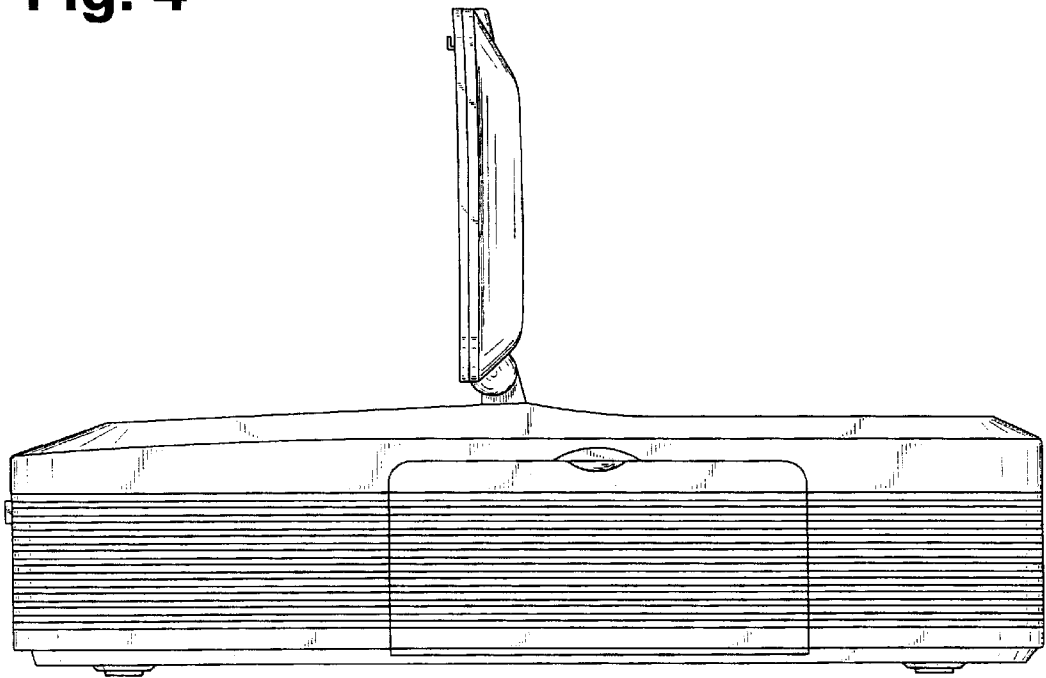


Fig. 3



**Fig. 4**



**Fig. 5**

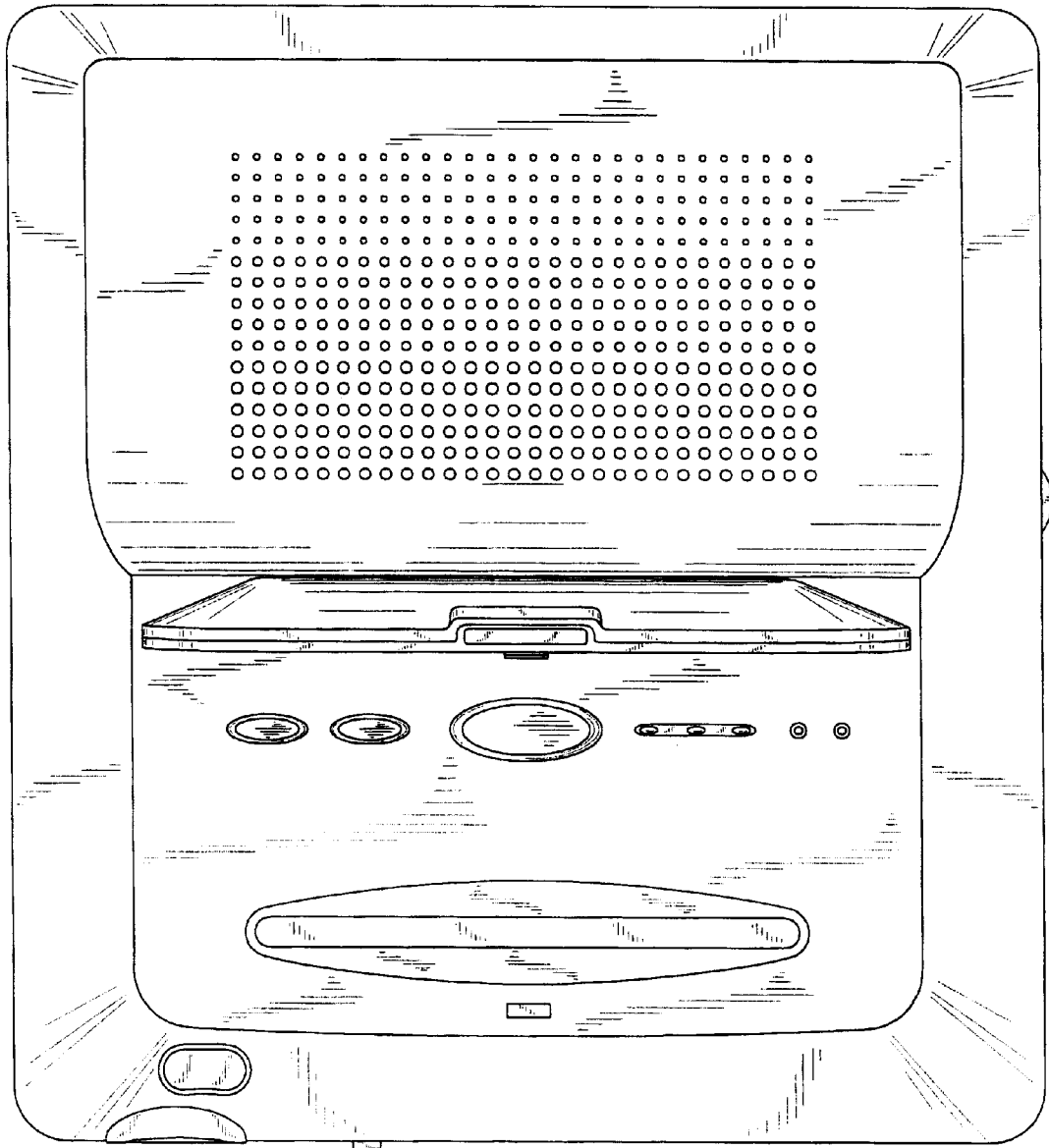


Fig. 6

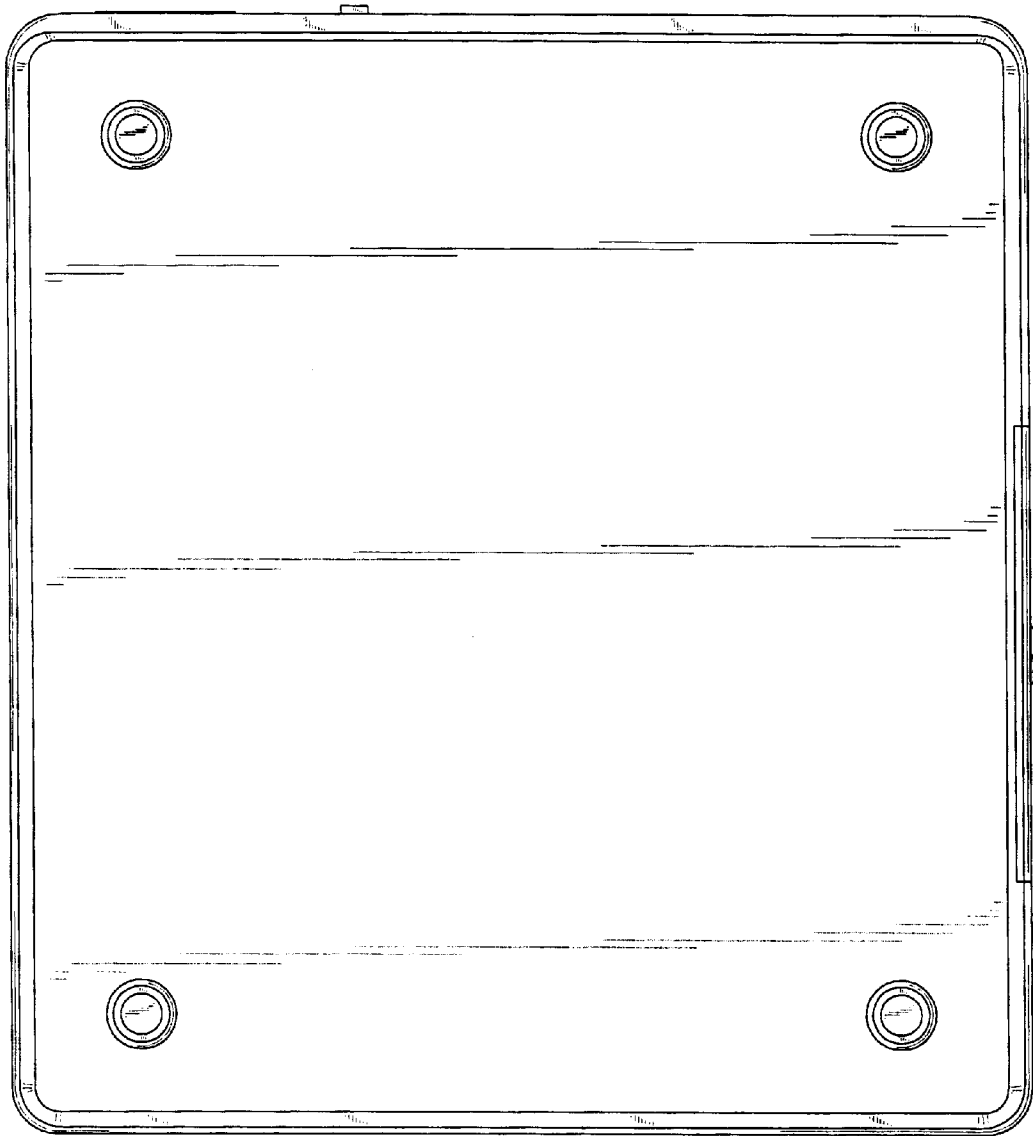


Fig. 7