



US00D982921S

(12) **United States Design Patent**  
**Fields**

(10) **Patent No.:** **US D982,921 S**

(45) **Date of Patent:** **\*\* Apr. 11, 2023**

(54) **SOFA THAT CONVERTS INTO A LOUNGER AND A BED**

*Primary Examiner* — Deanna L Pratt  
(74) *Attorney, Agent, or Firm* — Michael P. Adams;  
Dykema Gossett PLLC

(71) Applicant: **Gjemeni, Inc.**, Newark, CA (US)

(57) **CLAIM**

(72) Inventor: **Eric Fields**, Newark, CA (US)

The ornamental design for a sofa that converts into a lounge and a bed, as shown in FIGS. 1-12, and described herein.

(73) Assignee: **Gjemeni, Inc.**, Newark, CA (US)

**DESCRIPTION**

(\*\*) Term: **15 Years**

(21) Appl. No.: **29/722,033**

(22) Filed: **Jan. 24, 2020**

(51) **LOC (14) Cl.** ..... **06-01**

(52) **U.S. Cl.**  
USPC ..... **D6/381; D6/335**

(58) **Field of Classification Search**  
USPC ..... D6/334, 335, 367, 368, 370, 381, 382,  
D6/383, 392  
CPC ..... A47C 17/16; A47C 17/161; A47C 17/162;  
A47C 17/163; A47C 17/17; A47C  
17/175; A47C 17/1753; A47D 11/005;  
A47D 11/00

See application file for complete search history.

FIG. 1 is a front perspective view of the sofa that converts into a lounge and a bed, being in a sofa position; FIG. 2 is a perspective view of the sofa that converts into a lounge and a bed, with a split backrest in which the left section of the split backrest is in a sofa position and the right section of the split backrest is in a bed position; FIG. 3 is a perspective view of the sofa that converts into a lounge and a bed, being in a bed position; FIG. 4 is a front view of the sofa that converts into a lounge and a bed, being in a sofa position; FIG. 5 is a back view of the sofa that converts into a lounge and a bed, being in a sofa position; FIG. 6 is a side view of the sofa that converts into a lounge and a bed, being in a sofa position; FIG. 7 is a side view of the sofa that converts into a lounge and a bed, being in a sofa position; FIG. 8 is a bottom view of the sofa that converts into a lounge and a bed, being in a sofa position; FIG. 9 is a top view of the sofa that converts into a lounge and a bed, being in a sofa position; FIG. 10 is a top view of the sofa that converts into a lounge and a bed, being in a bed position; FIG. 11 is a perspective view of the sofa that converts into a lounge and a bed, being in a sofa position with raised arm sections; and, FIG. 12 is a perspective view of the sofa that converts into a lounge and a bed, being in a lounge position. The broken lines shown in the drawings are for illustrative purposes only and form no part of the claimed design.

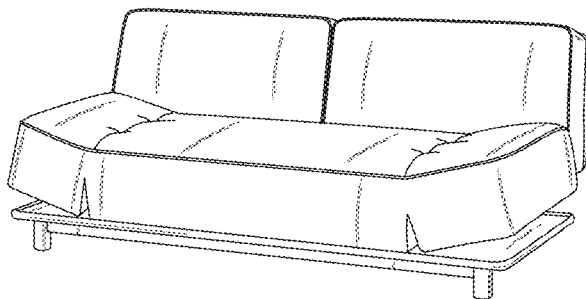
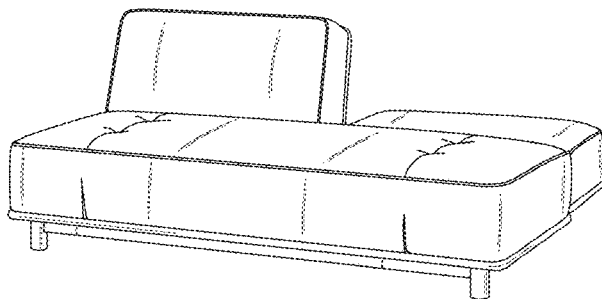
(56) **References Cited**

**U.S. PATENT DOCUMENTS**

D444,305	S	*	7/2001	Mourgue	.....	D6/381
D446,962	S	*	8/2001	Mourgue	.....	D6/381
D498,075	S	*	11/2004	Mourgue	.....	D6/381
D610,366	S	*	2/2010	Kanhasamy	.....	D6/381
D675,460	S	*	2/2013	Kanhasamy	.....	D6/381
D718,552	S	*	12/2014	Kanhasamy	.....	D6/381
D799,221	S	*	10/2017	Pathiratne	.....	D6/381
D799,222	S	*	10/2017	Pathiratne	.....	D6/381
D804,834	S	*	12/2017	Kanhasamy	.....	D6/381
D829,452	S	*	10/2018	Kanhasamy	.....	D6/381
D836,349	S	*	12/2018	Kanhasamy	.....	D6/381
D836,350	S	*	12/2018	Kanhasamy	.....	D6/381

(Continued)

**1 Claim, 5 Drawing Sheets**



(56)

**References Cited**

U.S. PATENT DOCUMENTS

D836,926	S *	1/2019	Kanhasamy	.....	D6/381
D836,927	S *	1/2019	Kanhasamy	.....	D6/381
D841,992	S *	3/2019	Kershner	.....	D6/381
D891,128	S *	7/2020	Kanhasamy	.....	D6/381
D891,129	S *	7/2020	Kanhasamy	.....	D6/381
D891,130	S *	7/2020	Kanhasamy	.....	D6/381
D899,110	S *	10/2020	King	.....	D6/381
D904,041	S *	12/2020	Kanhasamy	.....	D6/381
D904,042	S *	12/2020	Kanhasamy	.....	D6/381
D939,227	S *	12/2021	Kanhasamy	.....	D6/335
D939,846	S *	1/2022	Kanhasamy	.....	D6/335
D942,163	S *	2/2022	Kanhasamy	.....	D6/381
11,384,782	B2 *	7/2022	Pathiratne	.....	F16B 12/38
D959,158	S *	8/2022	Kanhasamy	.....	D6/335
2011/0016626	A1 *	1/2011	Kanhasamy	.....	A47C 17/16
					5/37.1
2020/0143929	A1 *	5/2020	Pathiratne	.....	A47C 7/5066

\* cited by examiner

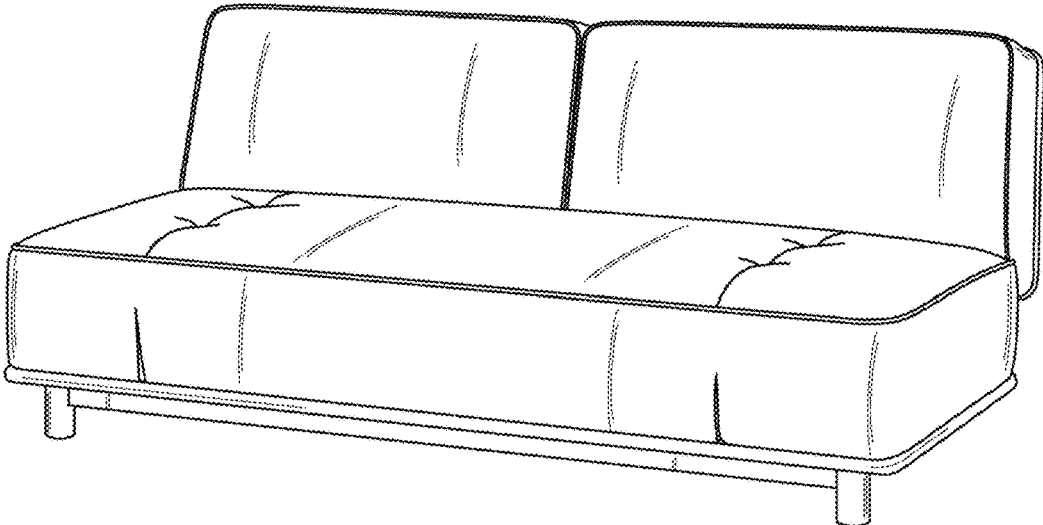


FIG. 1

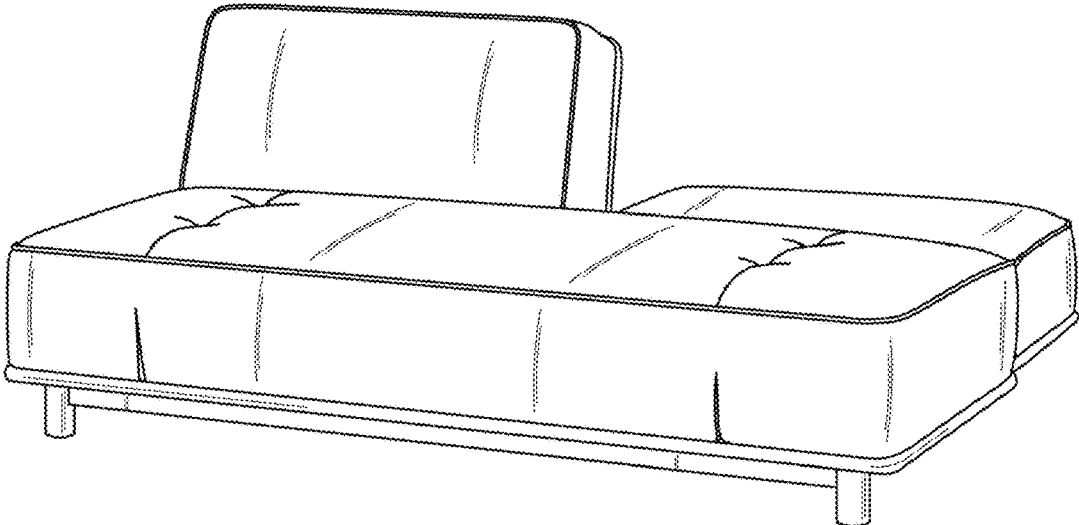


FIG. 2

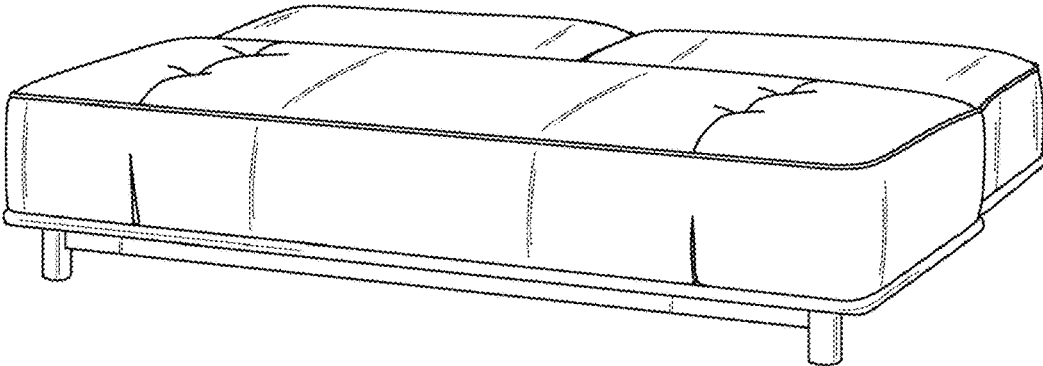


FIG. 3

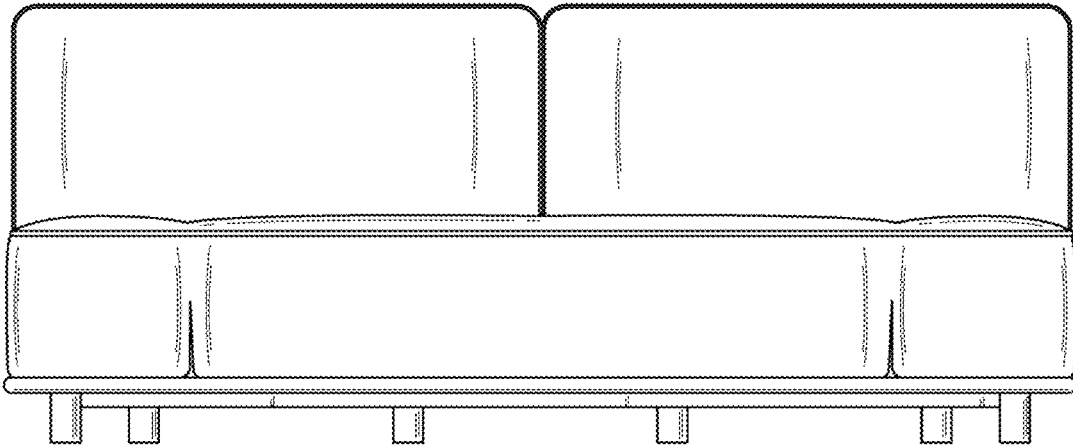


FIG. 4

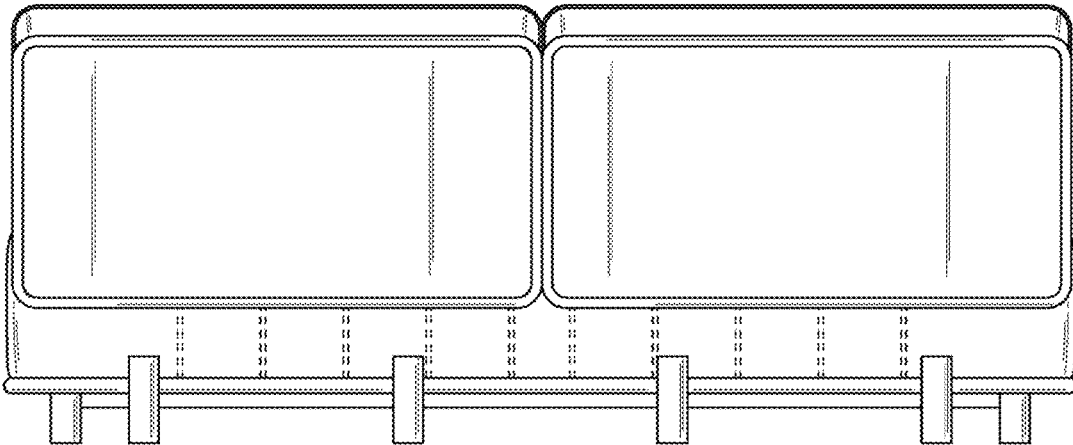


FIG. 5

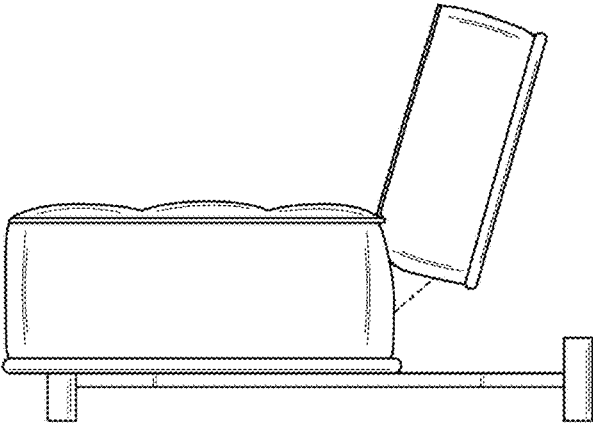


FIG. 6

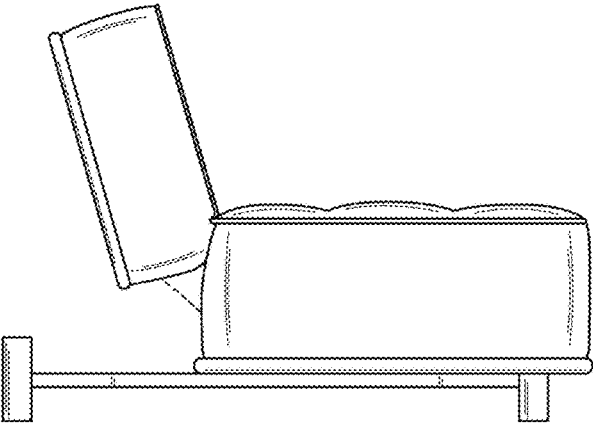


FIG. 7

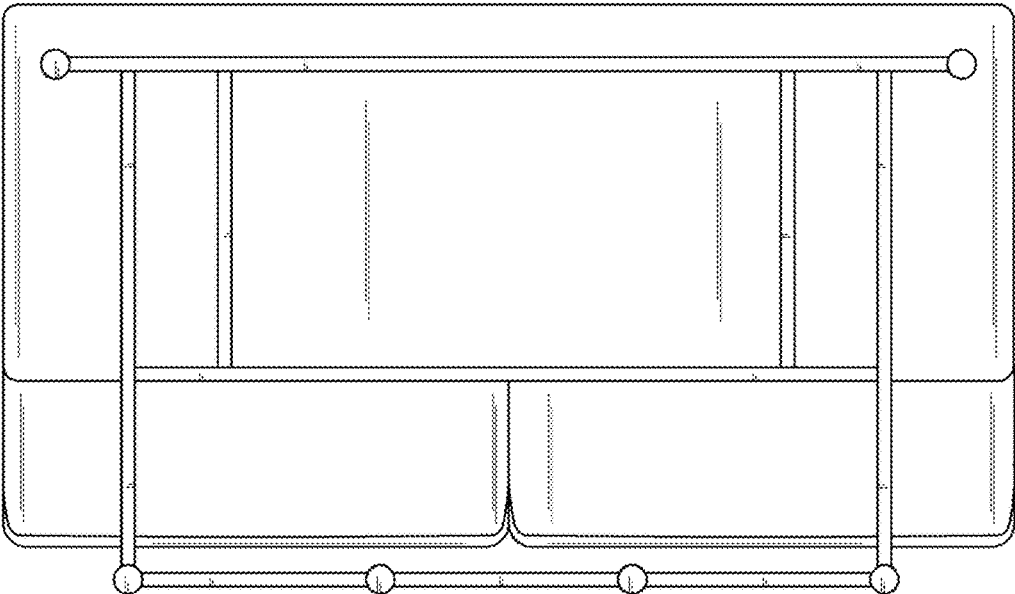


FIG. 8

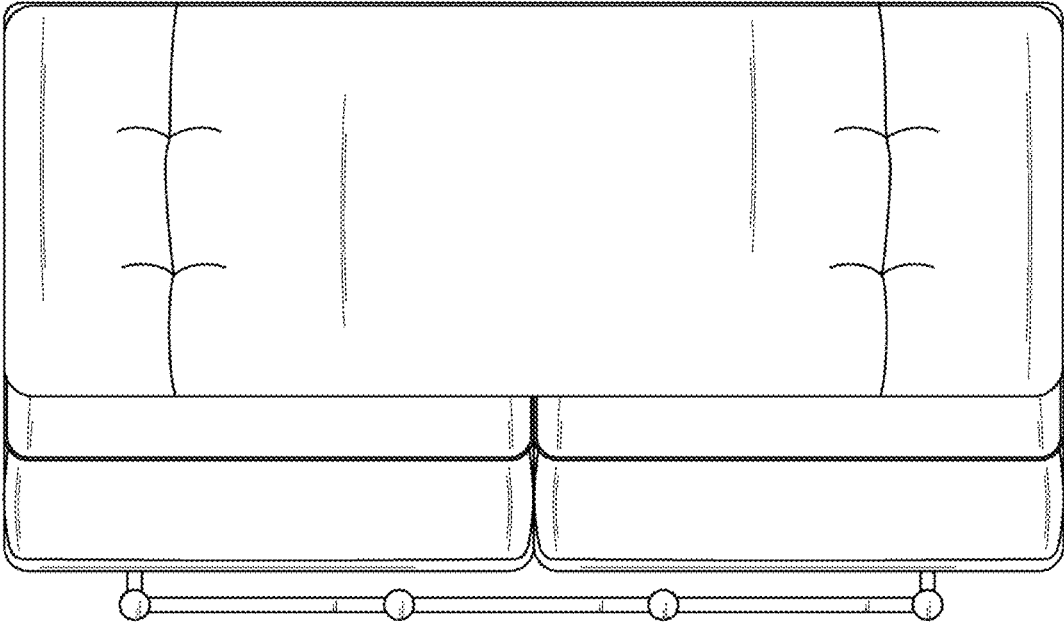


FIG. 9

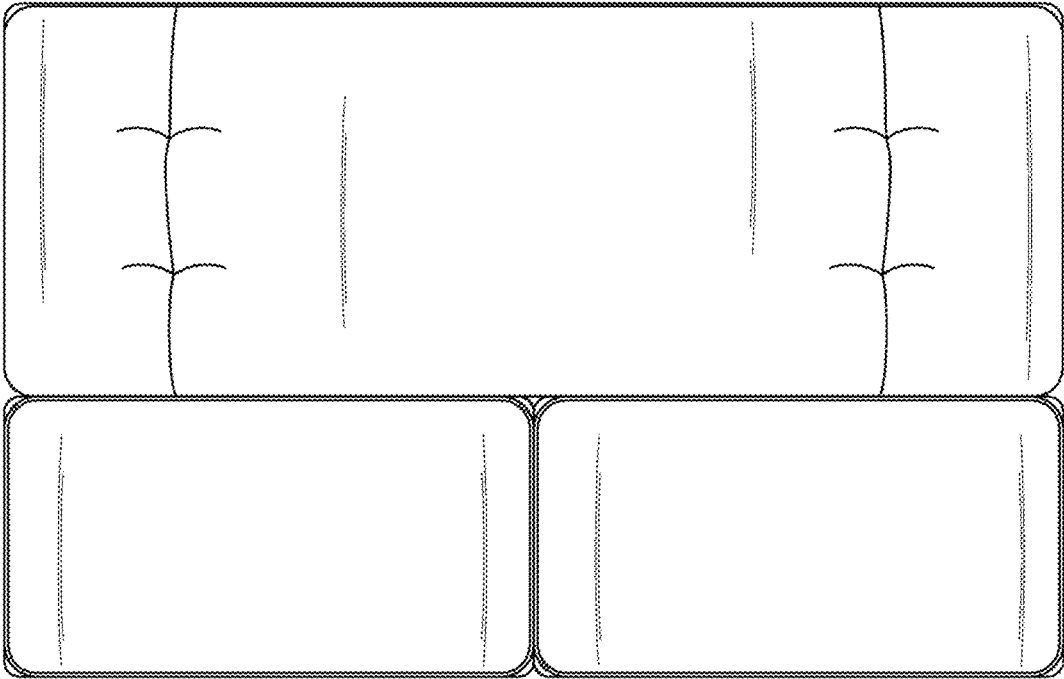


FIG. 10

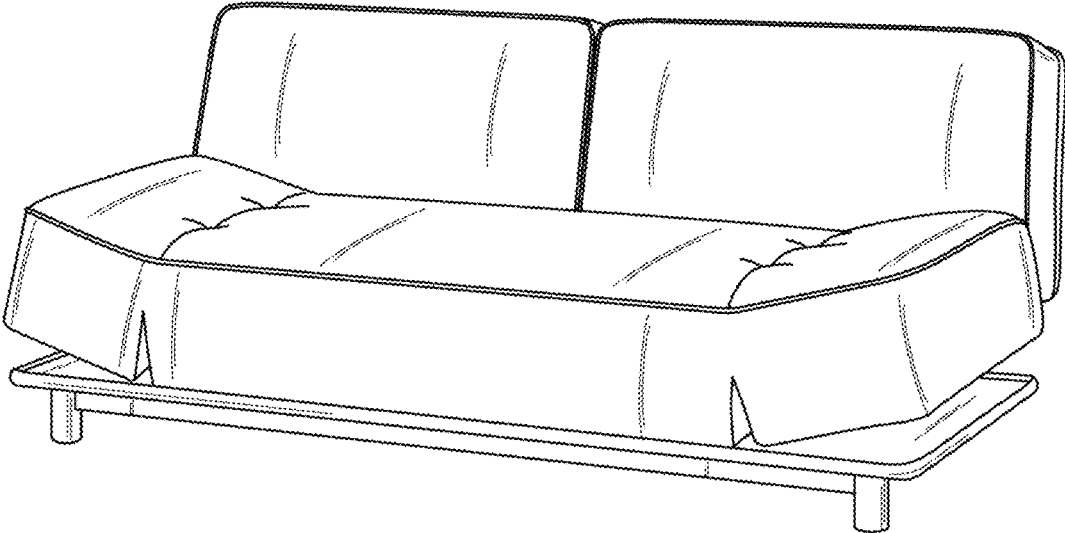


FIG. 11

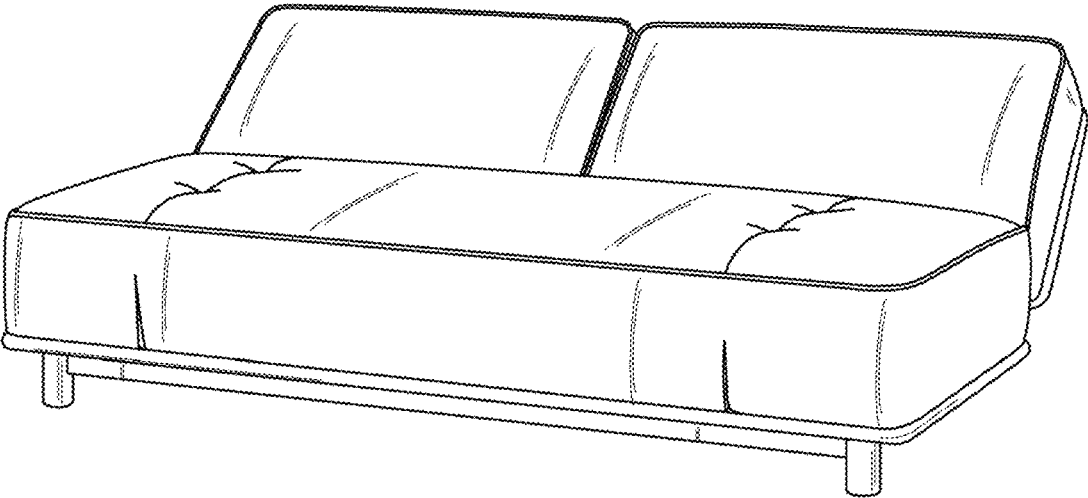


FIG. 12