



US00D983746S

(12) **United States Design Patent**  
**Guo**

(10) **Patent No.:** **US D983,746 S**

(45) **Date of Patent:** **\*\* Apr. 18, 2023**

(54) **POWER STATION**

(71) Applicant: **SHENZHEN JQB INDUSTRIAL CO., LTD.**, Shenzhen (CN)

(72) Inventor: **Jianwen Guo**, Shenzhen (CN)

(73) Assignee: **SHENZHEN JQB INDUSTRIAL CO., LTD.**, Shenzhen (CN)

(\*\*) Term: **15 Years**

(21) Appl. No.: **29/882,543**

(22) Filed: **Jan. 16, 2023**

(51) **LOC (14) Cl.** ..... **13-02**

(52) **U.S. Cl.**  
USPC ..... **D13/110**

(58) **Field of Classification Search**

USPC ..... D13/101, 102, 103, 107, 108, 110, 118,  
D13/119, 123, 184, 199; D14/251, 253,  
D14/432, 434

CPC .. H02J 7/00; H02J 7/027; H02J 7/0042; H02J  
7/0045; H02J 7/0047; H02J 7/0063; H02J  
7/32; H02J 7/342; H02J 7/1423; H02M  
7/00; H02M 7/003; H01M 2/202; H01M  
2/204; H01M 2/1022; H01M 2/342;  
H05K 5/0247; H05K 7/1432; Y02T  
10/7005; Y02T 10/705; Y02T 10/7088;  
F21L 4/00; Y02E 60/12; Y02E 60/50

See application file for complete search history.

(56) **References Cited**

**U.S. PATENT DOCUMENTS**

D506,724 S \* 6/2005 Hriscu ..... D13/107  
D601,514 S \* 10/2009 Lin ..... D13/177

10,342,154 B2 \* 7/2019 Kai ..... H01M 50/262  
10,424,943 B2 \* 9/2019 Wang ..... H02J 7/0047  
D875,037 S 2/2020 Hung  
D897,284 S \* 9/2020 Sun ..... D13/103  
D902,857 S \* 11/2020 Jia ..... D13/110  
D911,273 S \* 2/2021 Sun ..... D13/103  
D929,327 S 8/2021 Wang  
D942,932 S 2/2022 Yin  
D971,145 S \* 11/2022 Sun ..... D13/110

\* cited by examiner

*Primary Examiner* — Derrick E Holland

(74) *Attorney, Agent, or Firm* — Georgi Korobanov

(57) **CLAIM**

The ornamental design for a power station, as shown and described.

**DESCRIPTION**

FIG. 1 is a front, top and right side perspective view of a power station, showing my new design;

FIG. 2 is a rear, bottom and left side perspective view thereof;

FIG. 3 is a front view thereof;

FIG. 4 is a rear view thereof;

FIG. 5 is a left side view thereof;

FIG. 6 is a right side view thereof;

FIG. 7 is a top plan view thereof; and,

FIG. 8 is a bottom plan view thereof.

The broken lines shown in the drawings illustrate portions of the power station that form no part of the claimed design.

**1 Claim, 8 Drawing Sheets**



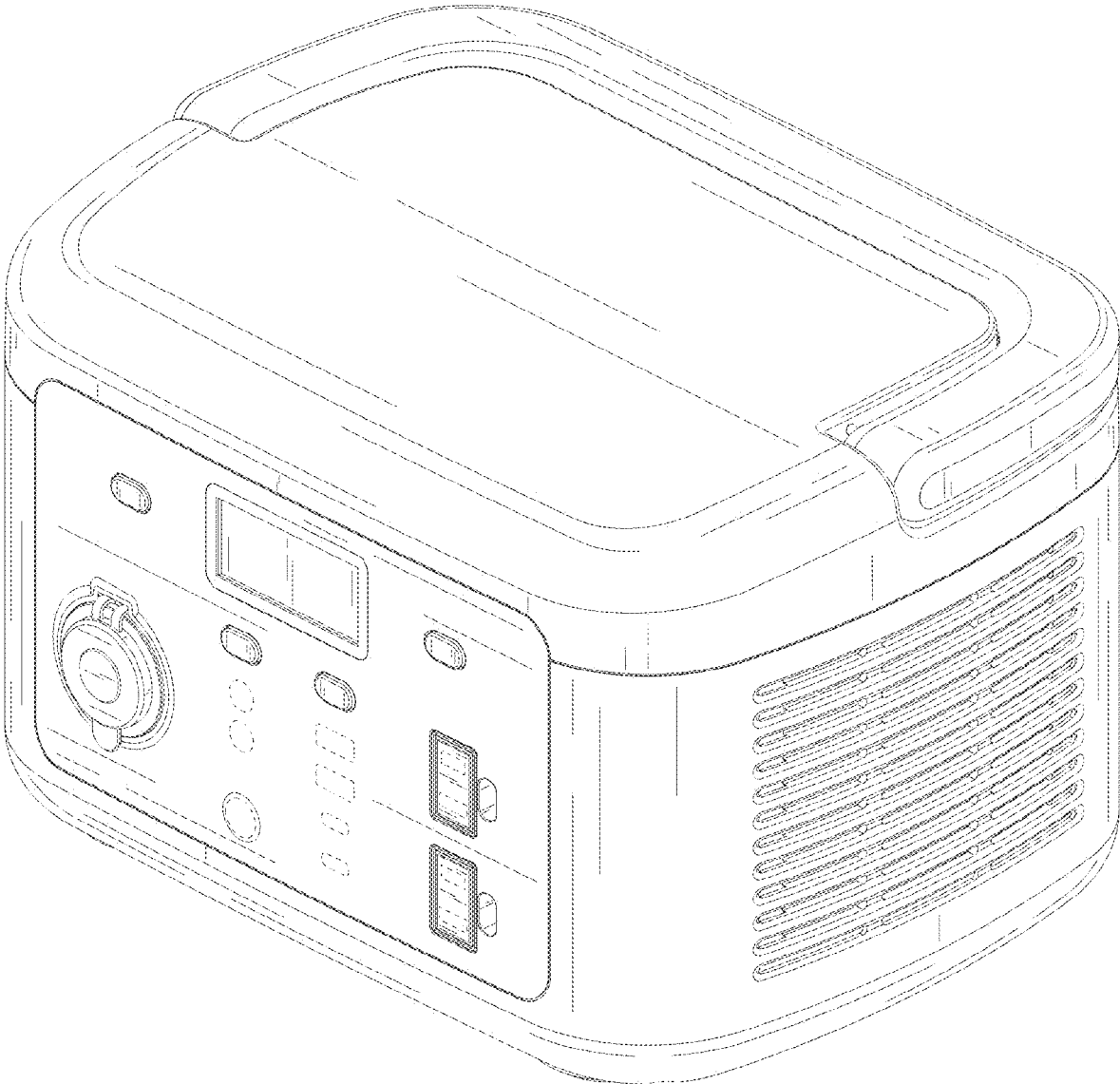


FIG. 1

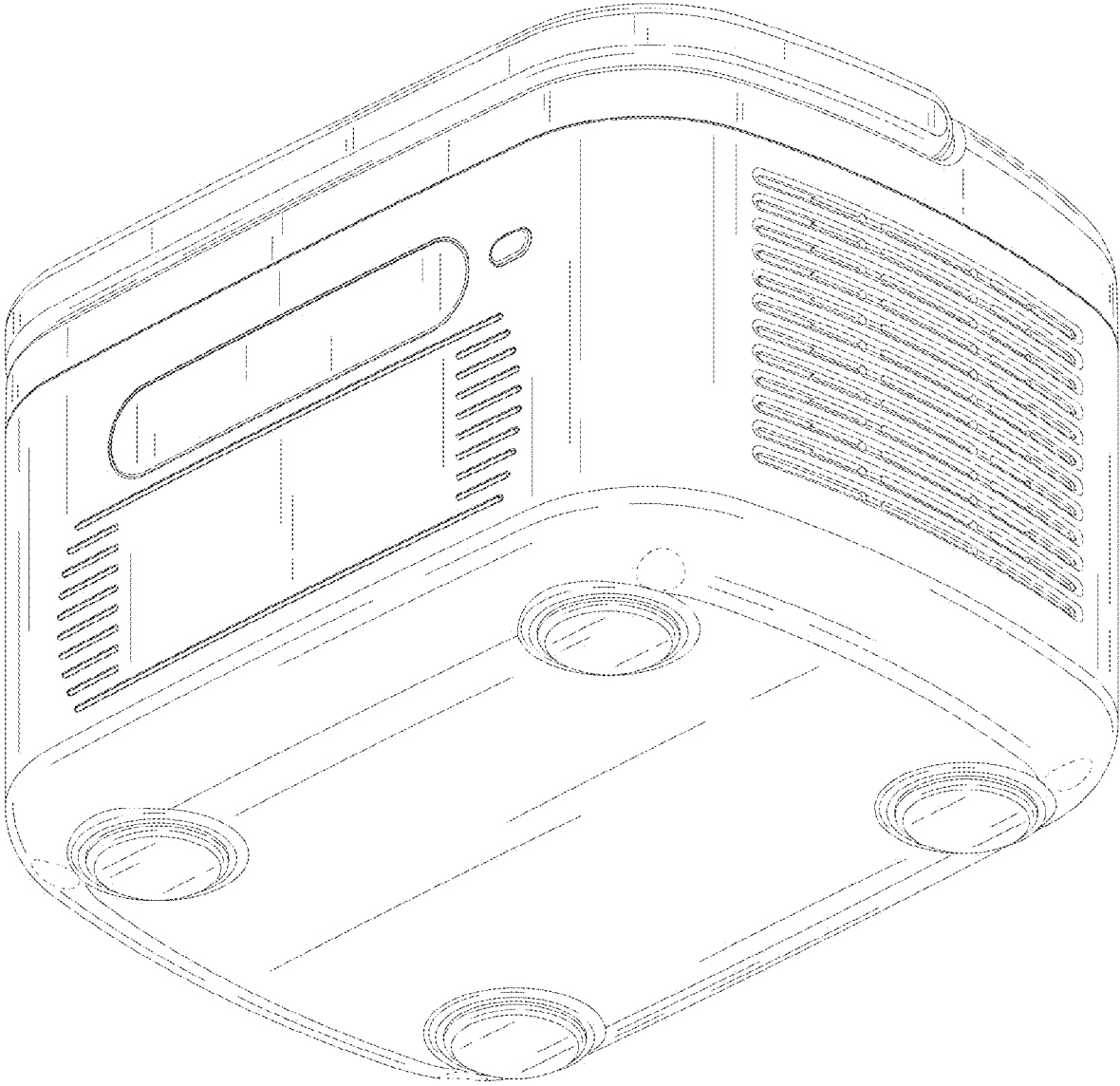


FIG. 2

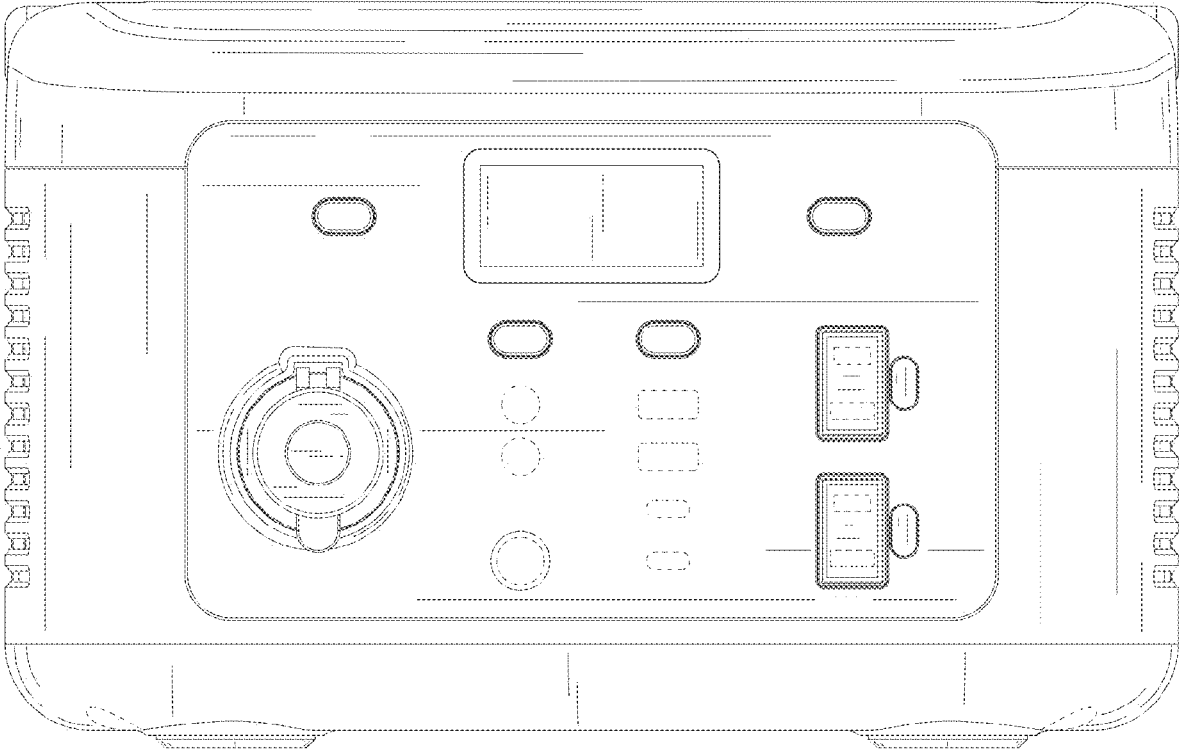


FIG. 3

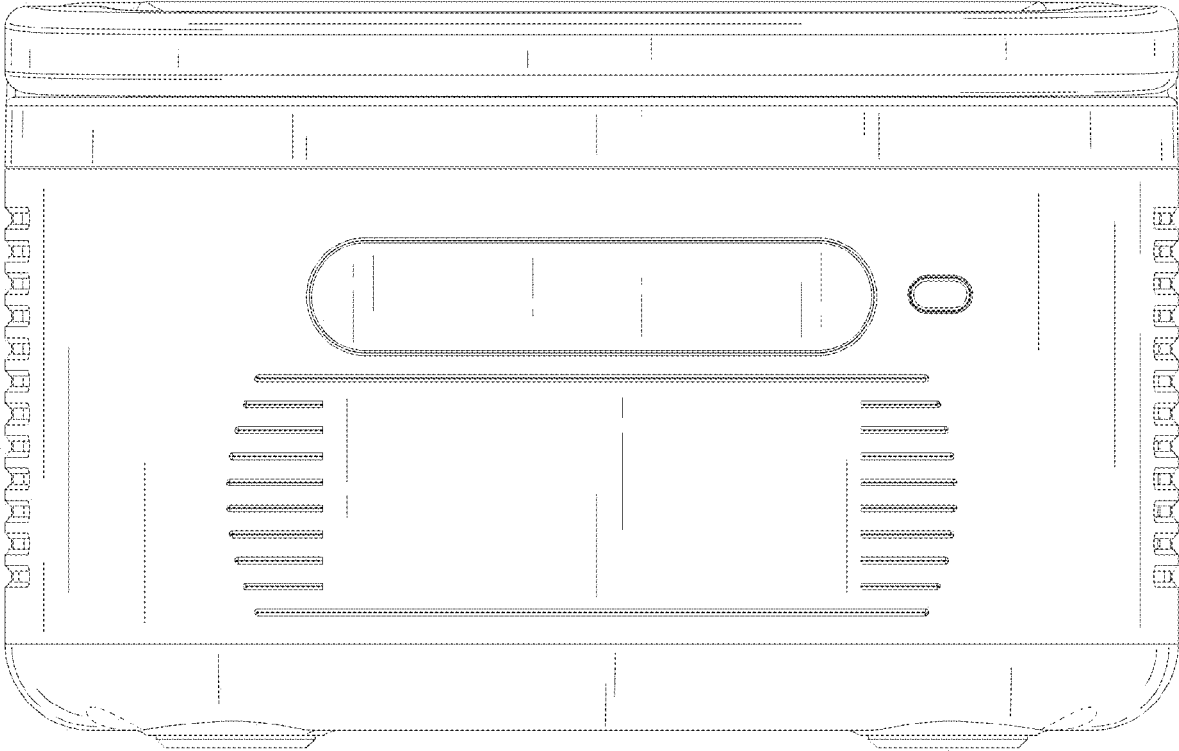


FIG. 4

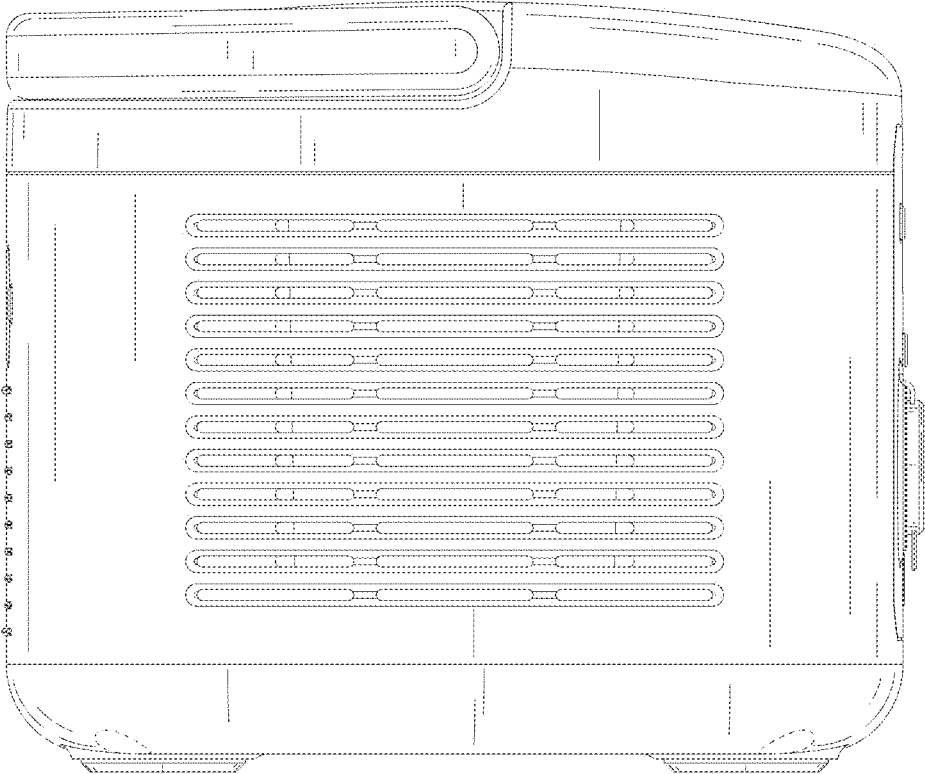


FIG. 5

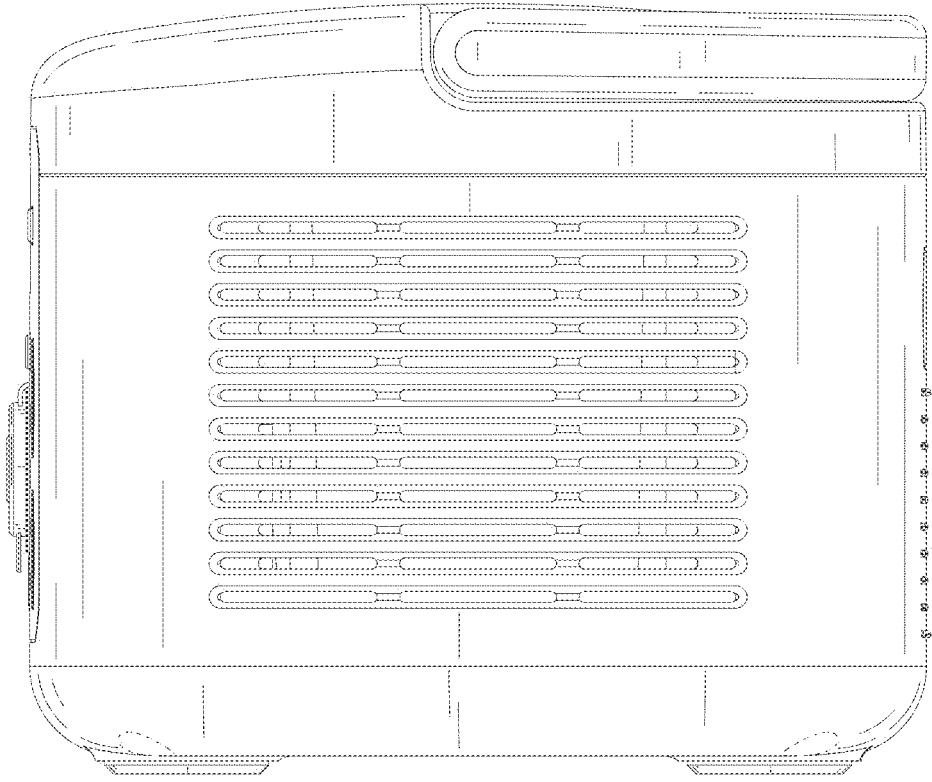


FIG. 6

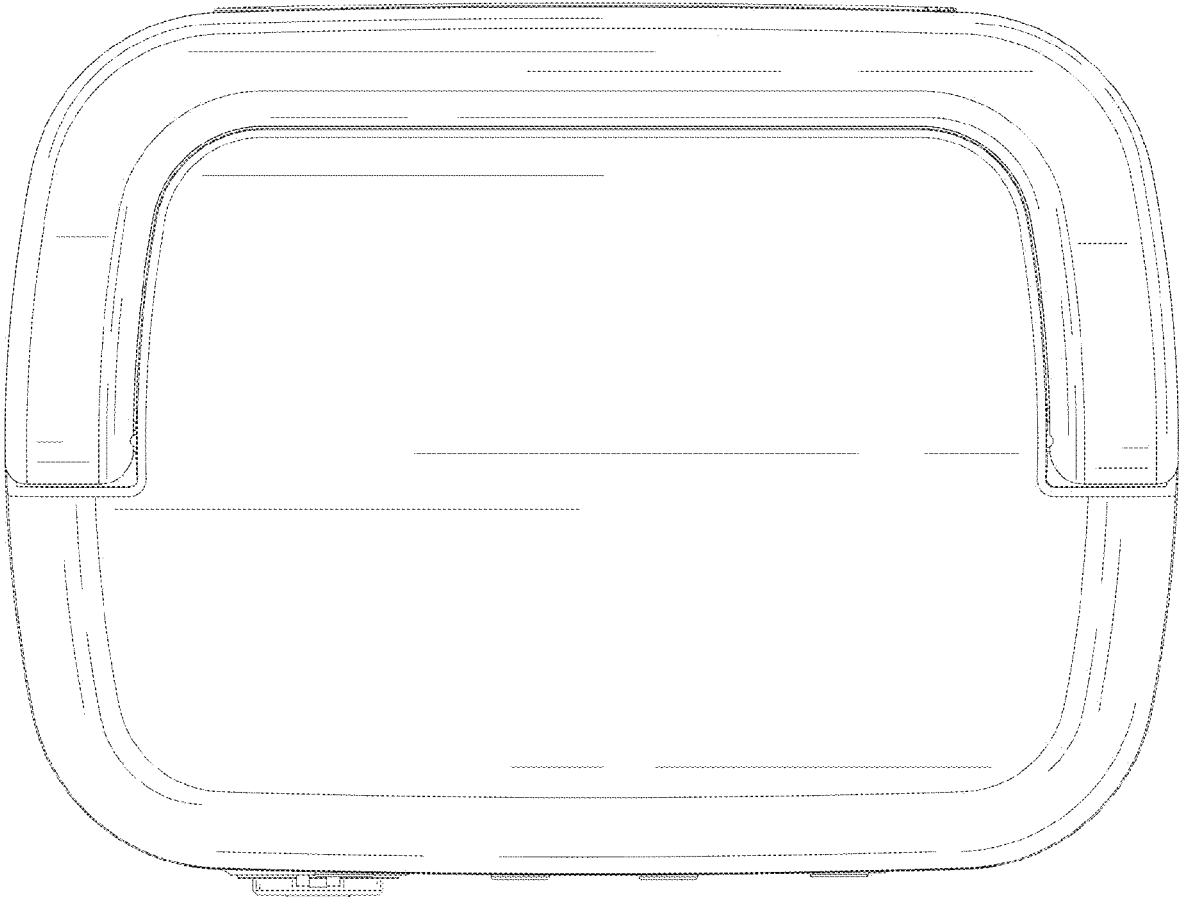


FIG. 7



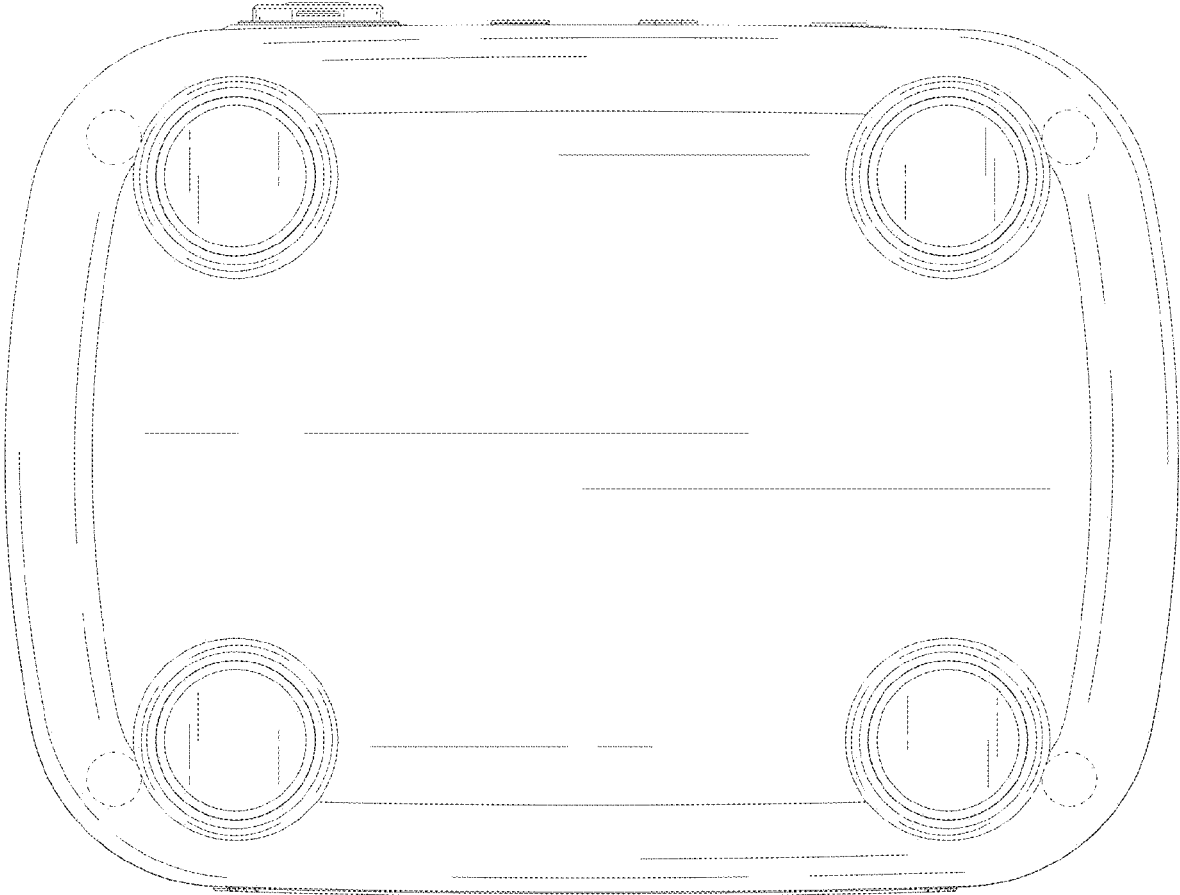


FIG. 8