



US00D432564S

**United States Patent** [19]  
**Miyazawa**

[11] **Patent Number: Des. 432,564**  
[45] **Date of Patent: \*\* Oct. 24, 2000**

- [54] **COMPUTER PRINTER**
- [75] Inventor: **Yoshihiro Miyazawa**, Tokyo, Japan
- [73] Assignee: **Canon Kabushiki Kaisha**, Tokyo, Japan
- [\*\*] Term: **14 Years**
- [21] Appl. No.: **29/107,569**
- [22] Filed: **Jul. 9, 1999**
- [30] **Foreign Application Priority Data**  
Jan. 14, 1999 [JP] Japan ..... 11-772
- [51] **LOC (7) Cl.** ..... **18-02**
- [52] **U.S. Cl.** ..... **D18/54; 14/2**
- [58] **Field of Search** ..... **D18/50, 54-55;**  
400/613, 613.1-613.4, 691-694, 690.1-690.4

D. 369,382	4/1996	Matsunaga et al.	.....	D18/55
D. 373,377	9/1996	Fetheroff	.....	D18/50
D. 379,196	5/1997	Laidlaw	.....	D18/55
D. 395,915	7/1998	Yoshida et al.	.....	D18/55
D. 402,688	12/1998	Laidlaw	.....	D18/53
D. 402,698	12/1998	Falk et al.	.....	D18/55
D. 405,110	2/1999	Yamamoto et al.	.....	D18/54
D. 412,182	7/1999	Miyazawa	.....	D18/55
D. 412,341	7/1999	Miyazawa	.....	D18/55
D. 413,141	8/1999	Matsumoto	.....	D18/55
D. 421,455	3/2000	Kobayashi et al.	.....	D18/54

*Primary Examiner*—Cathy Anne MacCormac  
*Attorney, Agent, or Firm*—Fitzpatrick, Cella, Harper & Scinto

[57] **CLAIM**

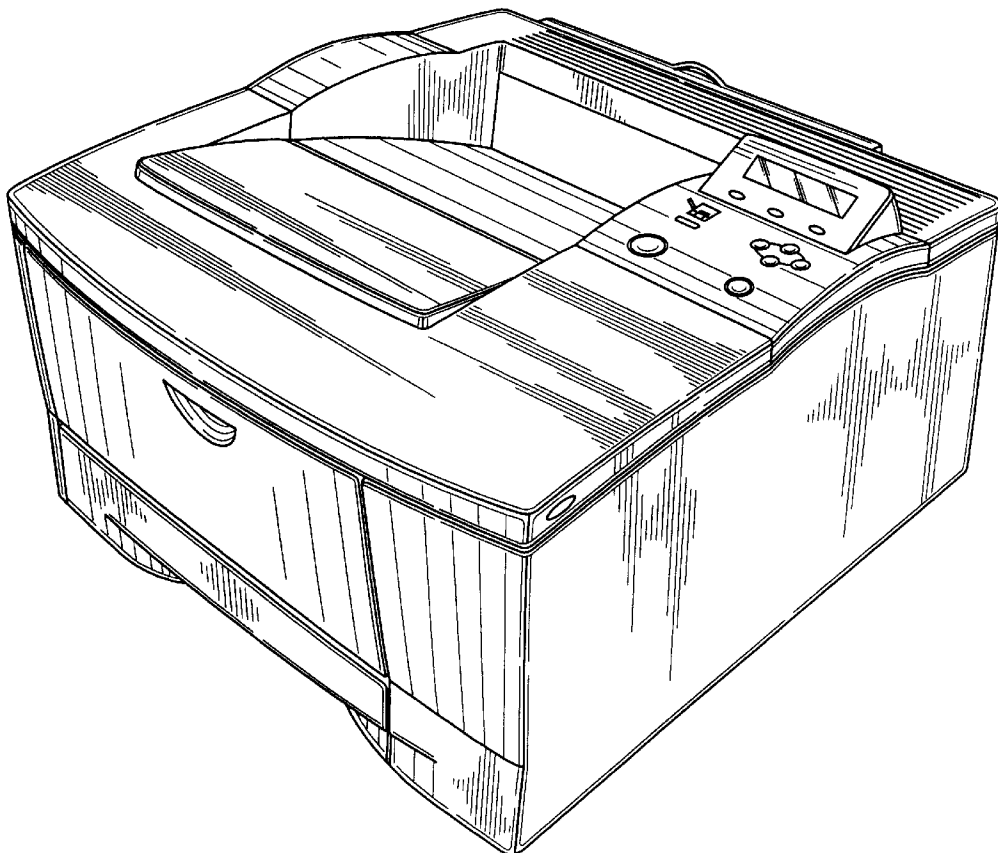
The ornamental design for a computer printer, as shown and described.

**DESCRIPTION**

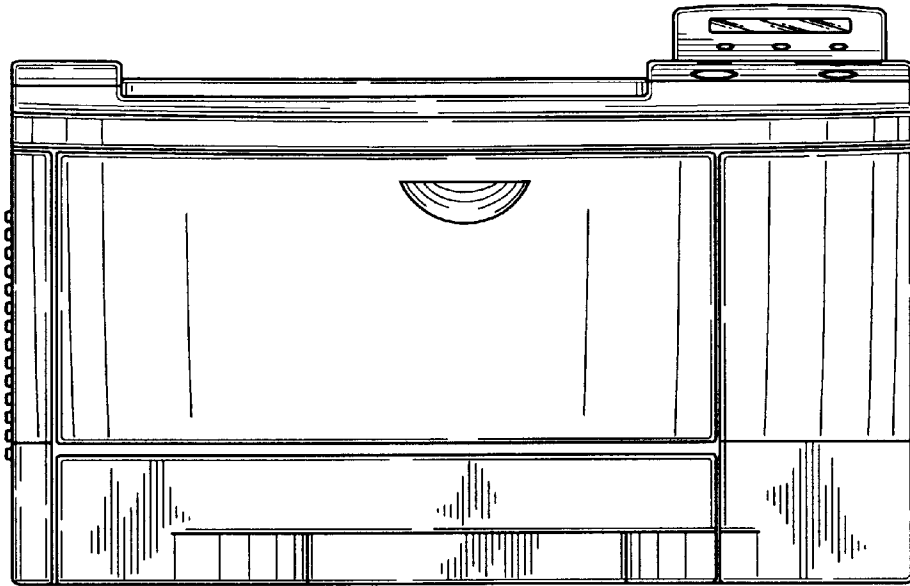
FIG. 1 is a front view of a computer printer showing my new design;  
FIG. 2 is a rear view thereof;  
FIG. 3 is a top plan view thereof;  
FIG. 4 is a bottom plan view thereof;  
FIG. 5 is a left side view thereof;  
FIG. 6 is a right side view thereof; and,  
FIG. 7 is a perspective view thereof.

**1 Claim, 5 Drawing Sheets**

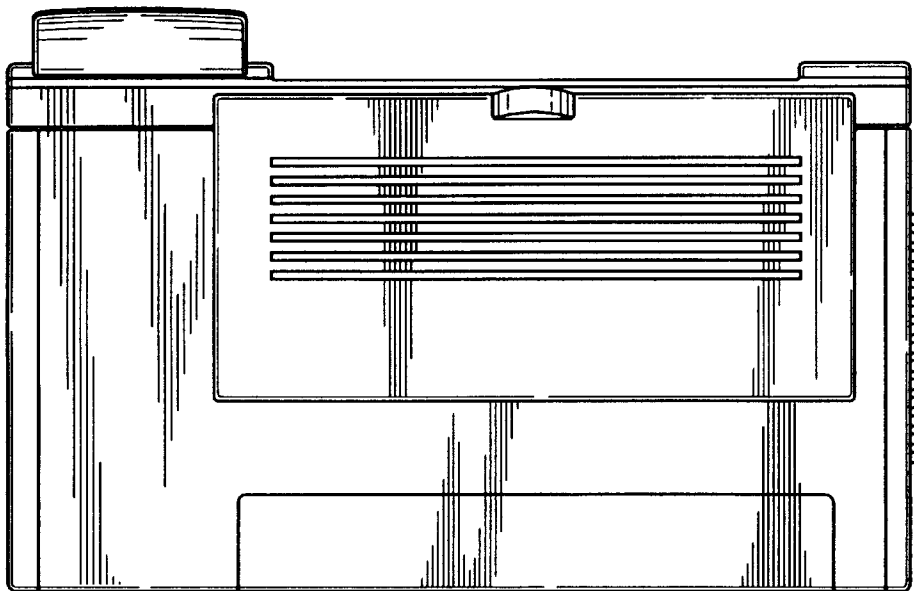
- [56] **References Cited**  
**U.S. PATENT DOCUMENTS**
- D. 306,744 3/1990 Yomo ..... D18/55
- D. 307,764 5/1990 Kojima ..... D18/55
- D. 322,274 12/1991 Tokuda et al. .... D18/54
- D. 324,233 2/1992 Sawa et al. .... D18/54
- D. 324,539 3/1992 Sawa ..... D18/54
- D. 343,414 1/1994 Tokuda et al. .... D18/55
- D. 351,189 10/1994 Yamaguchi et al. .... D18/55



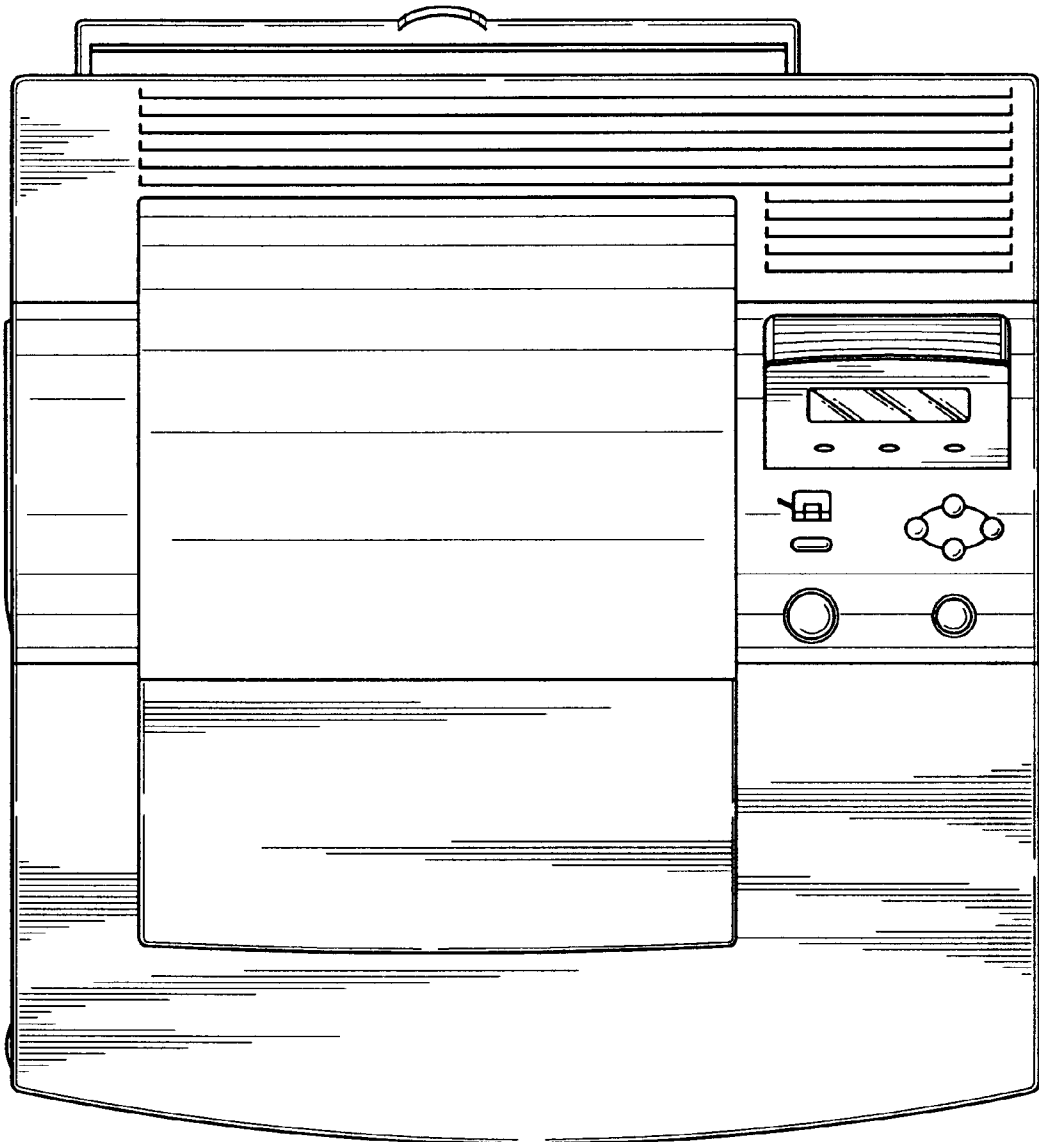
*FIG. 1*



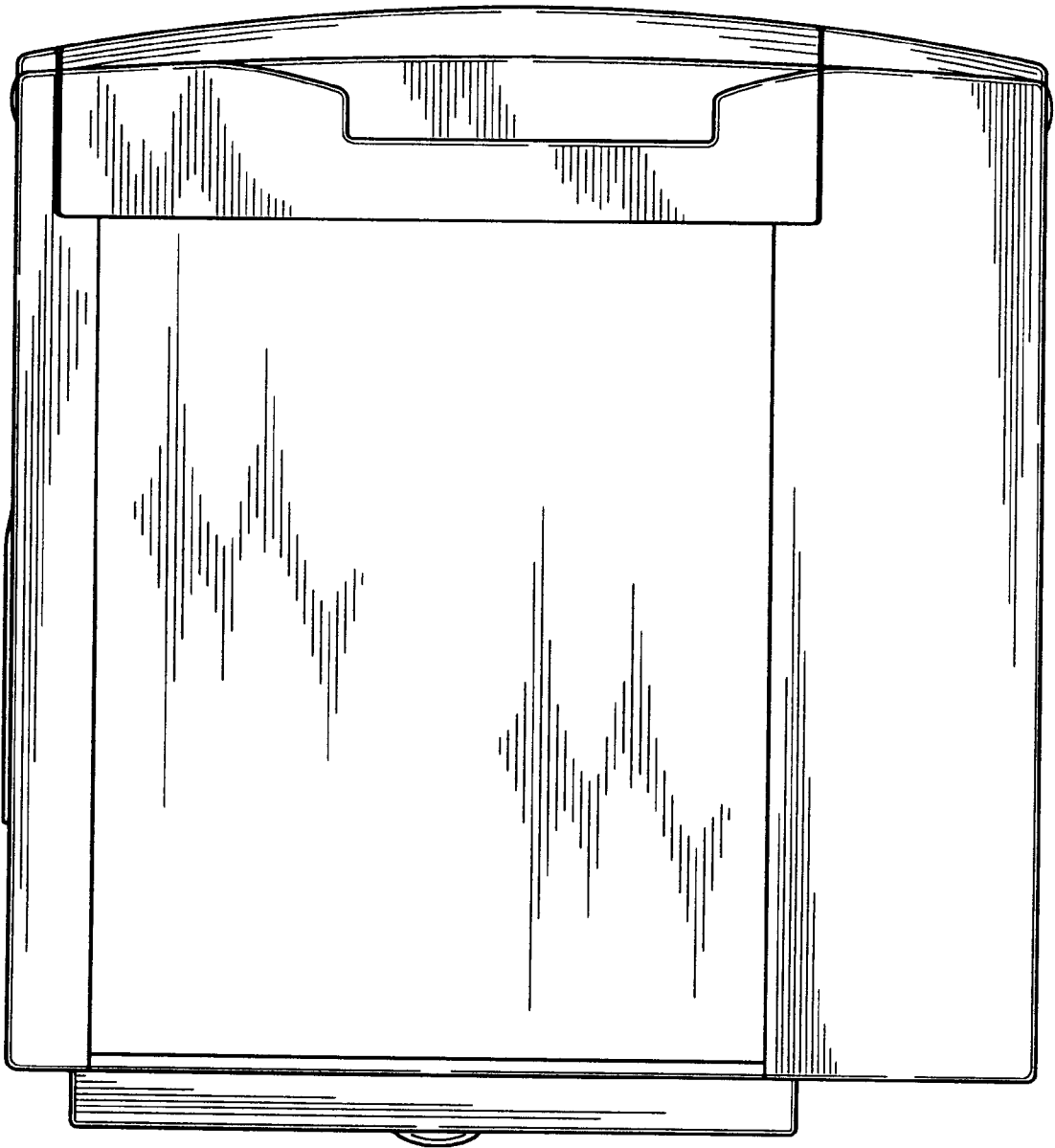
*FIG. 2*



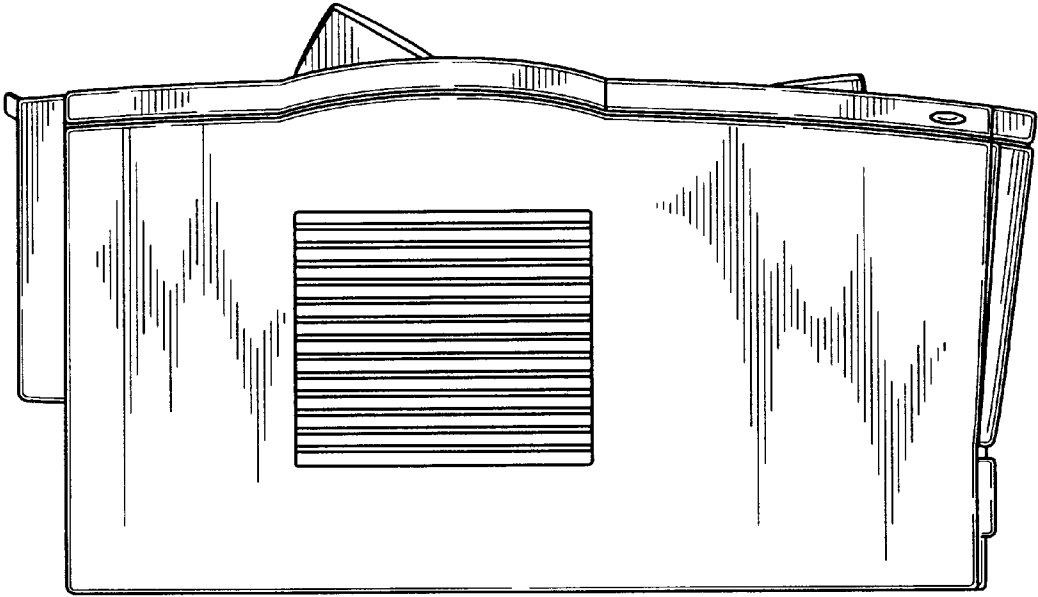
*FIG. 3*



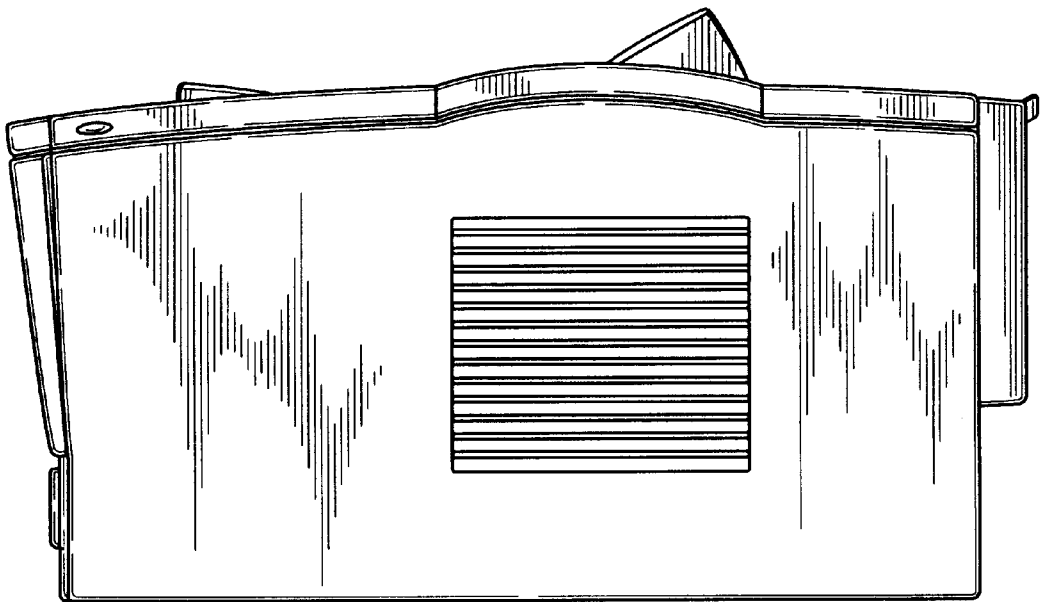
*FIG. 4*



*FIG. 5*



*FIG. 6*



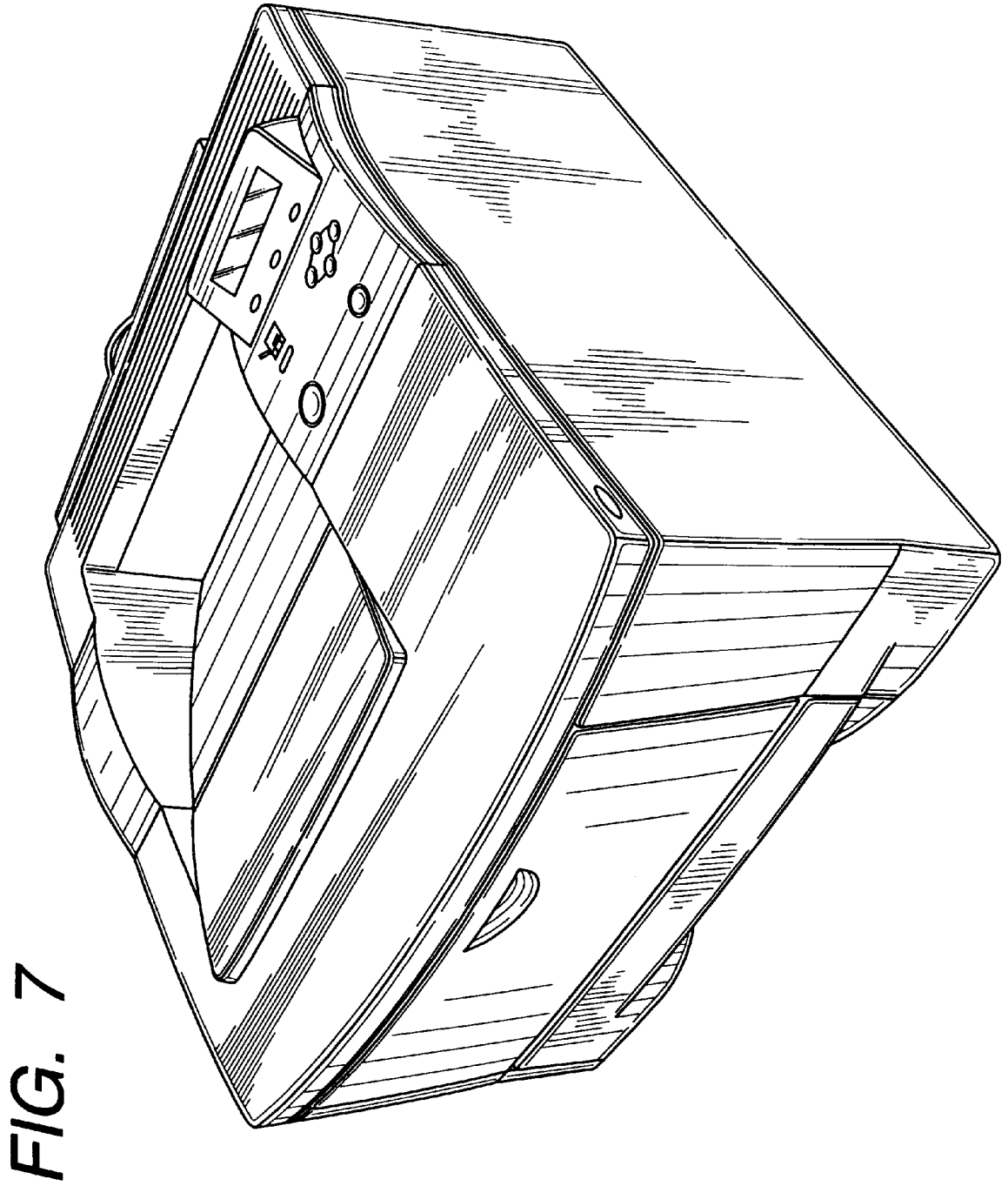


FIG. 7