



(12) **United States Design Patent**  
**Aguiar et al.**

(10) **Patent No.:** **US D1,023,325 S**  
(45) **Date of Patent:** **\*\* Apr. 16, 2024**

(54) **PAD**

(71) Applicant: **HYPERICE IP SUBCO, LLC**, Irvine, CA (US)

(72) Inventors: **Alexander Joseph Aguiar**, San Diego, CA (US); **Trevor Austin Kerth**, San Diego, CA (US); **Ellen Posch**, San Francisco, CA (US)

(73) Assignee: **HYPERICE IP SUBCO, LLC**, Irvine, CA (US)

(\*\*) Term: **15 Years**

(21) Appl. No.: **29/813,603**

(22) Filed: **Oct. 29, 2021**

(51) **LOC (14) Cl.** ..... **24-01**

(52) **U.S. Cl.**  
USPC ..... **D24/200**

(58) **Field of Classification Search**

USPC ..... D24/200, 202, 205-208, 118, 188-192; D2/728, 863, 880, 815, 750, 702, 701; D29/108, 101.5, 121.1, 120.1; D21/660; D9/707; D3/321, 226, 224, 221, 215; D6/582-583, 595; D14/138 AA  
CPC ..... A61H 9/0078; A61H 2209/00; A61H 2205/106; A61H 2201/1697; A61H 9/0092; A61H 2205/10; A61H 36/00; A61F 13/085; A61F 5/0123; A61F 5/0106; A61F 5/0109; A61F 2005/0176; A61F 2007/023; A61F 2007/105; A61F 2007/108; A61F 2007/0001; A61F 2007/0238; A61F 2007/0268; A61F 2007/0295; A61F 7/02; A61F 7/08; A61F 7/10; A61F 7/034; A61F 7/086; A41D 20/005

See application file for complete search history.

(56)

**References Cited**

U.S. PATENT DOCUMENTS

D713,048	S	*	9/2014	Ogaki	.....	D24/200
D834,719	S	*	11/2018	Theriot	.....	D24/200
D863,573	S	*	10/2019	Ito	.....	D24/200
D875,264	S	*	2/2020	Katz	.....	D24/200
D898,924	S	*	10/2020	Hinds	.....	D24/189
D899,610	S	*	10/2020	Yang	.....	D24/214
D904,629	S	*	12/2020	deBock	.....	D24/200
D909,591	S	*	2/2021	Lai	.....	D24/200
D936,845	S	*	11/2021	Hahn	.....	D24/189

(Continued)

OTHER PUBLICATIONS

VenomGo, hyperice.com, [online], [site visited Jun. 13, 2023], Available from internet URL:https://hyperice.com/products/venom-go/ (Year: 2023).\*

(Continued)

*Primary Examiner* — Samantha Q Lawrence

*Assistant Examiner* — Holly M Rodriguez

(74) *Attorney, Agent, or Firm* — Goodwin Procter LLP

(57)

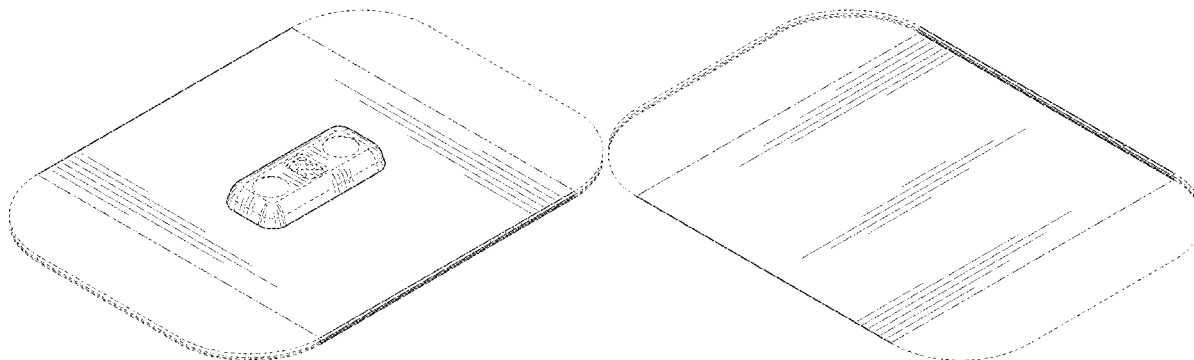
**CLAIM**

The ornamental design for a pad, as shown and described.

**DESCRIPTION**

FIG. 1 is a top perspective view of a pad;  
FIG. 2 is a right side view thereof;  
FIG. 3 is a left side view thereof;  
FIG. 4 is a back elevation view thereof;  
FIG. 5 is a front elevation view thereof;  
FIG. 6 is a top, plan view thereof;  
FIG. 7 is a bottom, plan view thereof; and,  
FIG. 8 is a bottom perspective view thereof.  
The short, broken lines shown in the figures illustrate portions of the pad that form no part of the claimed design. The dash-dot lines shown in the figures illustrate the bounds of the claim that form no part of the claimed design.

**1 Claim, 5 Drawing Sheets**



(56)

**References Cited**

U.S. PATENT DOCUMENTS

D971,267 S \* 11/2022 Solana ..... D15/7  
D988,882 S \* 6/2023 Chapman ..... D24/169

OTHER PUBLICATIONS

Simusi Wireless Tens Unit Muscle Stimulator with Remote, first available Jun. 1, 2022, amazon.com, [online], [site visited Apr. 20, 2023], Available from internet URL: <https://www.amazon.com/dp/B0B2YQLDSK/> (Year: 2022).\*

Venom Go , first available Sep. 15, 2022, amazon.com, [online], [site visited Apr. 20, 2023], Available from internet URL: <https://www.amazon.com/Hyperice-Venom-Go-Advanced-Vibration/dp/B0BFFPCCQK?th=1> (Year: 2022).\*

Comfytemp Wireless Tens Unit Muscle Stimulator for Pain Relief Therapy, first available Feb. 3, 2023 amazon.com, [online], [site visited May 6, 2023], Available from internet URL:<https://www.amazon.com/dp/B09TW4S1M8/> (Year: 2023).\*

Easy@Home Heat Tens Unit, first available Sep. 7, 2018, amazon.com, [online], [site visited Apr. 20, 2023], Available from internet URL: <https://www.amazon.com/dp/B09TW4S1M8/> (Year: 2018).\*

\* cited by examiner

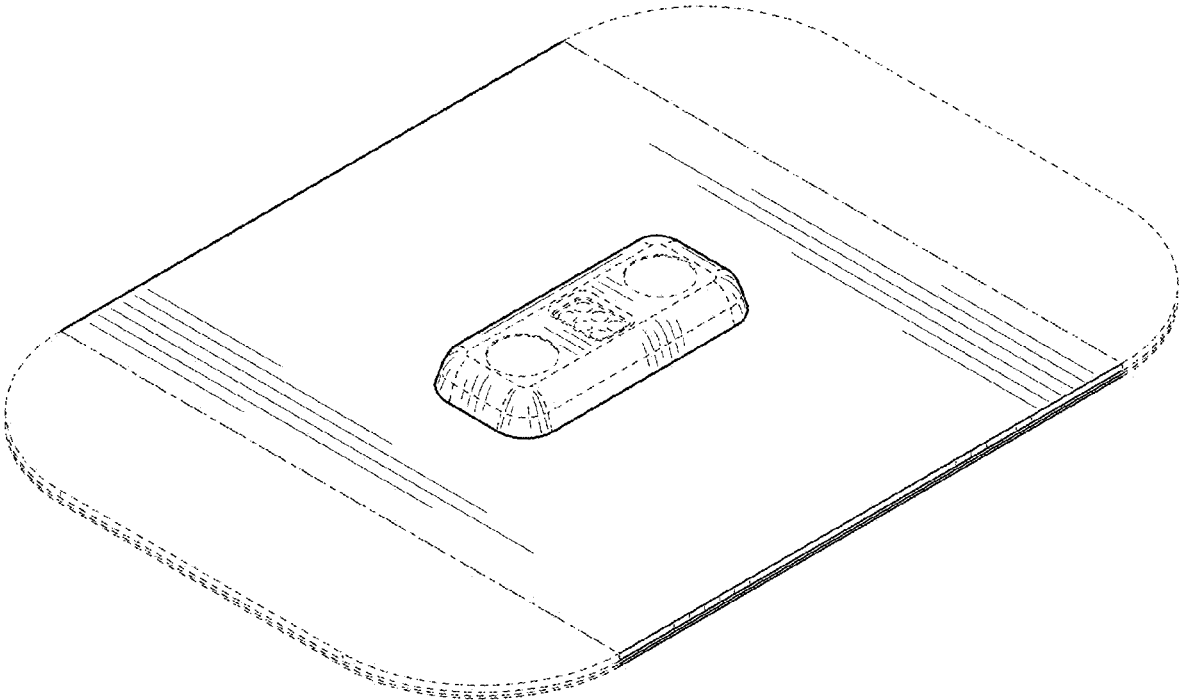


FIG. 1



FIG. 2



FIG. 3



FIG. 4



FIG. 5

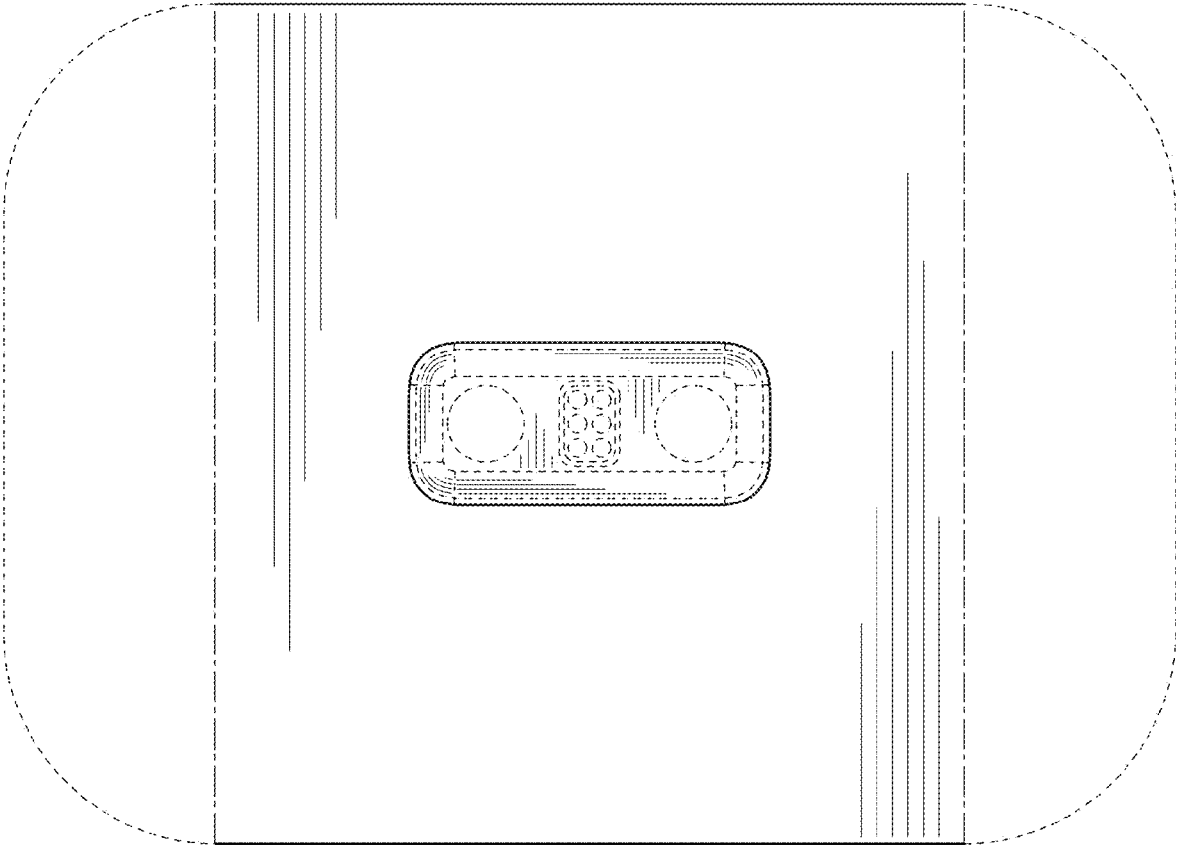


FIG. 6

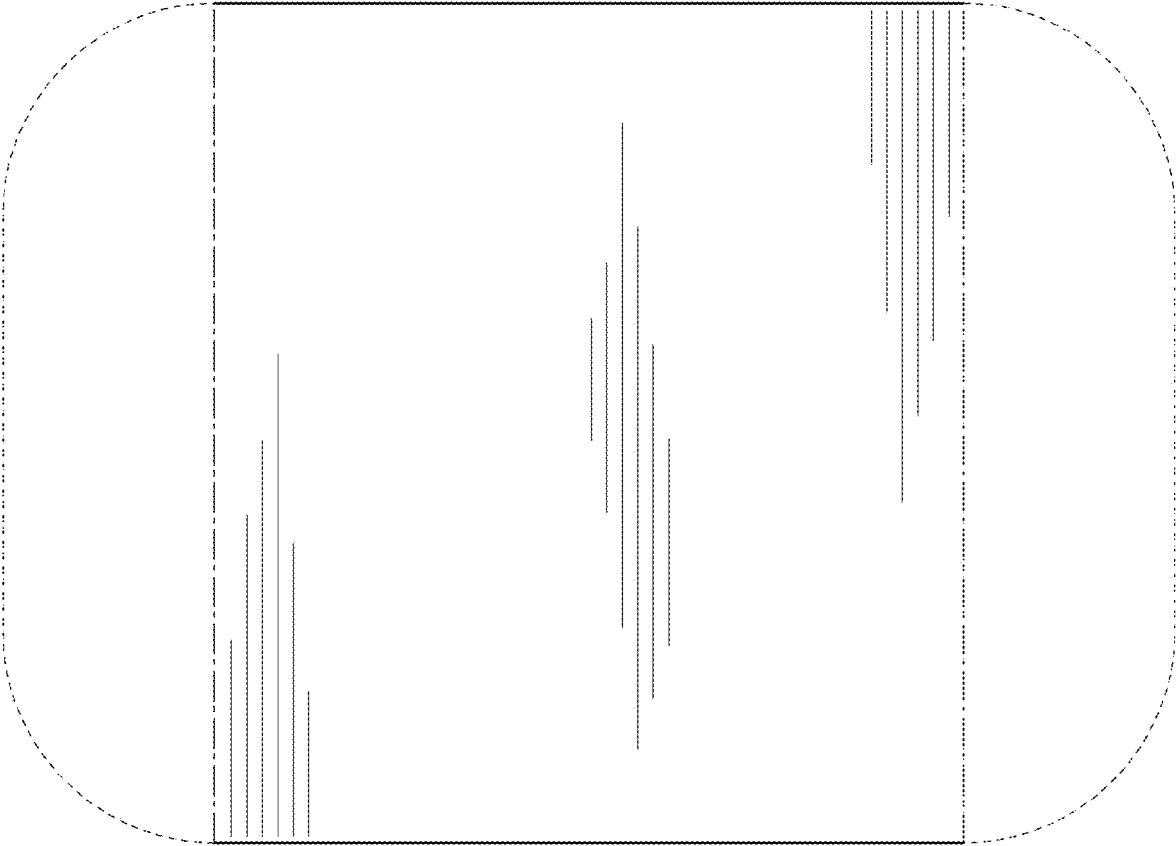


FIG. 7

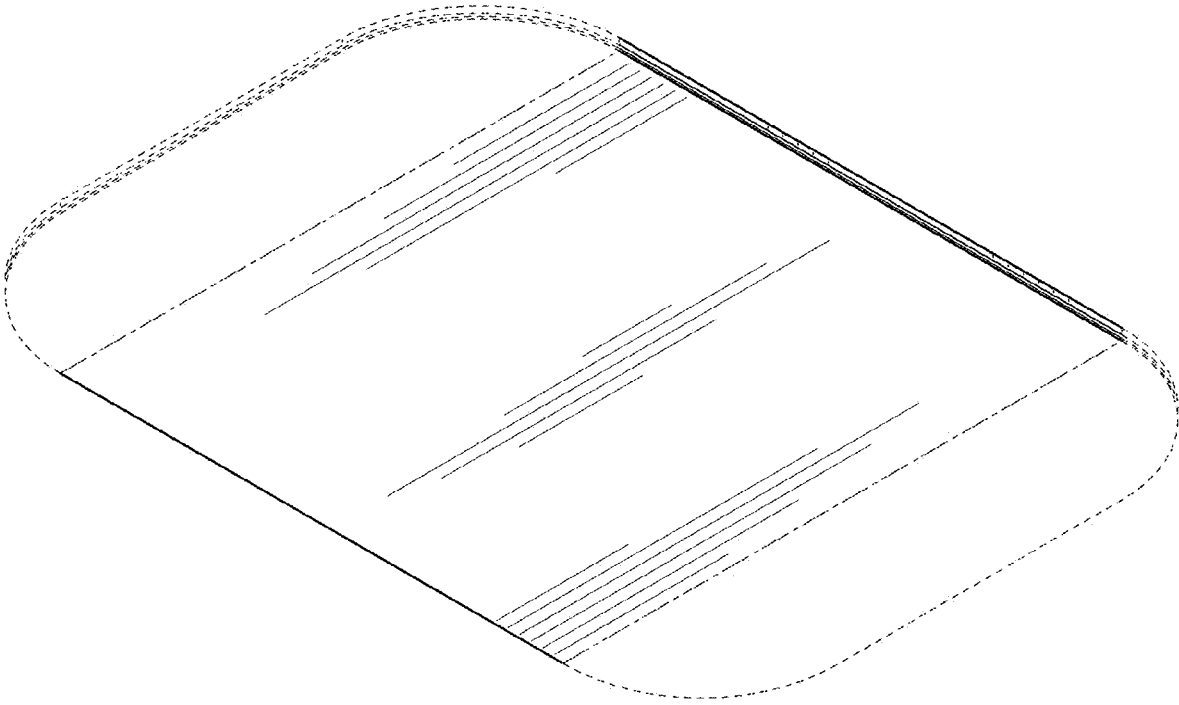


FIG. 8