



US00D953863S

(12) **United States Design Patent**  
**Ou**

(10) **Patent No.:** **US D953,863 S**

(45) **Date of Patent:** **\*\* Jun. 7, 2022**

- (54) **GLASS CONTAINER TOP**
- (71) Applicant: **R.Y.L. Inc.**, Commerce, CA (US)
- (72) Inventor: **Suk Hwan Ou**, Commerce, CA (US)
- (73) Assignee: **R.Y.L. INC.**, Commerce, CA (US)
- (\*\*) Term: **15 Years**
- (21) Appl. No.: **29/751,018**
- (22) Filed: **Sep. 17, 2020**

D500,678 S *	1/2005	Park	.....	D9/502
D563,795 S *	3/2008	Canamasas Puigbo	.....	D9/573
D566,388 S *	4/2008	Nevins	.....	D3/263
D659,539 S *	5/2012	Bakic	.....	D9/503
D733,555 S *	7/2015	Brady	.....	D9/428
D852,630 S *	7/2019	Nagata	.....	D9/503

\* cited by examiner

*Primary Examiner* — Dana Meyrow

(74) *Attorney, Agent, or Firm* — Womble Bond Dickinson (US) LLP

**Related U.S. Application Data**

(63) Continuation-in-part of application No. 29/739,220, filed on Jun. 23, 2020.

(51) **LOC (13) Cl.** ..... **09-01**

(52) **U.S. Cl.**

USPC ..... **D9/503; D9/454**

(58) **Field of Classification Search**

USPC ..... D9/434, 454, 500, 502-504, 516, 530, D9/537, 539-540, 548-549, 558, 645, D9/682, 686, 690, 715, 719; D28/73, 88

CPC ..... B65D 1/00; B65D 1/02; B65D 1/0223; B65D 2501/00; B65D 2501/0009; A45D 34/042; A45D 34/045

See application file for complete search history.

(56) **References Cited**

**U.S. PATENT DOCUMENTS**

D57,488 S *	4/1921	Vivaudou	.....	D9/503
D446,456 S *	8/2001	Adachi	.....	D9/504

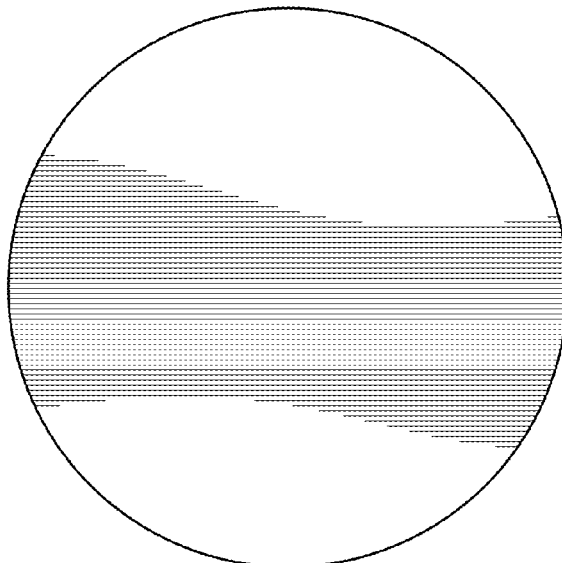
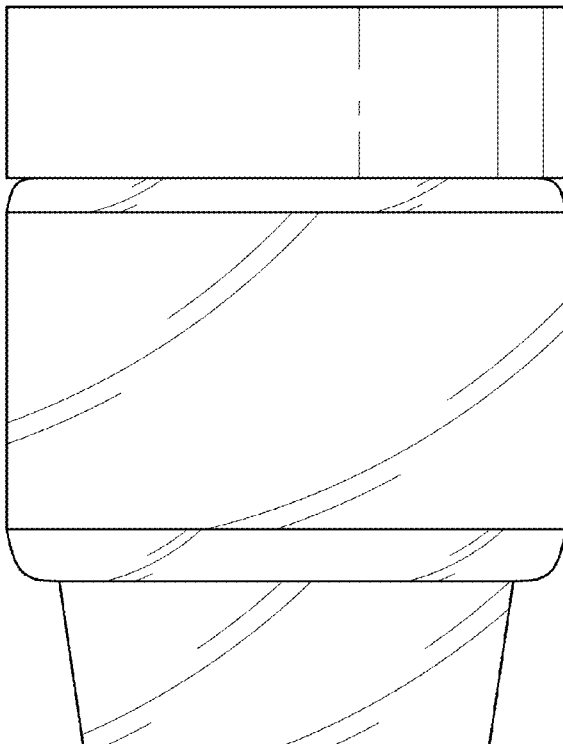
(57) **CLAIM**

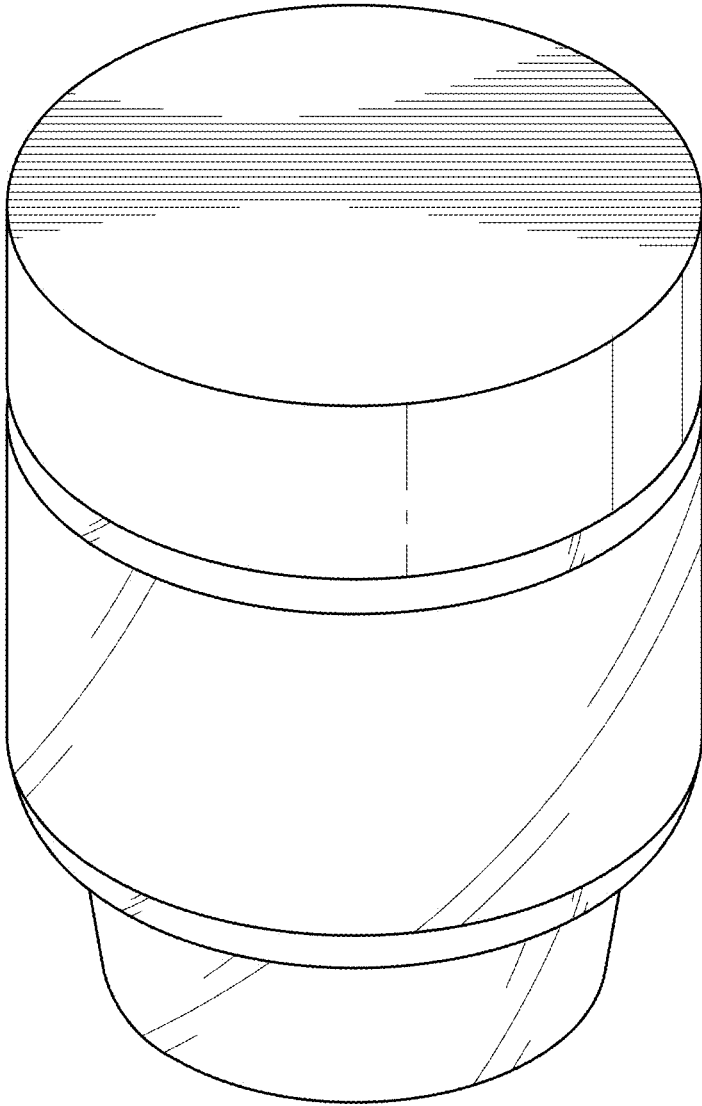
The ornamental design for glass container top, as shown and described.

**DESCRIPTION**

FIG. 1 is a perspective view showing my new design with cap and container attached;  
 FIG. 2 is a front elevation view thereof, a rear elevation view thereof being the same;  
 FIG. 3 is a side elevation view thereof, other side elevation views thereof being the same;  
 FIG. 4 is a top plan view thereof;  
 FIG. 5 is a bottom plan view thereof; and,  
 FIG. 6 is a perspective view thereof with cap and container separated.

**1 Claim, 4 Drawing Sheets**





*FIG. 1*

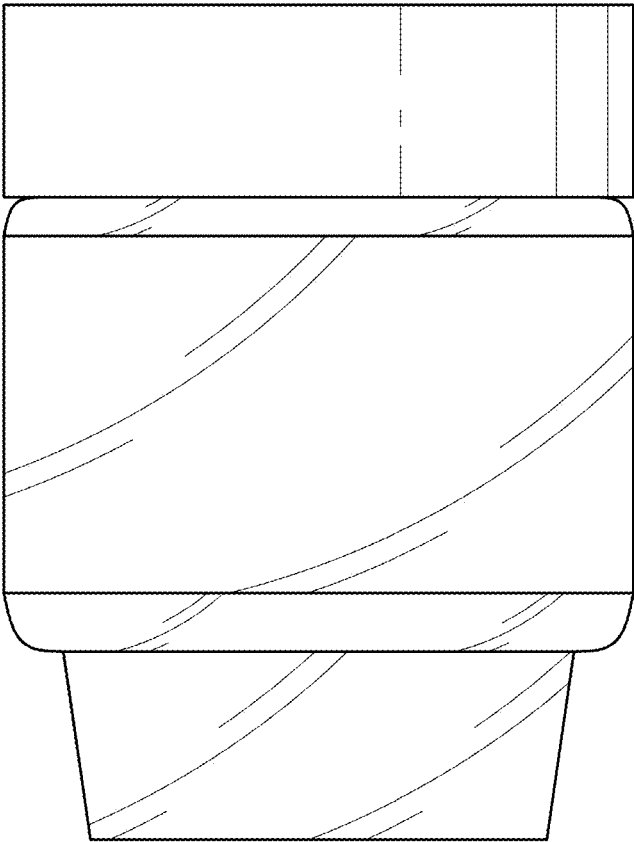


FIG. 2

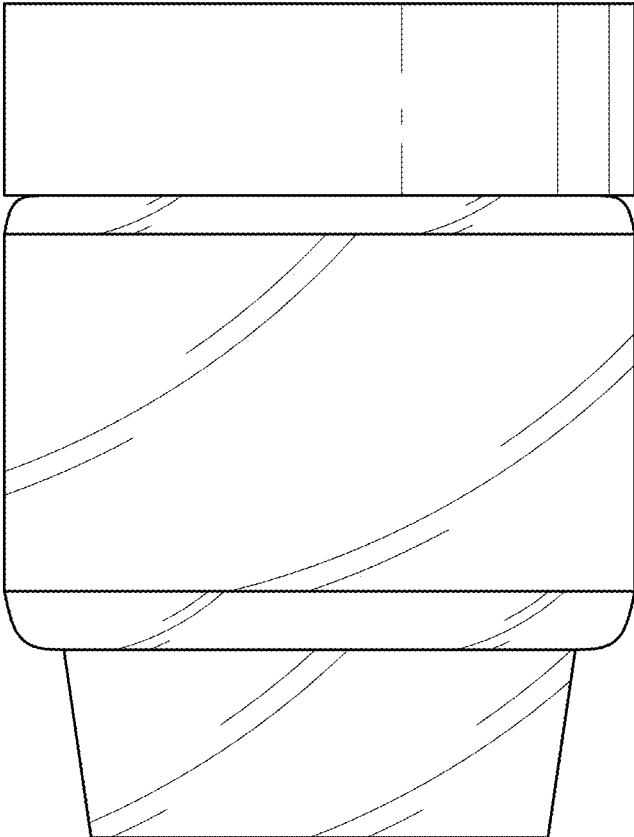
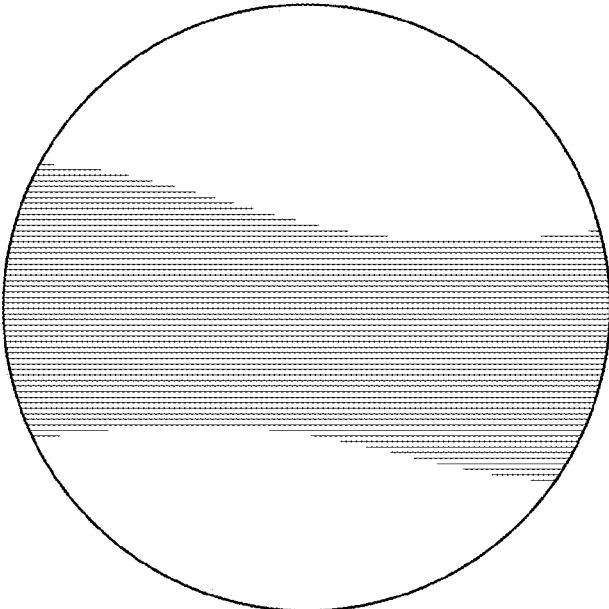
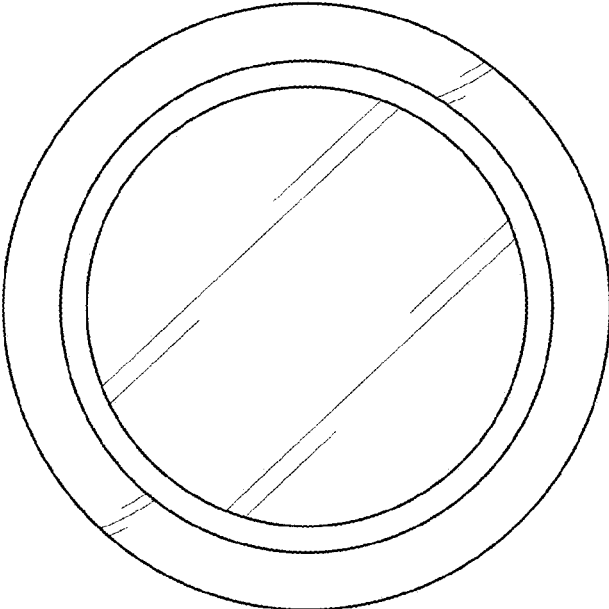


FIG. 3



*FIG. 4*



*FIG. 5*

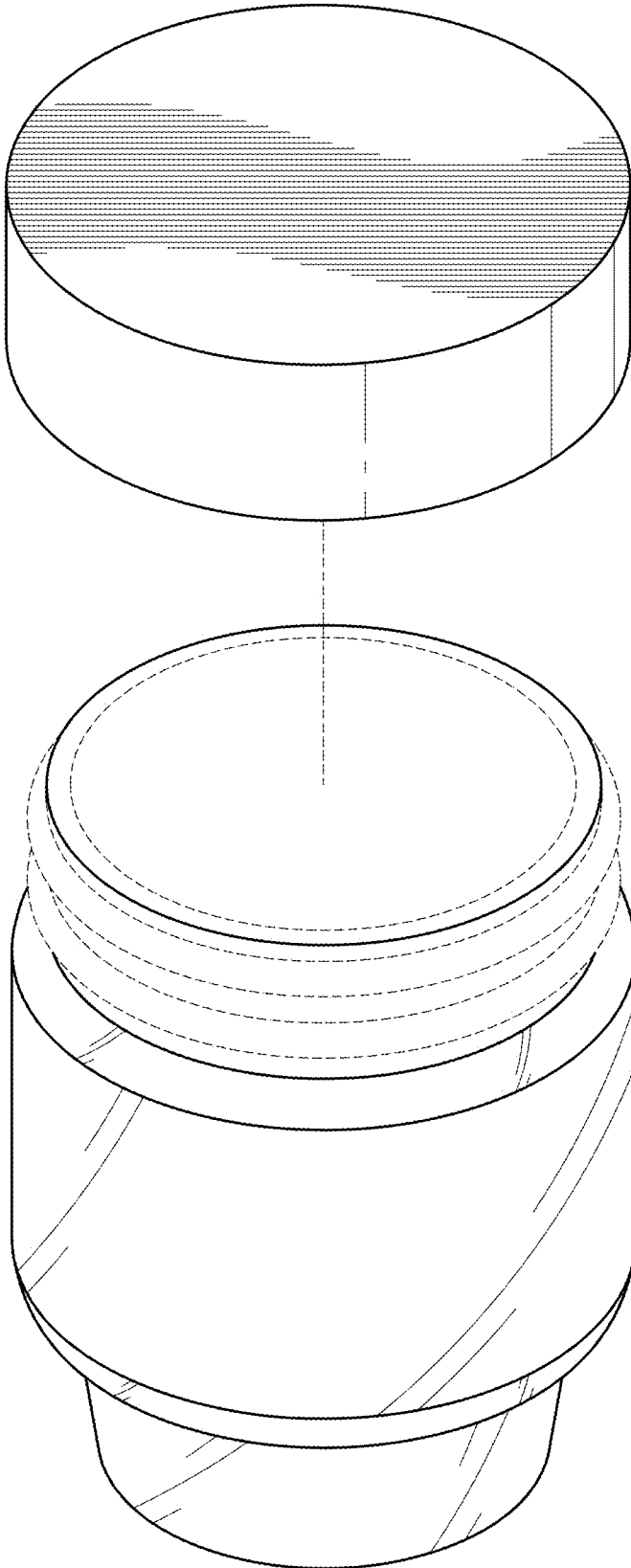


FIG. 6