



US00D552405S

(12) **United States Design Patent**  
**Bond**

(10) **Patent No.:** **US D552,405 S**

(45) **Date of Patent:** **\*\* Oct. 9, 2007**

(54) **KETTLE POPPER**

(75) **Inventor:** **Gregg Alan Bond**, Beverly Hills, CA  
(US)

(73) **Assignee:** **The Helman Group, Ltd.**, Oxnard, CA  
(US)

(\*\*) **Term:** **14 Years**

(21) **Appl. No.:** **29/278,608**

(22) **Filed:** **Apr. 3, 2007**

(51) **LOC (8) Cl.** ..... **31-00**

(52) **U.S. Cl.** ..... **D7/325**

(58) **Field of Classification Search** ..... D7/323,  
D7/325, 354-361, 500; D20/1; D34/14;  
99/323.4, 323.5, 323.6, 323.7, 323.8, 323.9,  
99/442; 219/433, 441, 728-731, 735, 745;  
426/234, 243

See application file for complete search history.

(56) **References Cited**

**U.S. PATENT DOCUMENTS**

2,134,682 A \* 11/1938 Burch ..... 99/323.7  
D163,497 S \* 5/1951 Waas ..... D7/325  
3,311,992 A \* 4/1967 Seley ..... 34/588

D279,069 S \* 6/1985 Goodlaxson ..... D7/325  
D388,466 S \* 12/1997 Yurchak ..... D20/1  
5,711,208 A \* 1/1998 Wood et al. .... 99/323.5  
D528,346 S \* 9/2006 Brekke ..... D7/325  
2003/0159591 A1 \* 8/2003 Evans et al. .... 99/323.5

\* cited by examiner

*Primary Examiner*—Cathron C. Brooks

*Assistant Examiner*—Ricky Pham

(74) *Attorney, Agent, or Firm*—Chen Yoshimura LLP

(57) **CLAIM**

The ornamental design for a kettle popper, as shown.

**DESCRIPTION**

FIG. 1 is a front and right side perspective view of a kettle popper showing my new design;

FIG. 2 is a front elevational view thereof;

FIG. 3 is a rear elevational view thereof;

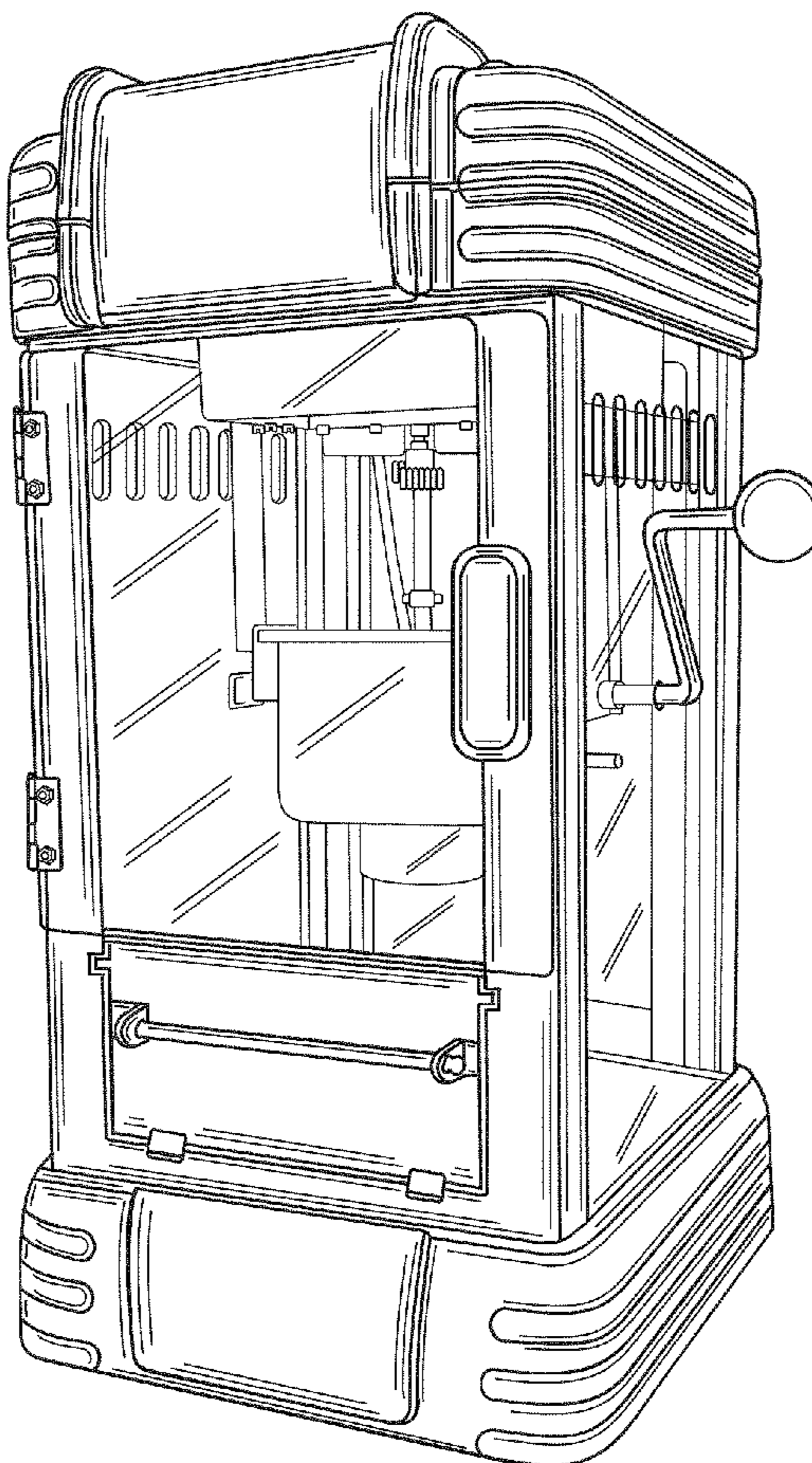
FIG. 4 is a right side elevational view thereof;

FIG. 5 is a left side elevational view thereof;

FIG. 6 is a top plan view thereof; and,

FIG. 7 is a bottom plan view thereof.

**1 Claim, 7 Drawing Sheets**



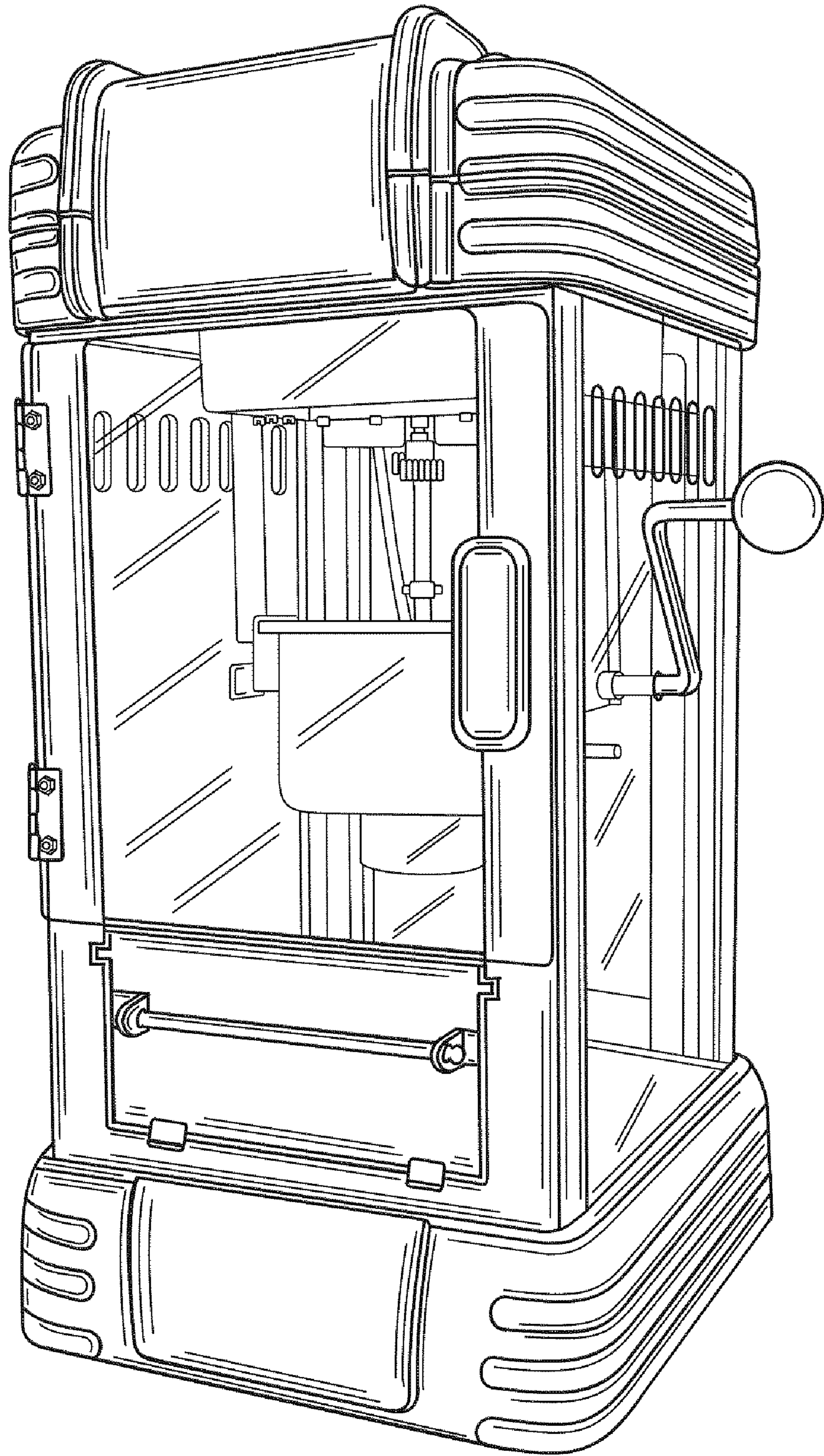


FIG. 1



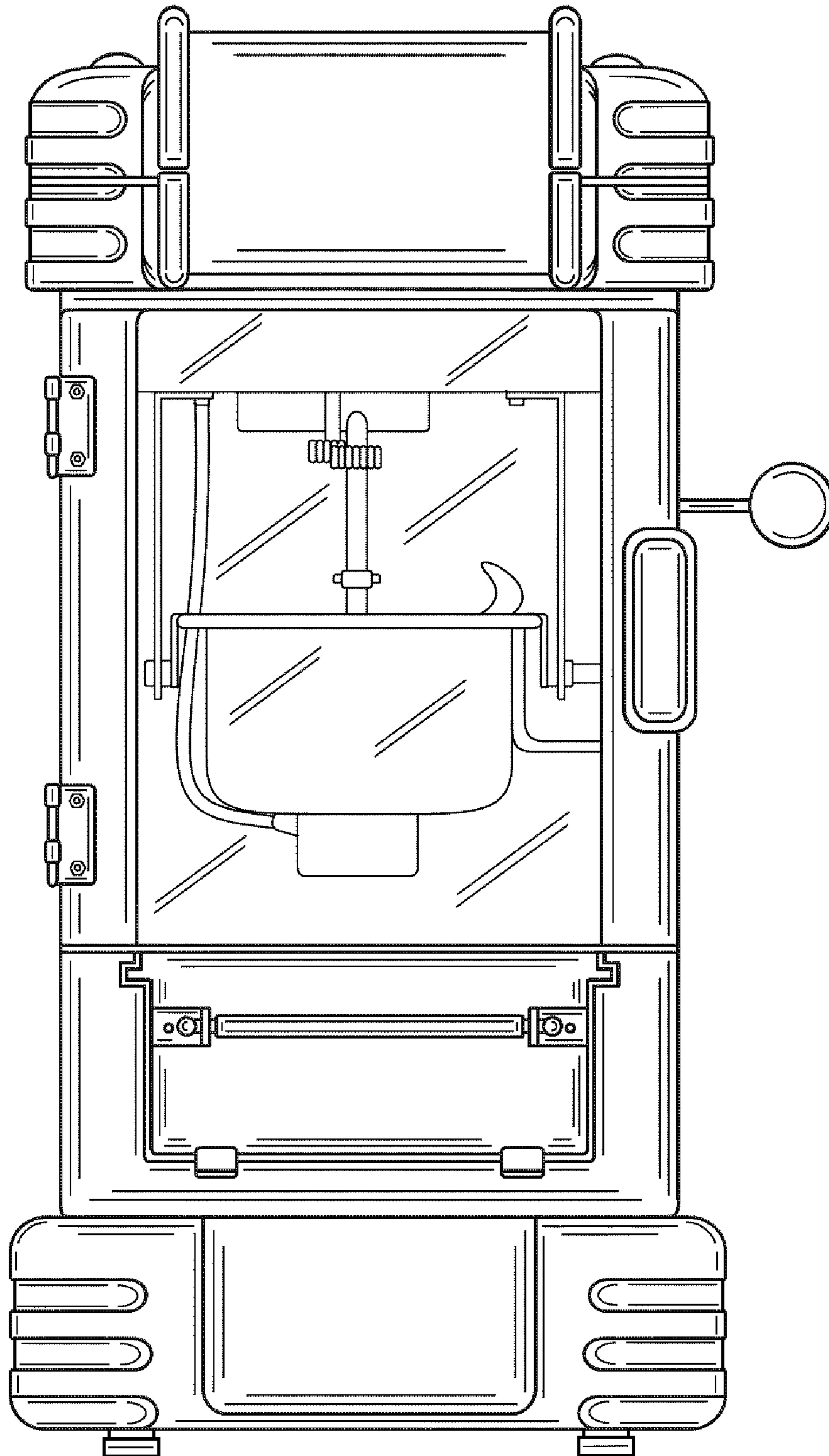


FIG. 2

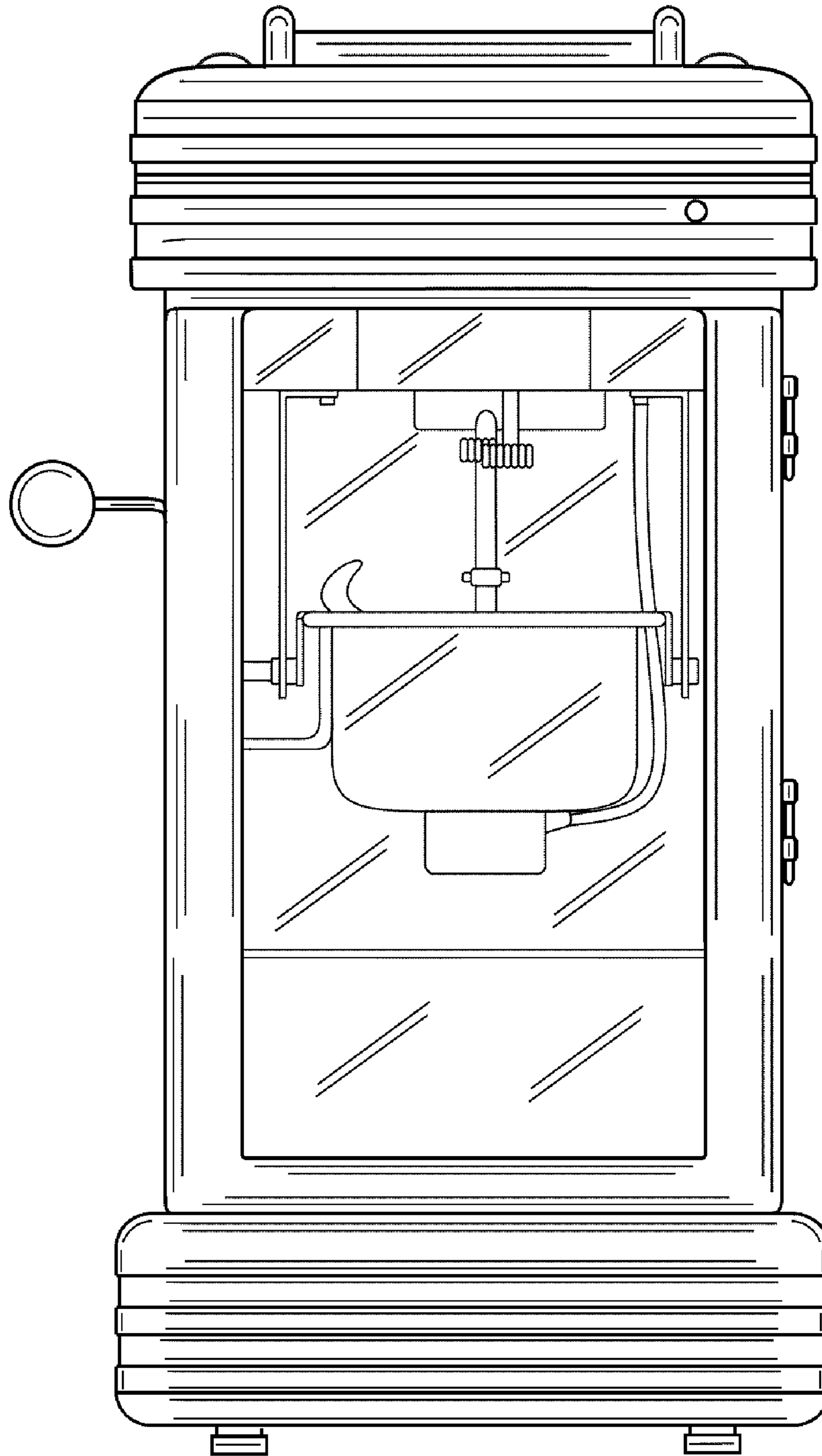


FIG. 3

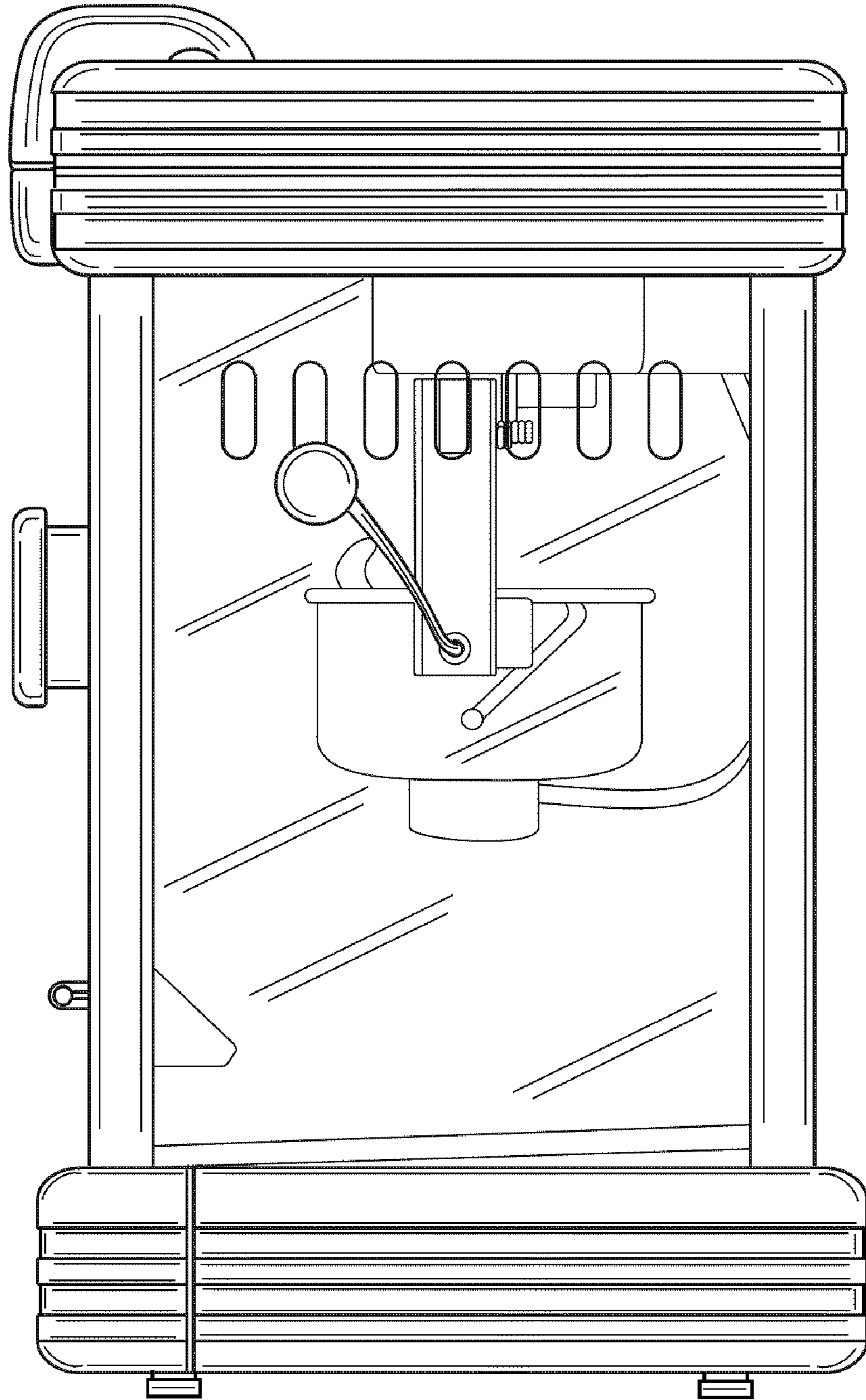


FIG. 4

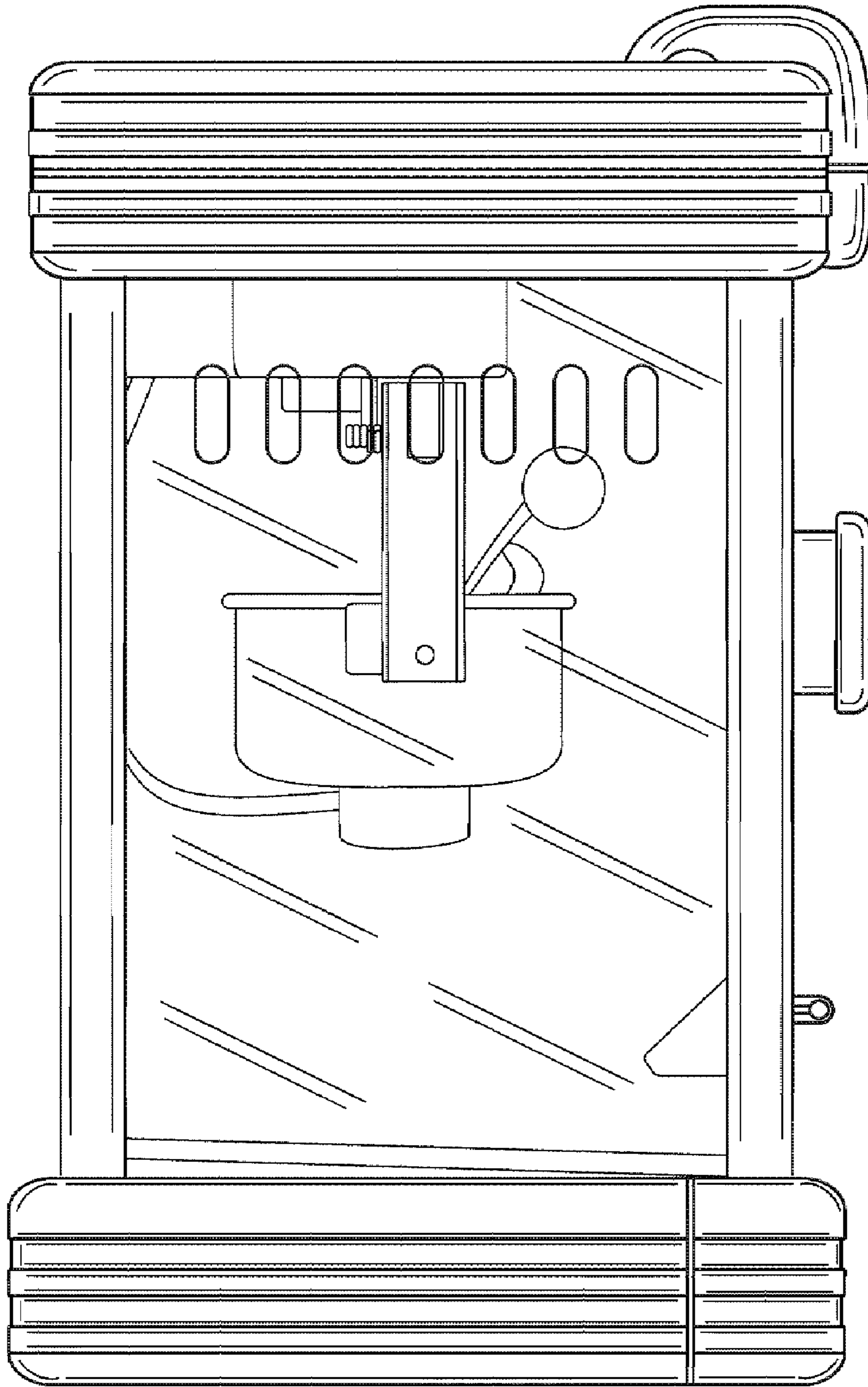


FIG. 5

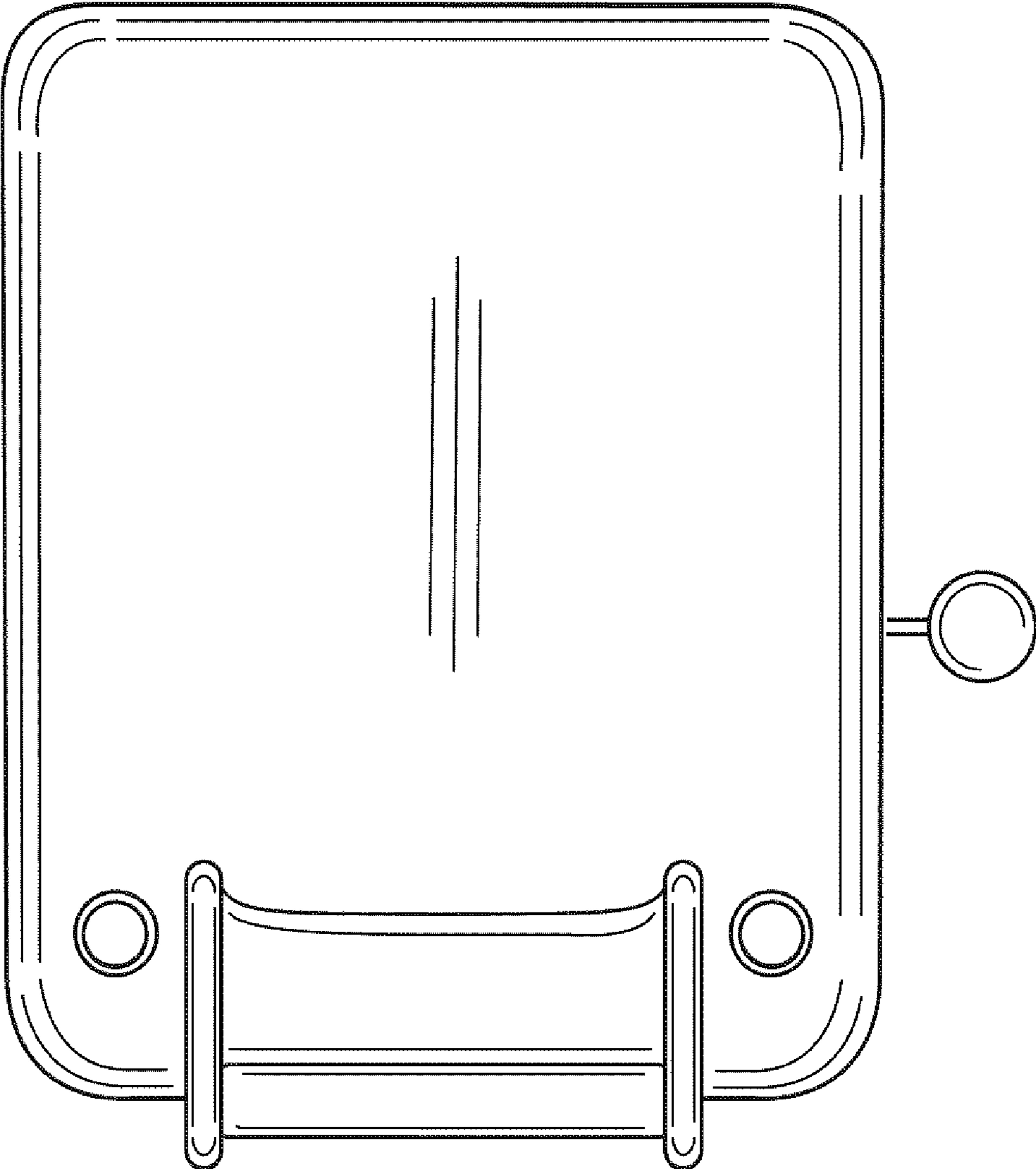


FIG. 6

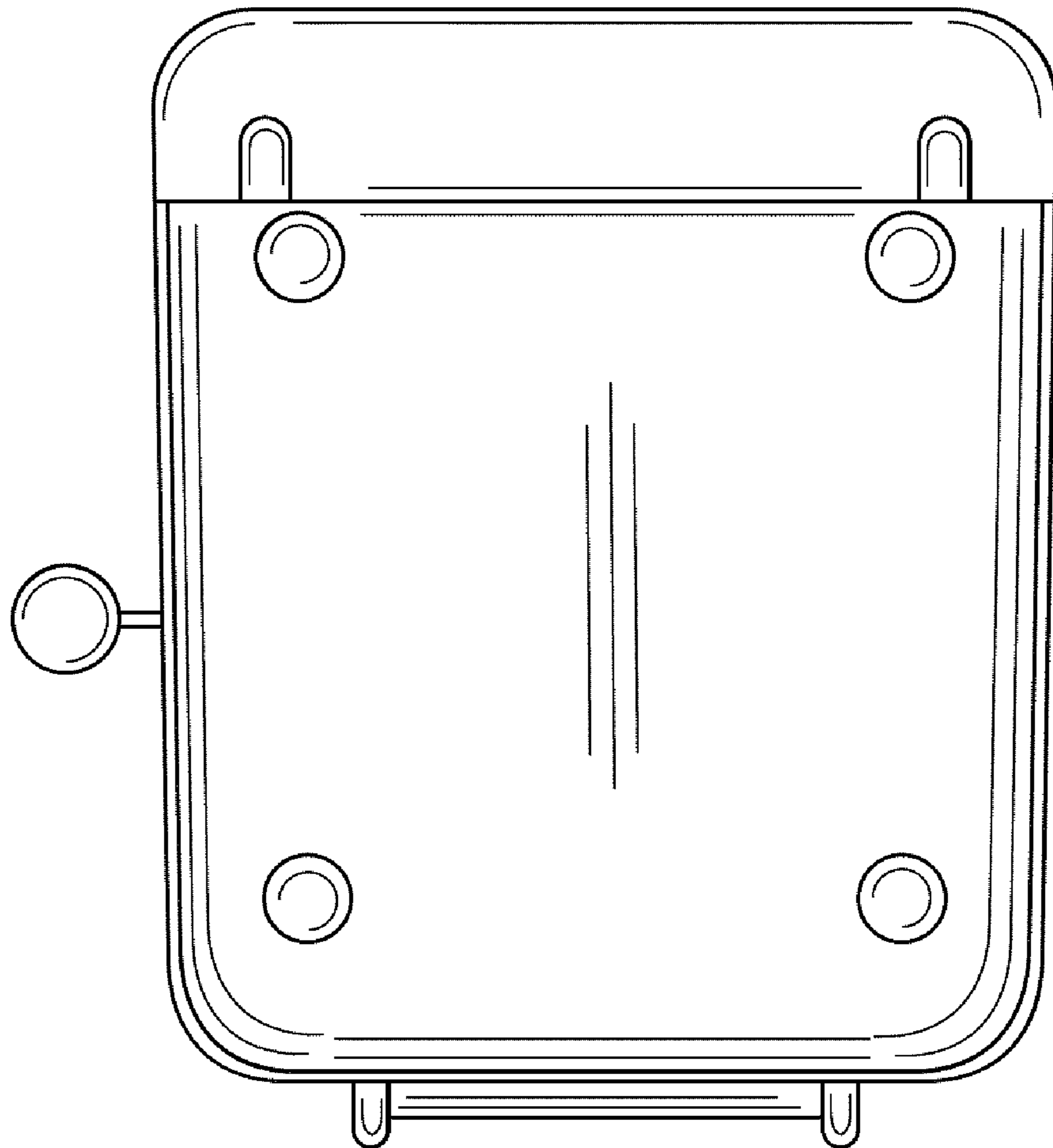


FIG. 7