



US00D573164S

(12) **United States Design Patent**
Nitzsche

(10) **Patent No.:** **US D573,164 S**

(45) **Date of Patent:** **** Jul. 15, 2008**

(54) **CUTTING TOOL**

(75) Inventor: **Hendrik Nitzsche**, Benningen (DE)

(73) Assignee: **Komet Group Holding GmbH**,
Besigheim (DE)

(**) Term: **14 Years**

(21) Appl. No.: **29/292,525**

(22) Filed: **Oct. 15, 2007**

(30) **Foreign Application Priority Data**

May 14, 2007 (EM) 000722384-0002
May 14, 2007 (EM) 000722384-0008

(51) **LOC (8) Cl.** **15-09**

(52) **U.S. Cl.** **D15/139**

(58) **Field of Classification Search** D15/138,
D15/139, 140; 407/35, 42, 112-119
See application file for complete search history.

(56) **References Cited**

U.S. PATENT DOCUMENTS

5,382,118 A * 1/1995 Satran et al. 407/42
5,437,522 A * 8/1995 Satran et al. 407/42
D364,178 S * 11/1995 Hansson et al. D15/139
5,597,271 A * 1/1997 Men et al. 407/113
5,803,674 A * 9/1998 Satran et al. 407/42
D415,178 S * 10/1999 Wiman D15/139
6,050,752 A * 4/2000 DeRoche 407/114
D487,281 S * 3/2004 Roman et al. D15/139
D496,950 S * 10/2004 Waggle et al. D15/139

D523,040 S * 6/2006 Niebauer et al. D15/139
D555,684 S * 11/2007 Waggle et al. D15/139
D559,286 S * 1/2008 Waggle et al. D15/139
2007/0059110 A1 * 3/2007 Choi et al. 407/113

* cited by examiner

Primary Examiner—Sandra Snapp

Assistant Examiner—Patricia Palasik

(74) *Attorney, Agent, or Firm*—Flynn, Thiel, Boutell & Tanis,
P.C.

(57) **CLAIM**

The ornamental design for a cutting tool, as shown and described.

DESCRIPTION

FIG. 1 is a top, front and right side isometric view of a cutting tool embodying my new design;

FIG. 2 is a further top, front and right side isometric view of the cutting tool;

FIG. 3 is a still further top, front and right side isometric view of the cutting tool;

FIG. 4 is a front view of the cutting tool;

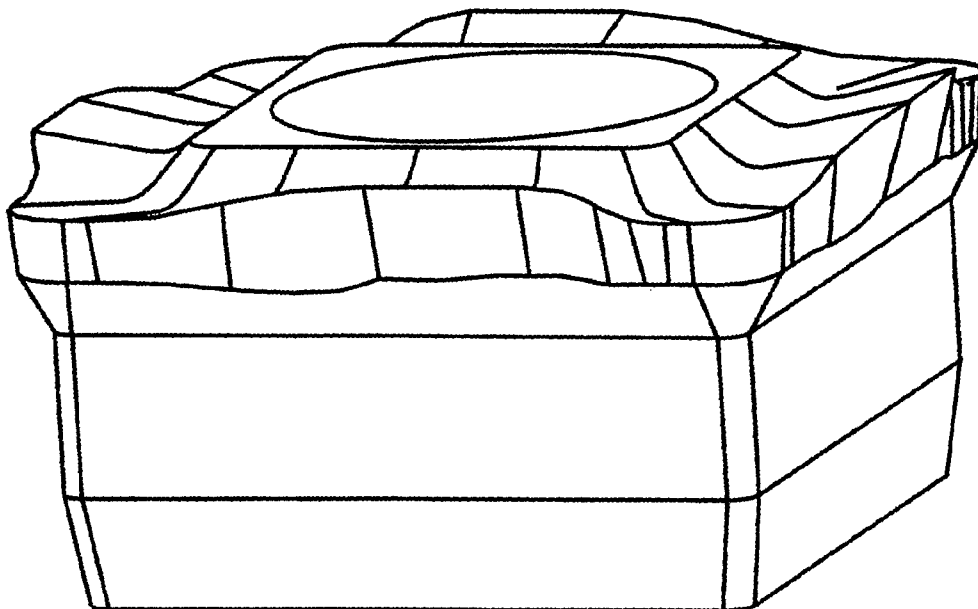
FIG. 5 is a bottom view of the cutting tool;

FIG. 6 is a top view of the cutting tool;

FIG. 7 is a bottom and front isometric view of the cutting tool; and,

FIG. 8 is a bottom, front and left side isometric view of the cutting tool.

1 Claim, 8 Drawing Sheets



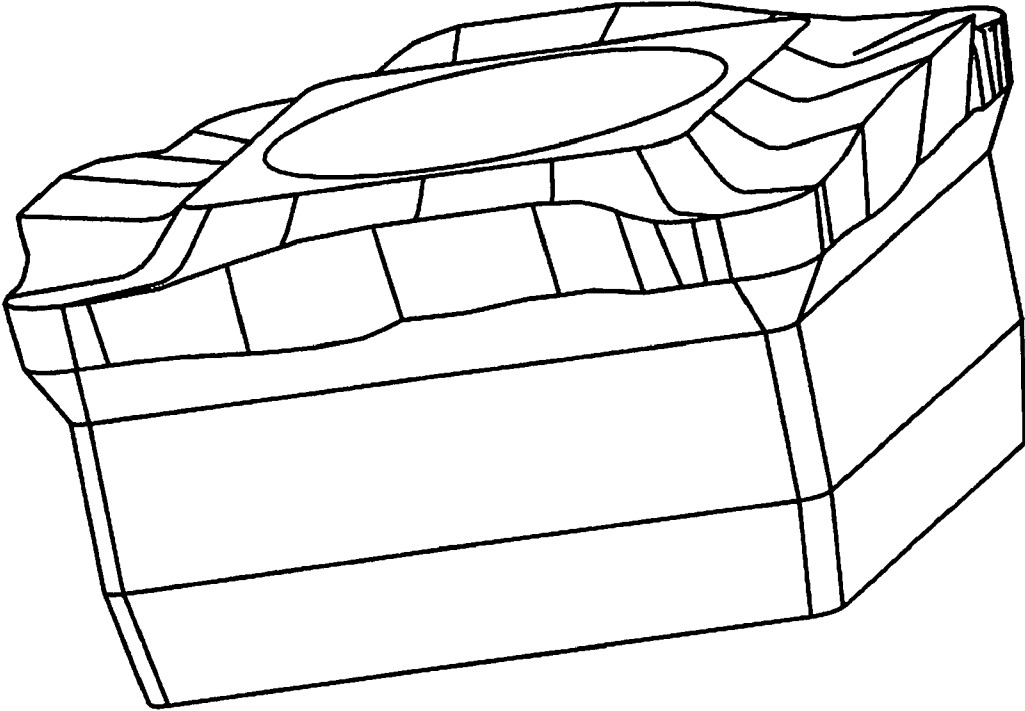


FIG. 1

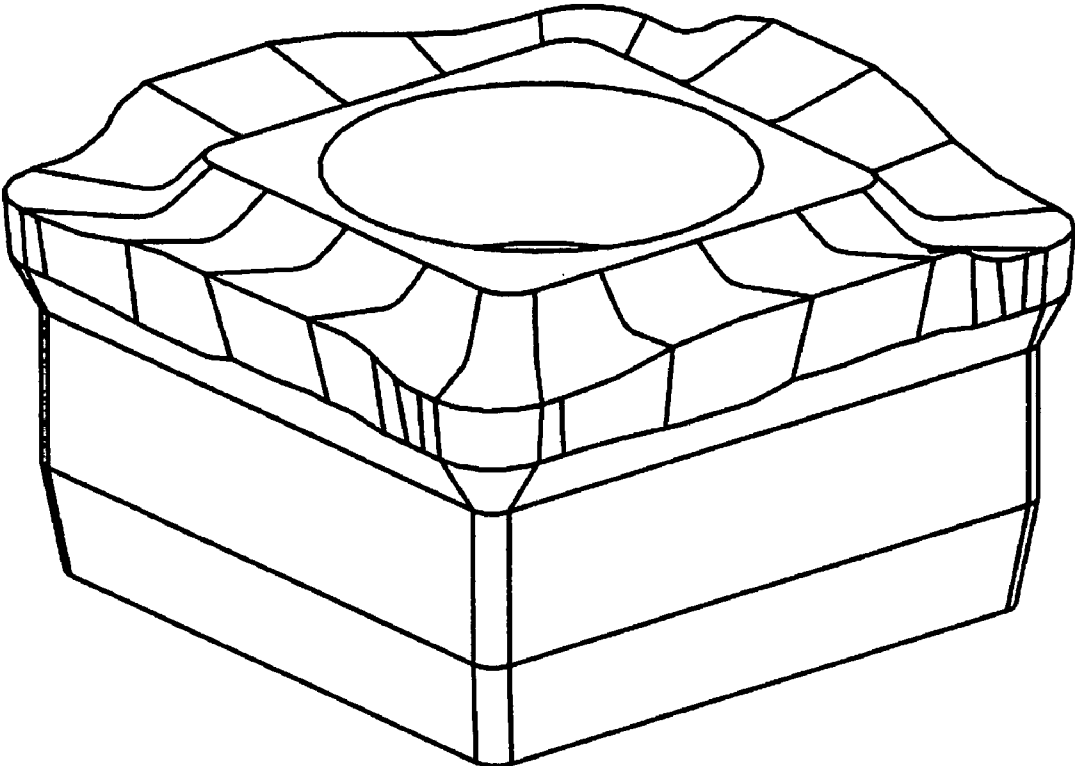


FIG. 2

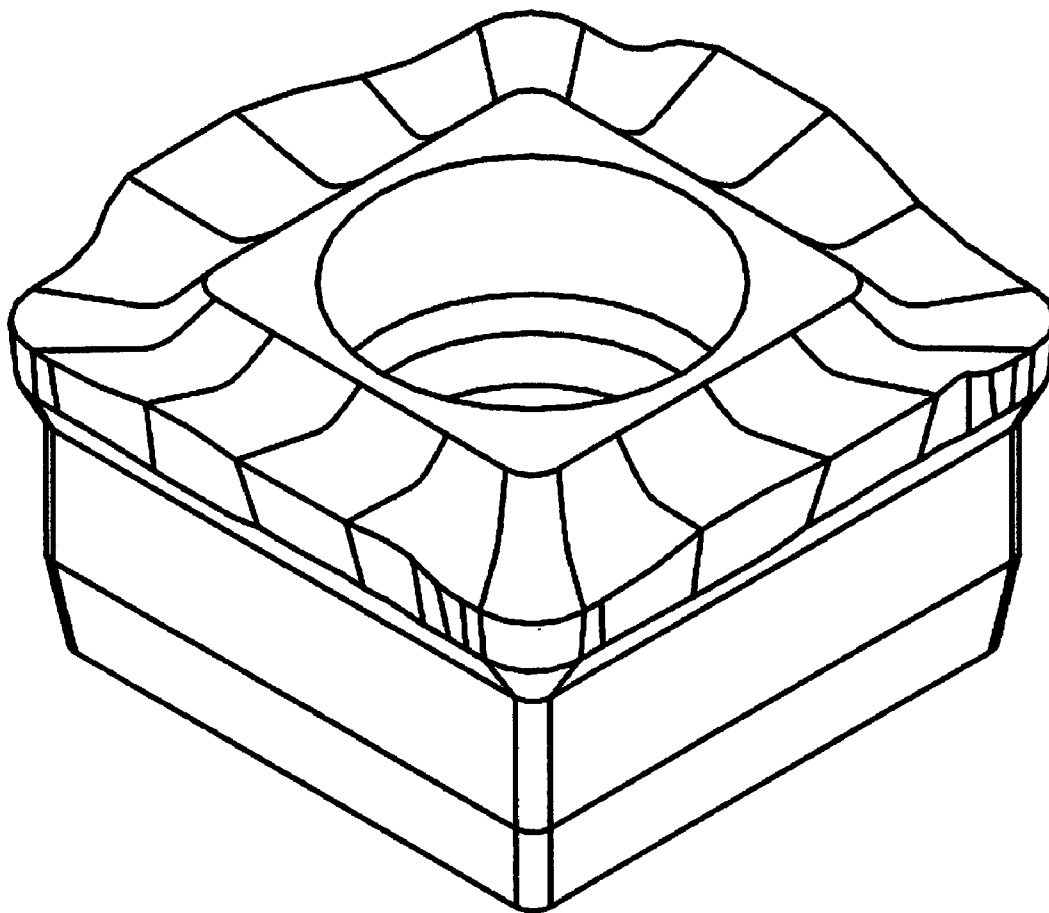


FIG. 3

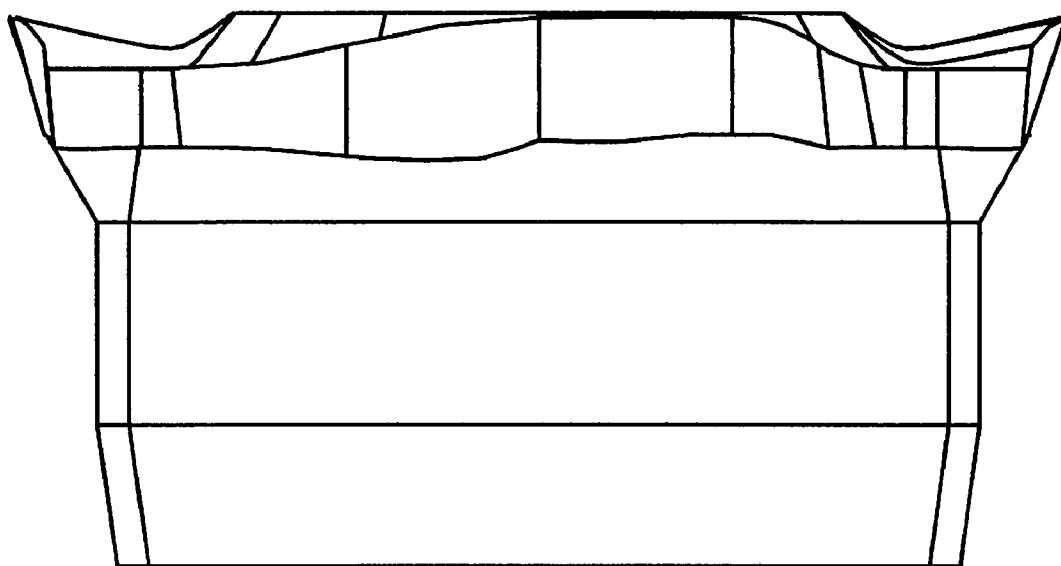


FIG. 4

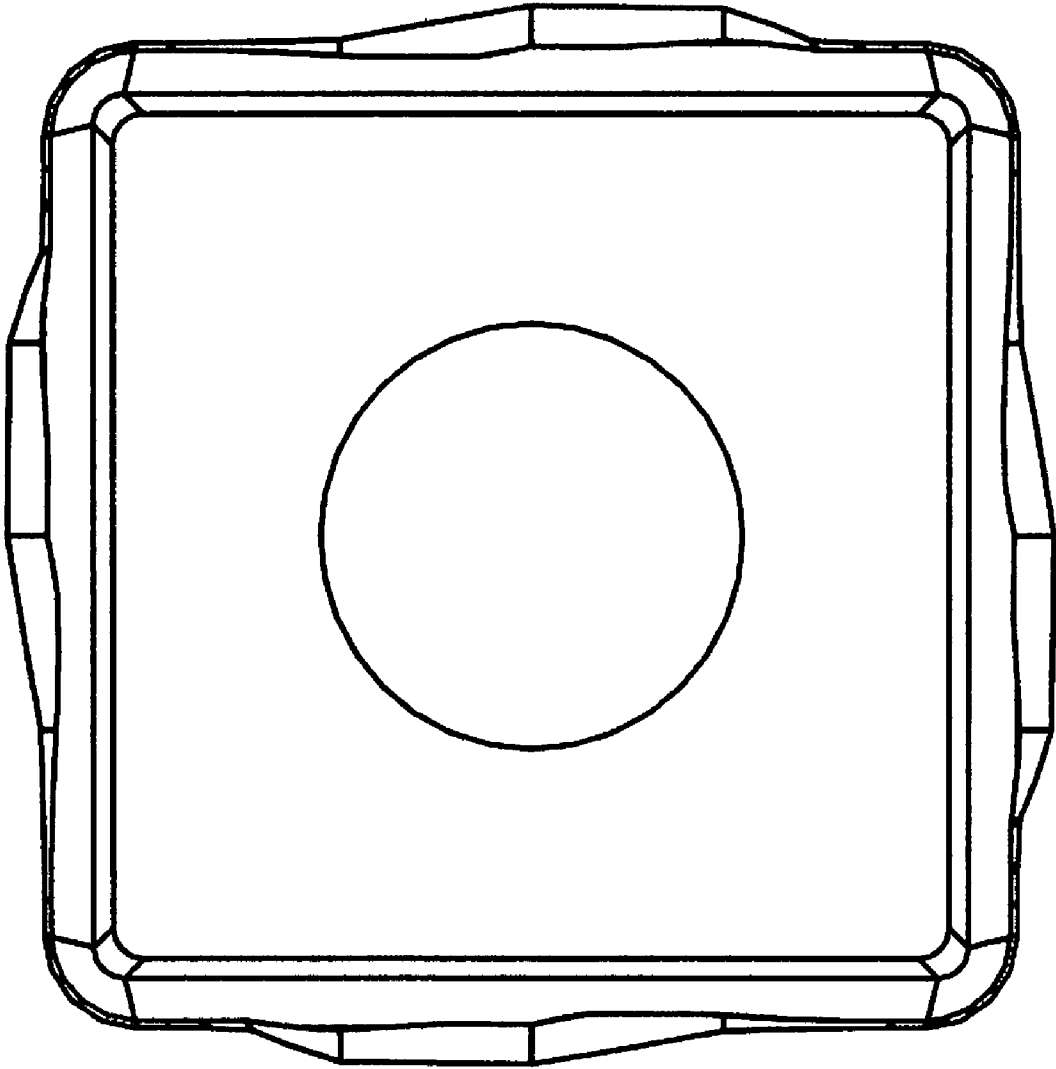


FIG. 5

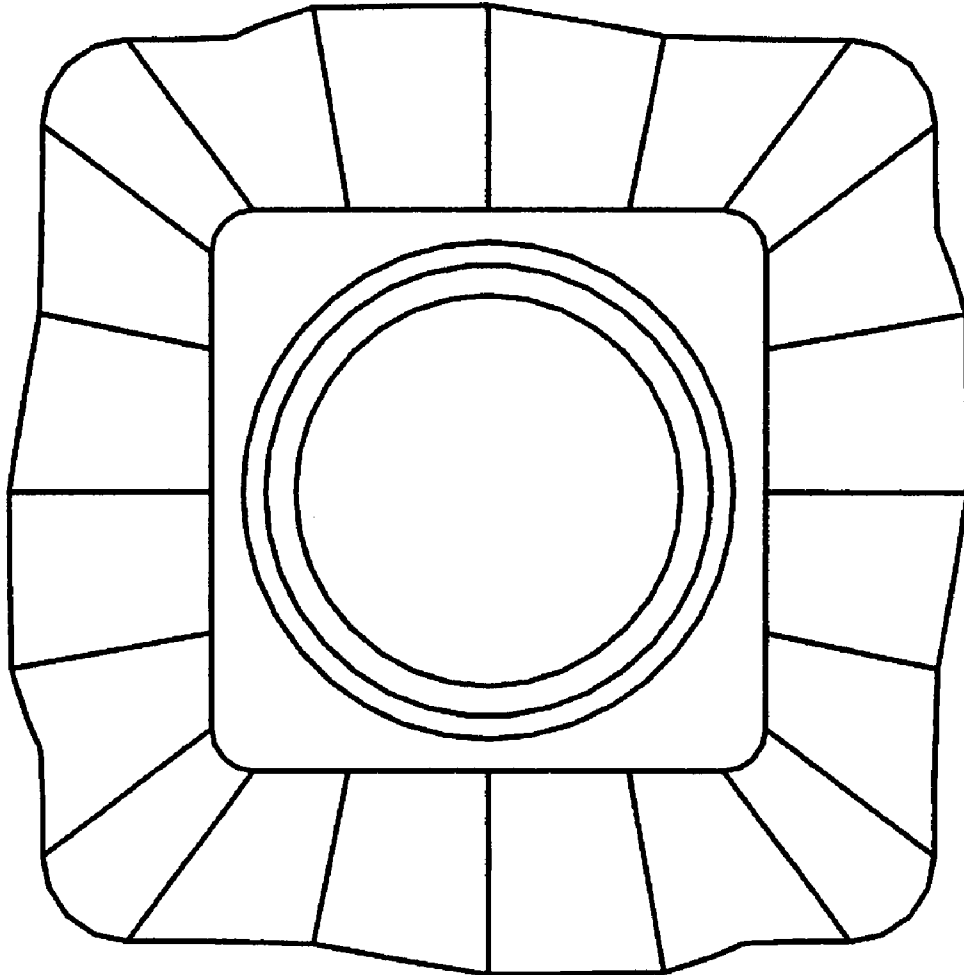


FIG. 6

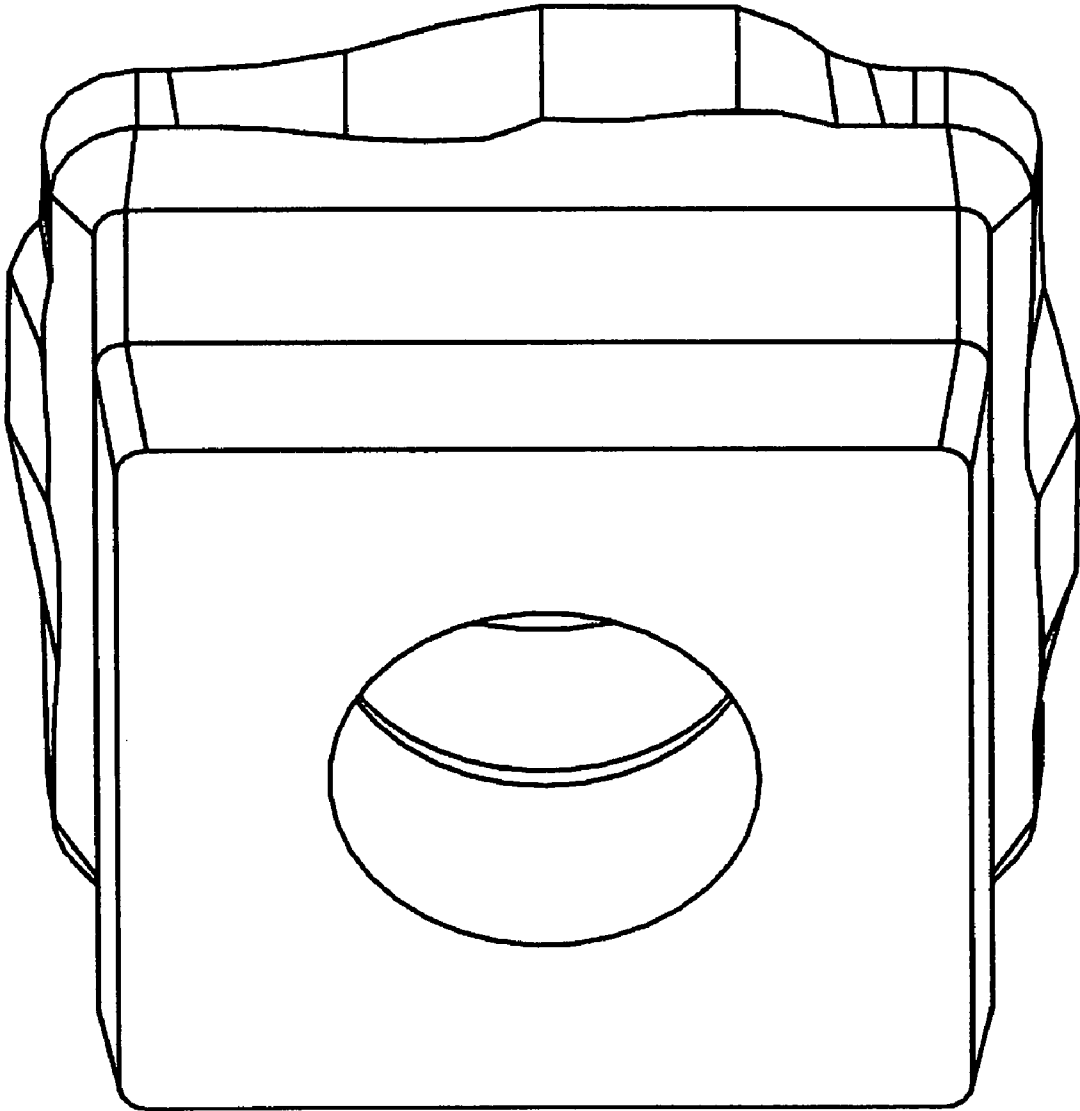


FIG. 7

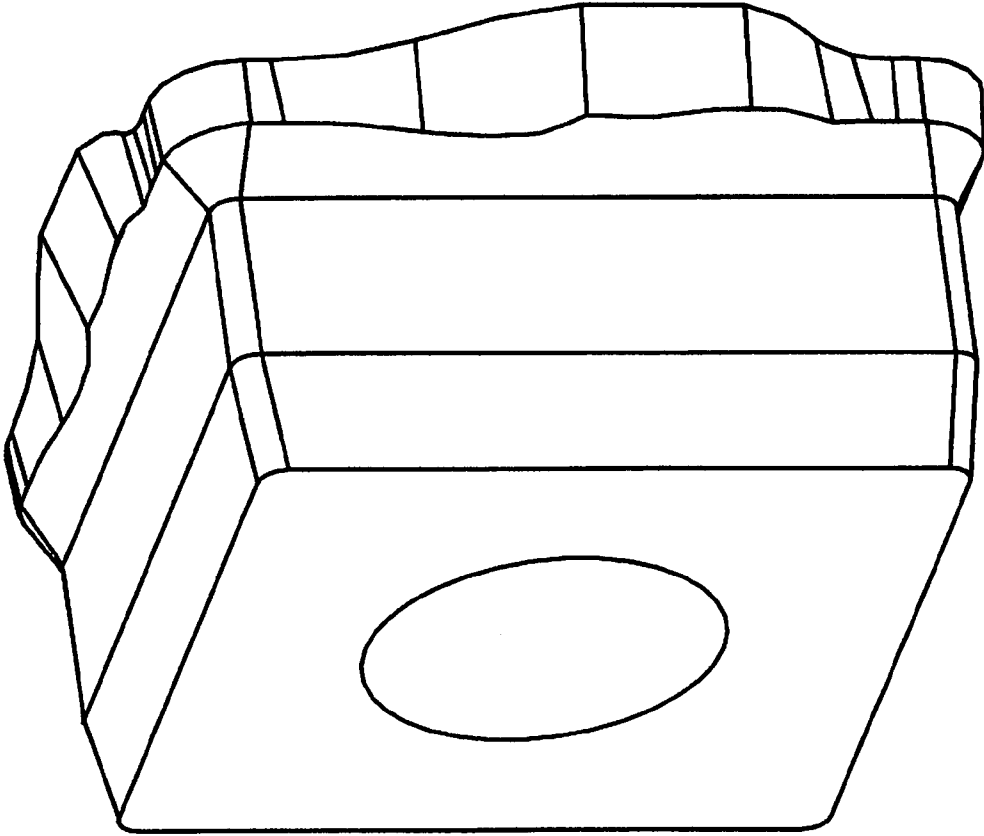


FIG. 8