



US00D948117S

(12) **United States Design Patent**
Lin

(10) **Patent No.:** **US D948,117 S**

(45) **Date of Patent:** **** Apr. 5, 2022**

(54) **HAIR DRYER**

(71) Applicant: **Enterecos (Guangdong) Technologies Co. Ltd.**, Zhongshan (CN)

(72) Inventor: **Hanyong Lin**, Zhongshan (CN)

(73) Assignee: **ENTERECOS (GUANGDONG) TECHNOLOGIES CO. LTD.**, Zhongshan (CN)

(**) Term: **15 Years**

(21) Appl. No.: **29/752,813**

(22) Filed: **Sep. 29, 2020**

(51) **LOC (13) Cl.** **28-03**

(52) **U.S. Cl.**

USPC **D28/13**

(58) **Field of Classification Search**

USPC D28/12-19; D8/29.1

CPC A45D 20/00; A45D 20/04; A45D 20/08;
A45D 20/10; A45D 20/12; A45D
2020/128

See application file for complete search history.

(56) **References Cited**

U.S. PATENT DOCUMENTS

D247,630 S * 3/1978 Wistrand D28/13
4,132,360 A * 1/1979 Lee, Jr. A45D 20/124
239/383

D782,733 S * 3/2017 Smith D28/13
D850,001 S * 5/2019 Coulton D28/18
D853,637 S * 7/2019 Coulton D28/18
D901,768 S * 11/2020 Ceva D28/13
D903,194 S * 11/2020 Huang D28/13
D914,973 S * 3/2021 Huang D28/13
D933,291 S * 10/2021 Huang D28/13
D935,094 S * 11/2021 Zhou D28/13

* cited by examiner

Primary Examiner — Zenia I Bennett

(74) *Attorney, Agent, or Firm* — McClure, Qualey & Rodack, LLP

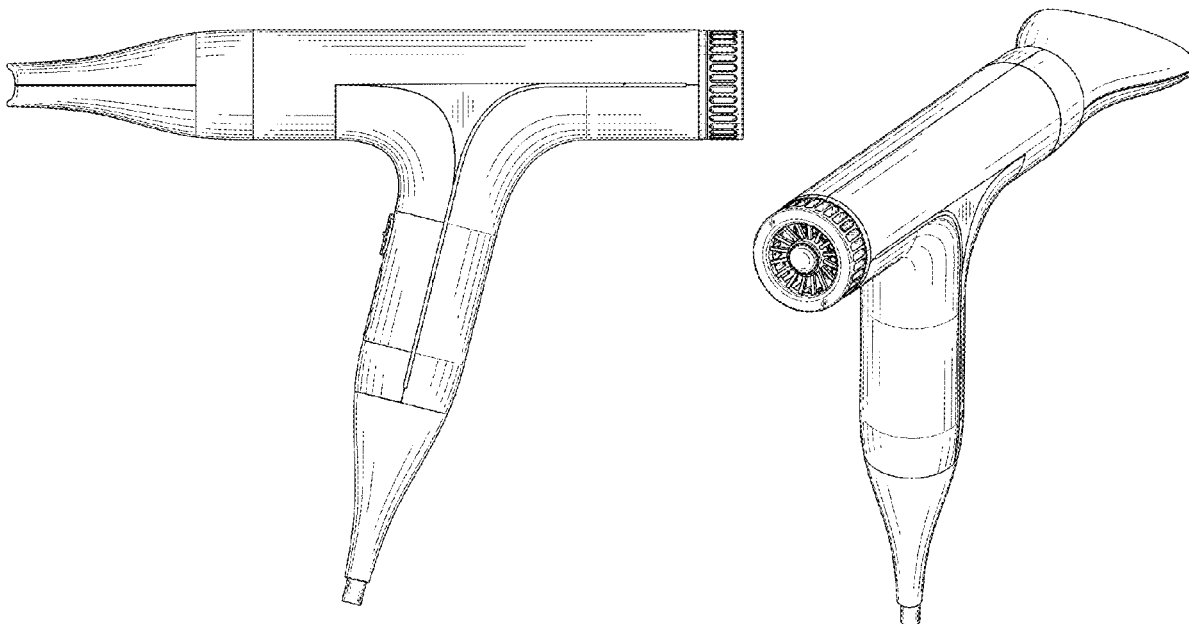
(57) **CLAIM**

The ornamental design for a hair dryer, as shown and described.

DESCRIPTION

FIG. 1 is a perspective view of a hair dryer;
FIG. 2 is a front elevational view thereof;
FIG. 3 is a rear elevational view thereof;
FIG. 4 is a left side elevational view thereof;
FIG. 5 is a right side elevational view thereof;
FIG. 6 is a top plan view thereof;
FIG. 7 is a bottom plan view thereof; and,
FIG. 8 is another perspective view of the hair dryer.
The broken lines shown in FIG. 4 and FIG. 5 illustrate portions of the hair dryer that form no part of the claimed design.

1 Claim, 8 Drawing Sheets



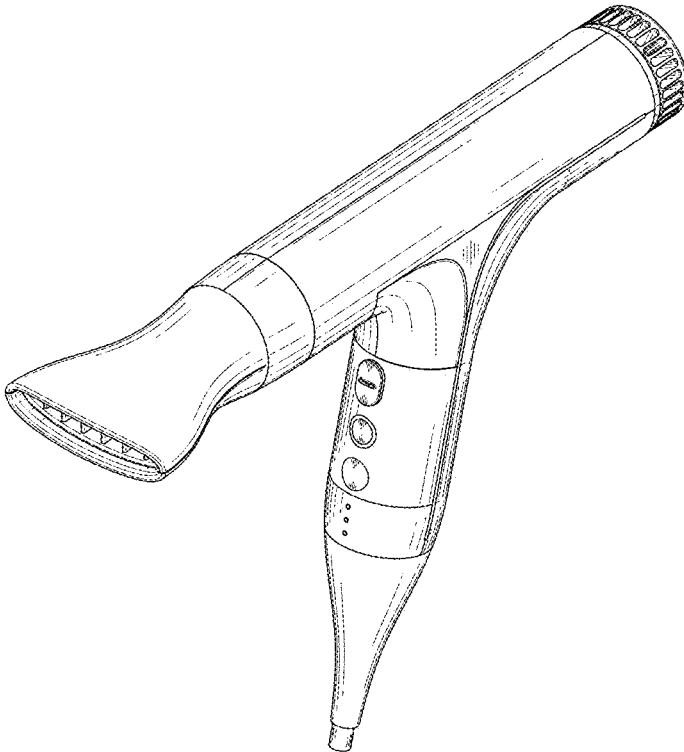


FIG.1

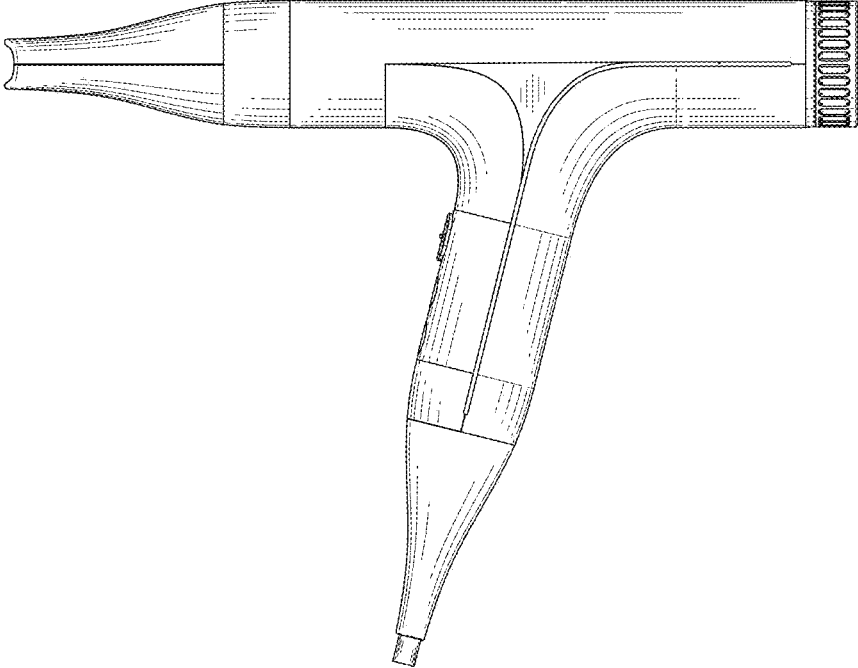


FIG.2

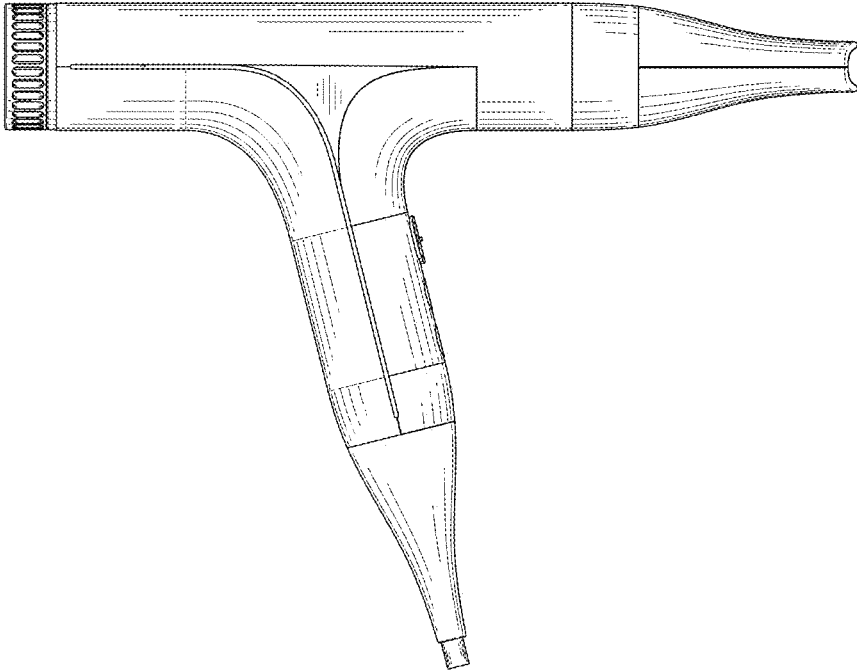


FIG.3

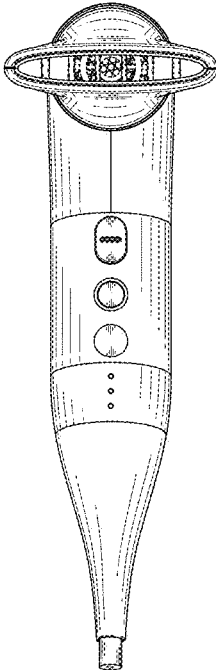


FIG.4

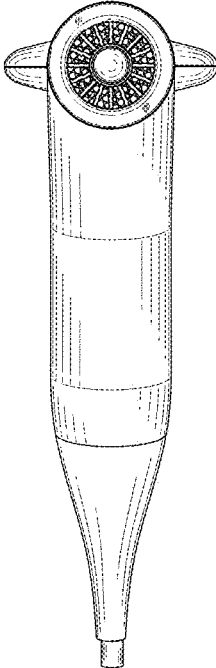


FIG.5

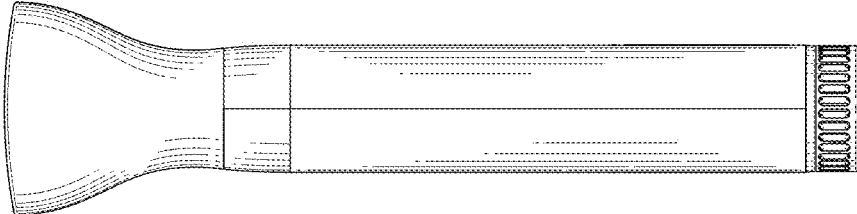


FIG.6

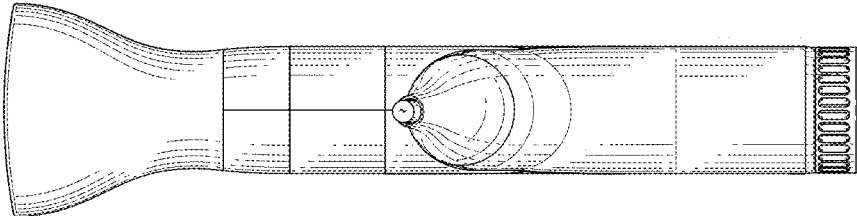


FIG.7

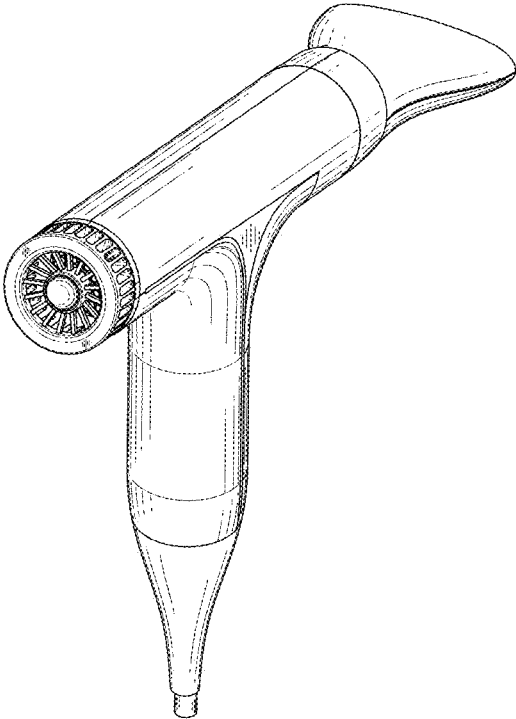


FIG.8