



US00D975642S

(12) **United States Design Patent**  
**Dong et al.**

(10) **Patent No.:** **US D975,642 S**

(45) **Date of Patent:** **\*\* Jan. 17, 2023**

(54) **POWER BOX**

(71) Applicant: **FULTON SCIENCE AND TECHNOLOGY LIGHTING CO., LTD.**, Shenzhen (CN)

(72) Inventors: **Pei Dong**, Shenzhen (CN); **Zhiqiang Xue**, Shenzhen (CN)

(73) Assignee: **FULTON SCIENCE AND TECHNOLOGY LIGHTING CO., LTD.**, Shenzhen (CN)

(\*\*) Term: **15 Years**

(21) Appl. No.: **29/771,396**

(22) Filed: **Feb. 23, 2021**

(51) **LOC (14) Cl.** ..... **13-02**

(52) **U.S. Cl.**  
USPC ..... **D13/110**

(58) **Field of Classification Search**  
USPC ... D13/110, 103, 107, 108, 123, 133, 137.1, D13/138.1, 139.1, 144, 180, 199; D14/240, 251, 253, 432, 433, 434  
CPC ..... H01R 13/00; H01R 13/44; H01R 25/00; H01R 27/00; H01R 27/02; H01R 31/06; H01R 31/065; H02J 1/00; H02J 7/00; H02J 7/0044; H02J 3/005; H01M 10/46; H03B 5/04

See application file for complete search history.

(56) **References Cited**

**U.S. PATENT DOCUMENTS**

D426,810 S \* 6/2000 Wei ..... D13/110  
D537,410 S \* 2/2007 Yuen ..... D13/110

D550,617 S \* 9/2007 Wang ..... D13/101  
D646,633 S \* 10/2011 Inskeep ..... D13/110  
D662,880 S \* 7/2012 Scott ..... D13/110  
D806,026 S \* 12/2017 Ceravalo ..... D13/110  
D863,656 S \* 10/2019 Klase ..... D26/113  
D864,454 S \* 10/2019 Lv ..... D26/76

\* cited by examiner

*Primary Examiner* — Derrick E Holland

(57) **CLAIM**

The ornamental design for a power box, as shown and described.

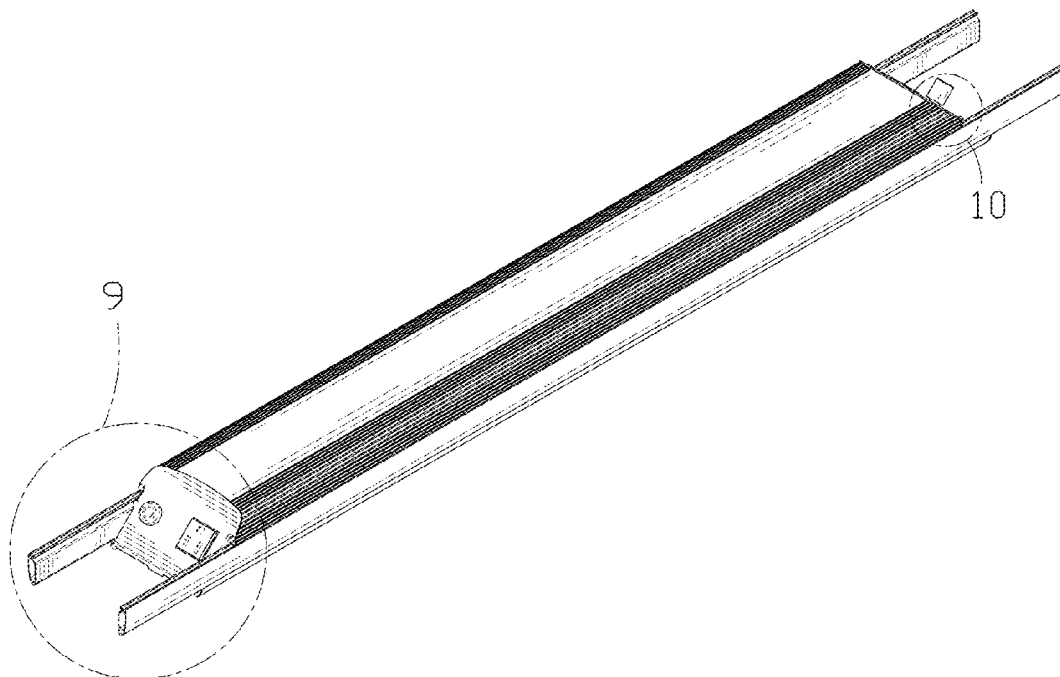
**DESCRIPTION**

FIG. 1 is a perspective view of a power box showing my new design;  
FIG. 2 is another perspective view thereof;  
FIG. 3 is a front elevational view thereof;  
FIG. 4 is a rear elevational view thereof;  
FIG. 5 is a left side elevational view thereof;  
FIG. 6 is a right side elevational view thereof;  
FIG. 7 is a top plan view thereof;  
FIG. 8 is a bottom plan view thereof;  
FIG. 9 is an enlarged view of the encircled portion 9 of FIG. 1; and,  
FIG. 10 is an enlarged view of the encircled portion 10 of FIG. 1.

The broken lines in the drawings are for the purpose of illustrating portions of the power box that form no part of the claimed design.

The long-dash short-dash broken lines define the bounds of the claimed design and form no part thereof.

**1 Claim, 10 Drawing Sheets**



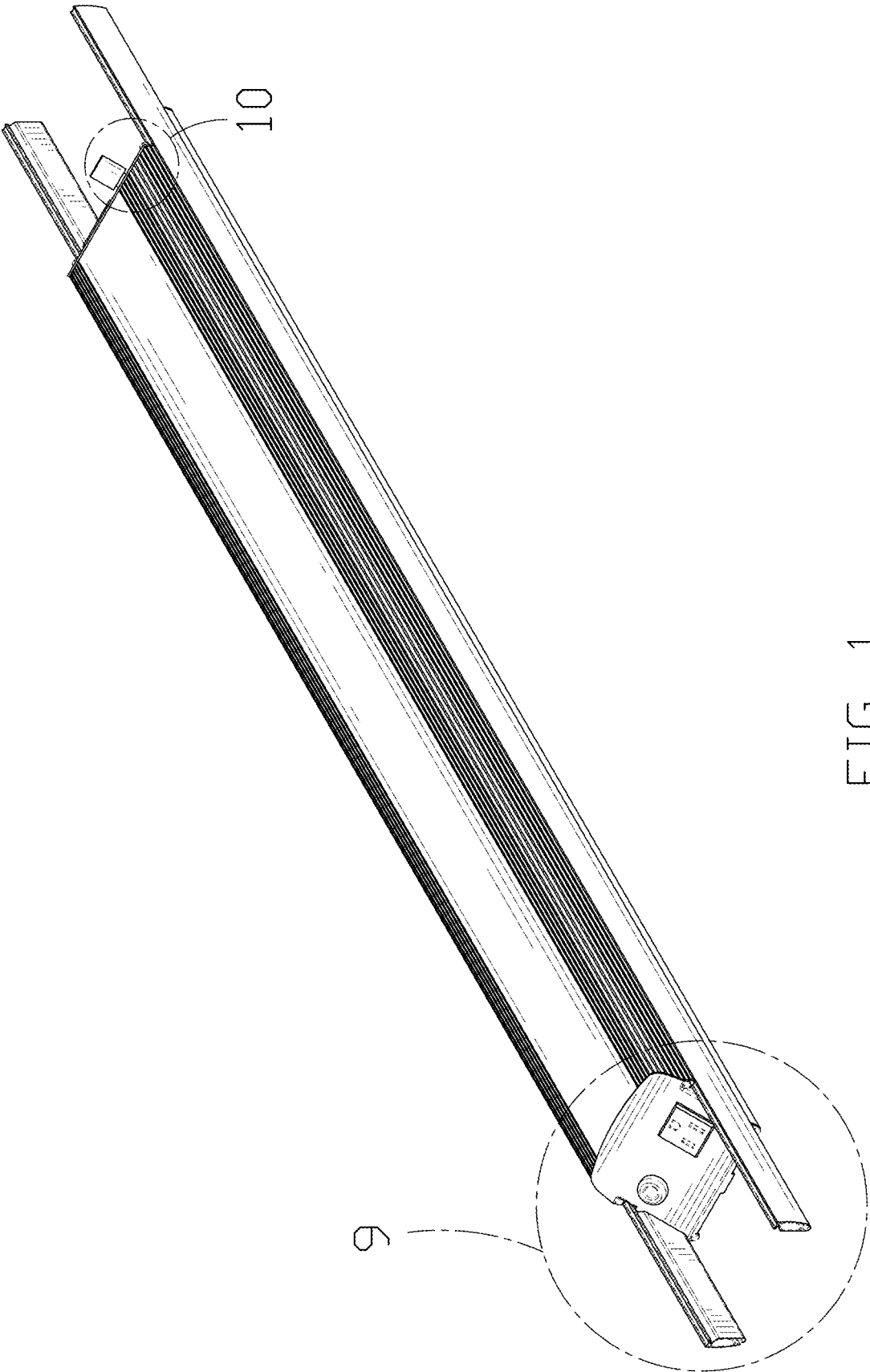


FIG. 1

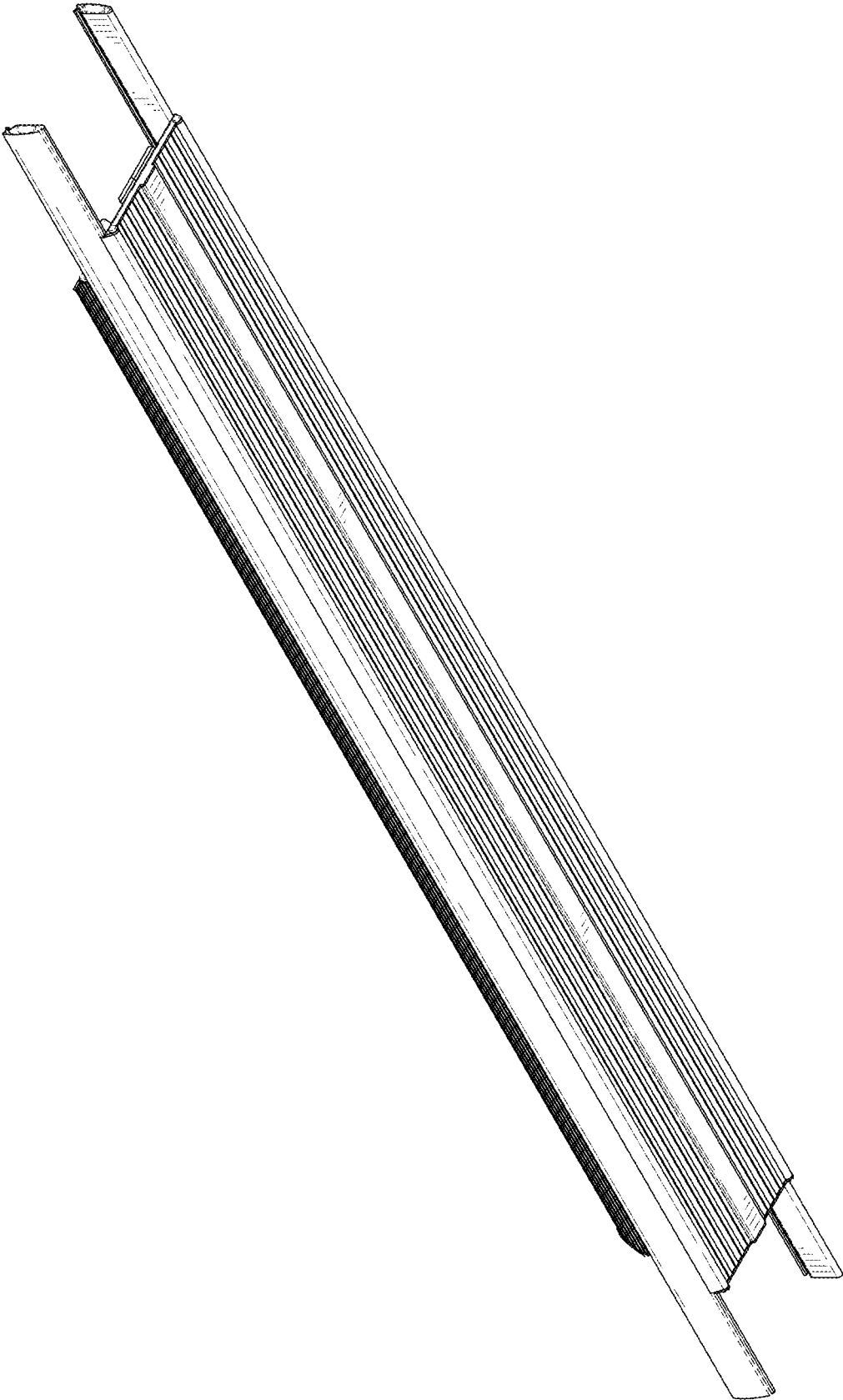


FIG. 2

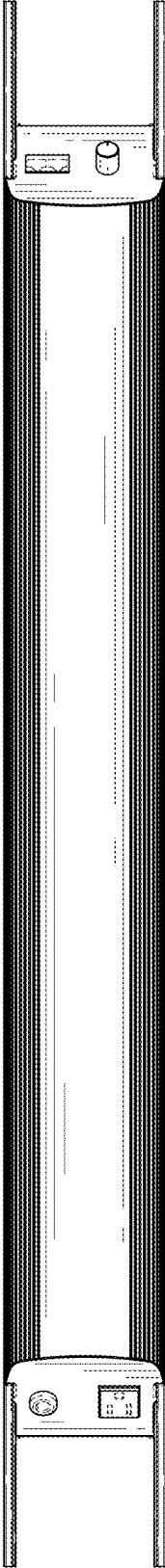


FIG. 3

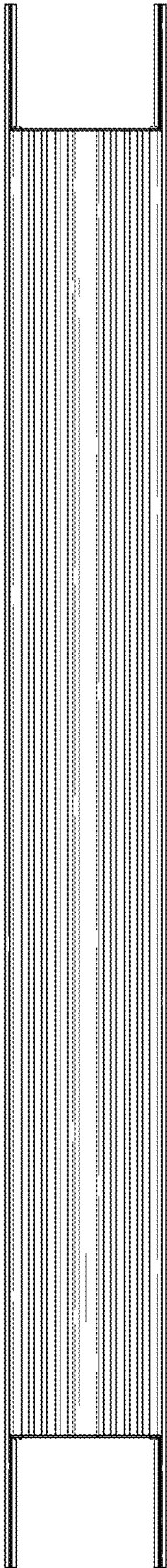


FIG. 4

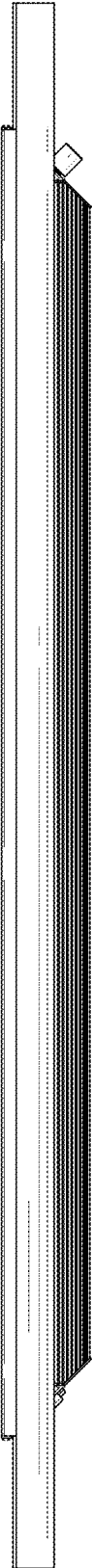


FIG. 5

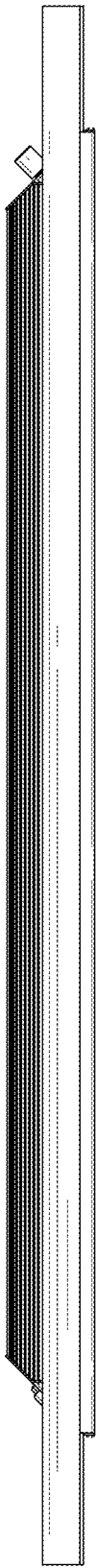


FIG. 6

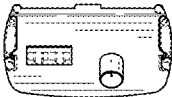


FIG. 7



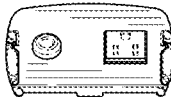


FIG. 8

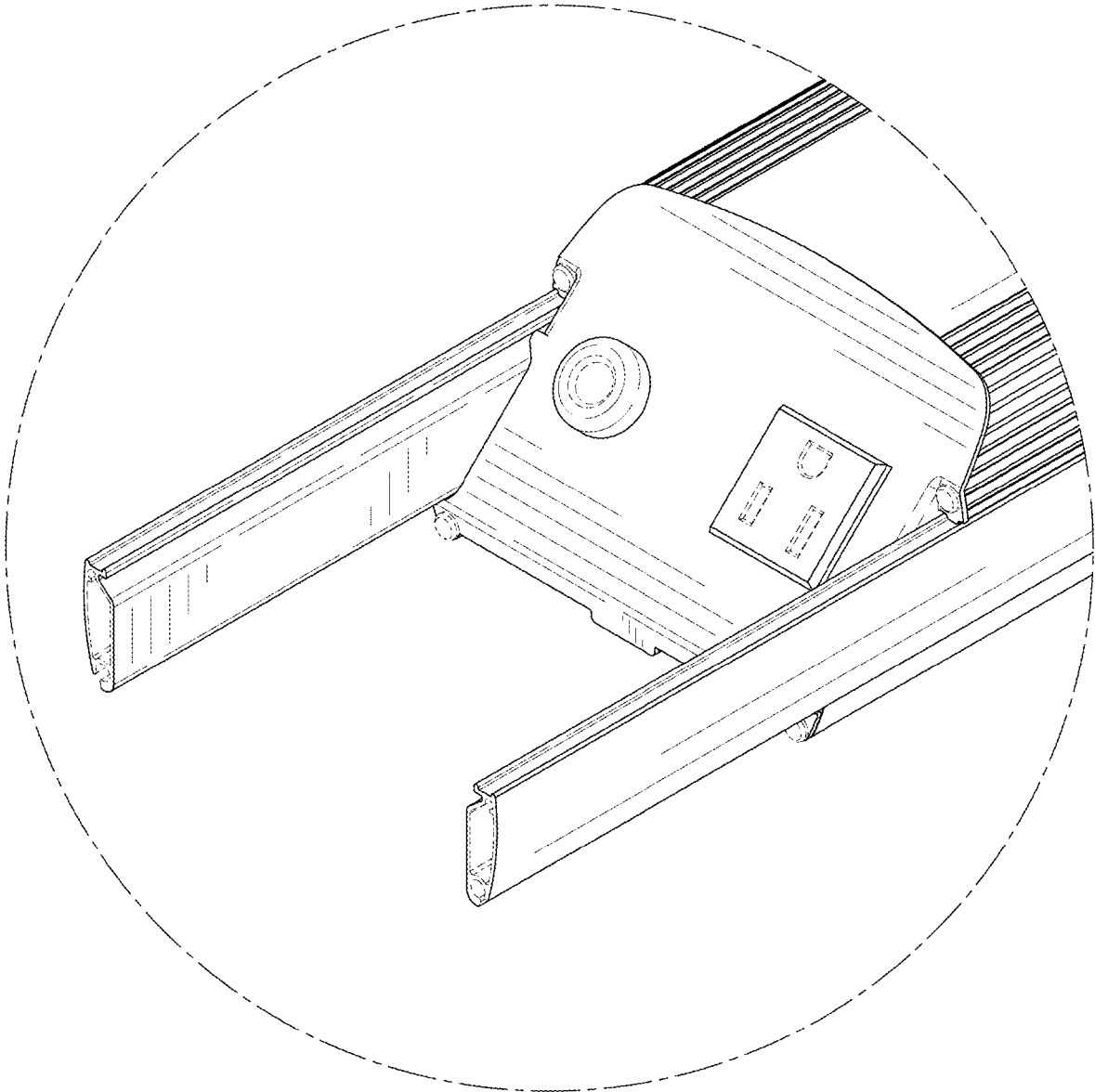


FIG. 9

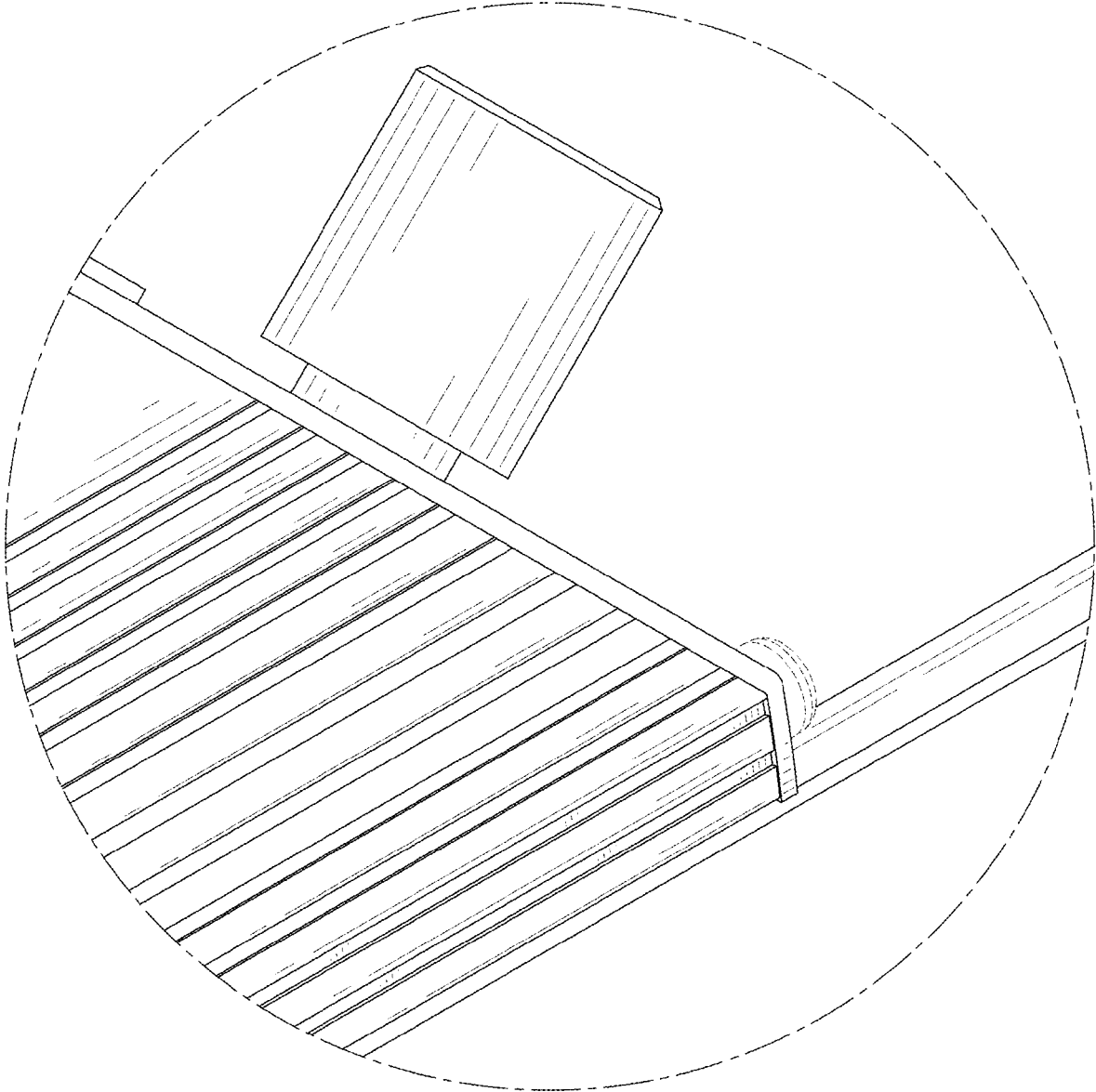


FIG. 10