



US00D729936S

(12) **United States Design Patent**
Reback

(10) **Patent No.:** **US D729,936 S**

(45) **Date of Patent:** **** May 19, 2015**

- (54) **THERAPEUTIC GAS DELIVERY DEVICE**
- (71) Applicant: **INO Therapeutics LLC**, Hampton, NJ (US)
- (72) Inventor: **Nicholas Scott Reback**, Madison, WI (US)
- (73) Assignee: **INO Therapeutics LLC**, Hampton, NJ (US)

7,681,572 B2	3/2010	Fishman	
D613,411 S *	4/2010	Collins et al.	D24/186
D619,700 S	7/2010	Kenyon et al.	
D635,244 S *	3/2011	Virr et al.	D24/110
D666,299 S	8/2012	Bergman et al.	
D666,724 S	9/2012	Wilhelm	
D679,800 S	4/2013	Gusky et al.	
D681,231 S *	4/2013	Steinhauer et al.	D24/232
D693,468 S *	11/2013	Meng et al.	D24/164
2009/0044804 A1	2/2009	Fishman	
2012/0029376 A1 *	2/2012	Meng et al.	600/538

(**) Term: **14 Years**

(21) Appl. No.: **29/464,499**

(22) Filed: **Aug. 16, 2013**

(51) **LOC (10) Cl.** **24-00**

(52) **U.S. Cl.**
USPC **D24/164**

(58) **Field of Classification Search**
USPC D24/220, 164, 221, 176, 180, 170, 187, D24/142, 64, 165, 110.5, 110, 186, 232, D24/216, 231, 169, 168, 163; D7/379; D15/19, 138, 147; D14/218; D10/78, D10/96; 73/23.3, 861.52; 128/205.24; 600/538, 529, 532; 222/145.6; 366/172.1, 181.4, 307, 318, 320, 323, 366/336, 339

See application file for complete search history.

(56) **References Cited**

U.S. PATENT DOCUMENTS

D339,635 S *	9/1993	Waterson et al.	D24/164
D483,859 S *	12/2003	Omholt	D24/110
D510,044 S *	9/2005	Ribeiro et al.	D10/78
D585,540 S *	1/2009	Lithgow et al.	D24/110
D606,655 S *	12/2009	Wilkinson et al.	D24/164

OTHER PUBLICATIONS

U.S. Appl. No. 29/455,842, filed May 24, 2013, *Therapy Gas Delivery Device*, 15 pgs.

* cited by examiner

Primary Examiner — Holly Baynham

Assistant Examiner — Rhea Shields

(74) *Attorney, Agent, or Firm* — Servilla Whitney LLC

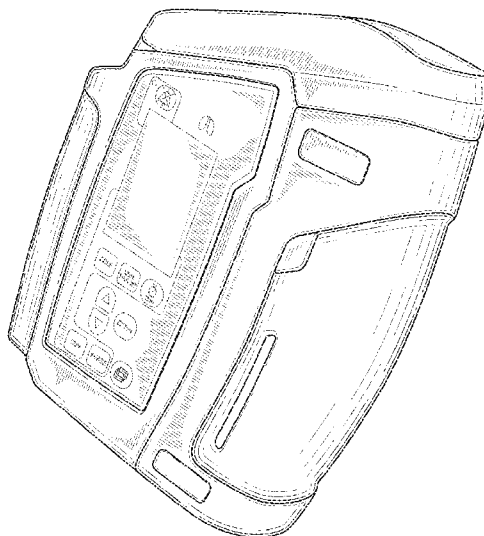
(57) **CLAIM**

The ornamental design for a therapeutic gas delivery device, substantially as shown and described.

DESCRIPTION

FIG. 1 is a front top right perspective view of a therapeutic gas delivery device;
FIG. 2 is a front view of a therapeutic gas delivery device;
FIG. 3 is a right view of a therapeutic gas delivery device;
FIG. 4 is a back view of a therapeutic gas delivery device;
FIG. 5 is a left view of a therapeutic gas delivery device;
FIG. 6 is a top view of a therapeutic gas delivery device; and,
FIG. 7 is a bottom view of a therapeutic gas delivery device.
In the drawings, the broken lines depict environmental subject matter only and form no part of the claimed design.

1 Claim, 5 Drawing Sheets



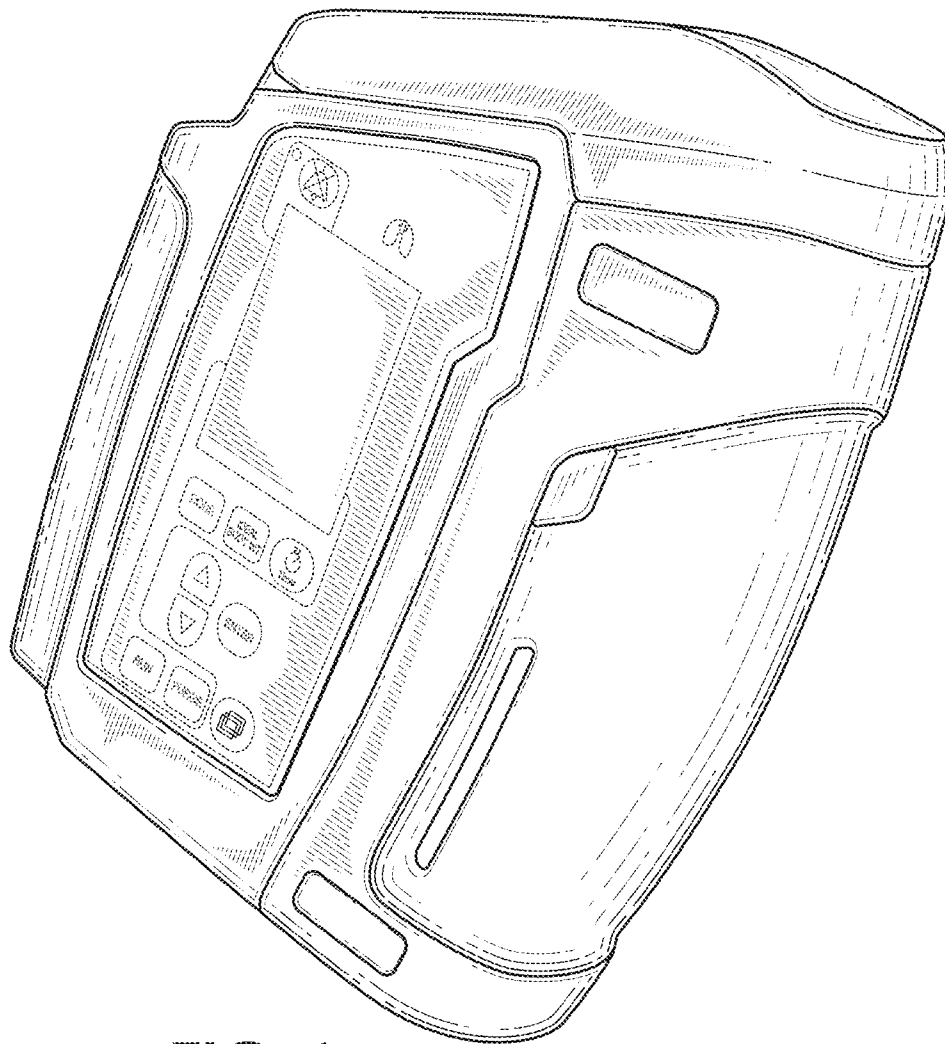


FIG. 1



FIG. 2

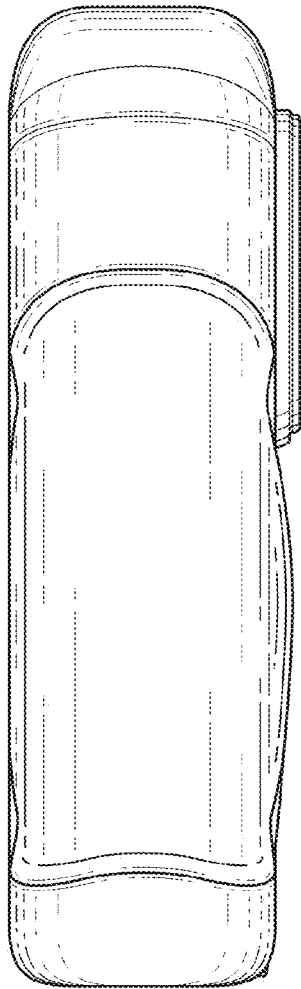


FIG. 3

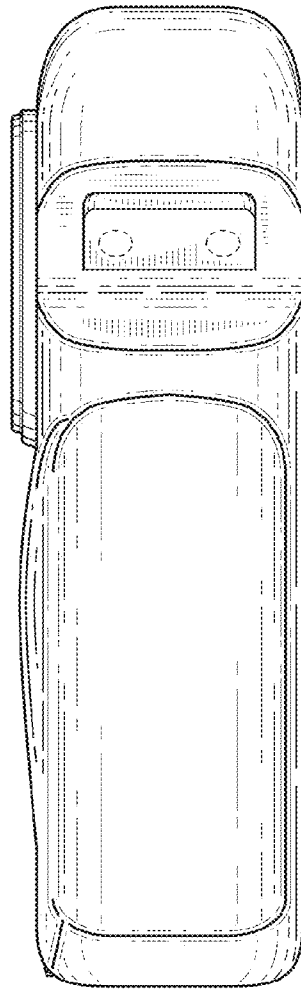


FIG. 5

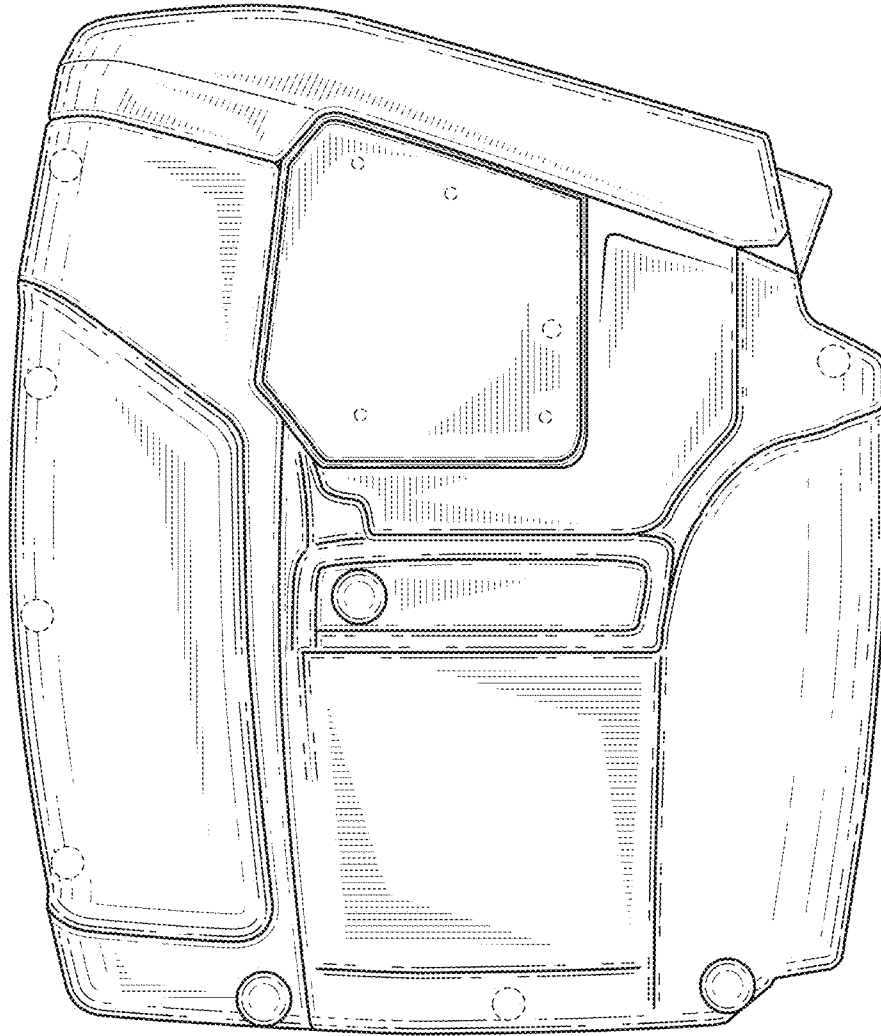


FIG. 4

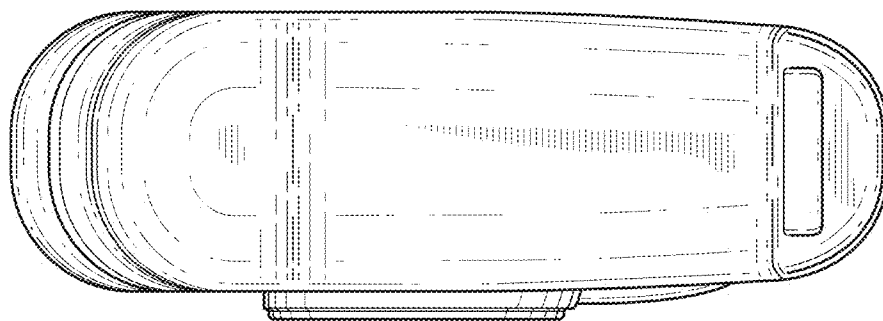


FIG. 6

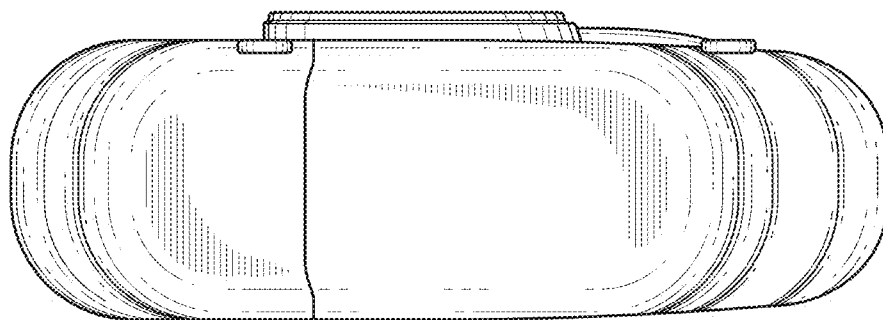


FIG. 7