



US00D863917S

(12) **United States Design Patent**
Yang

(10) **Patent No.:** **US D863,917 S**

(45) **Date of Patent:** **** Oct. 22, 2019**

- (54) **ELECTRIC CIRCULAR SAW**
- (71) Applicant: **JIANGSU HEHUI POWER TOOLS CO., LTD.**, Qidong (CN)
- (72) Inventor: **Xiaofei Yang**, Qidong (CN)
- (73) Assignee: **Jiangsu Hehui Power Tools Co., Ltd.**, Qidong (CN)
- (**) Term: **15 Years**
- (21) Appl. No.: **29/661,293**
- (22) Filed: **Aug. 27, 2018**

- D703,508 S * 4/2014 Kawase D8/66
- D710,172 S * 8/2014 Tschopp D8/66
- D713,702 S * 9/2014 Perez D8/66
- D731,869 S * 6/2015 Hoggarth D8/66
- D814,899 S * 4/2018 Suzuki D8/66

* cited by examiner

Primary Examiner — Austin Murphy

(57) **CLAIM**

The ornamental design for an electric circular saw, as shown and described.

DESCRIPTION

FIG. 1 is a top-down perspective view of an electric circular saw showing my new design;
 FIG. 2 is a bottom-up perspective view thereof;
 FIG. 3 is a front side elevation view thereof;
 FIG. 4 is a rear side elevation view thereof;
 FIG. 5 is a left side elevation view thereof;
 FIG. 6 is a right side elevation view thereof;
 FIG. 7 is a top plan view thereof;
 FIG. 8 is a bottom plan view thereof;
 FIG. 9 is a first partially enlarged view of FIG. 1;
 FIG. 10 is a second partially enlarged view of FIG. 1;
 FIG. 11 is a third partially enlarged view of FIG. 1;
 FIG. 12 is a first partially enlarged view of FIG. 3;
 FIG. 13 is a second partially enlarged view of FIG. 3;
 FIG. 14 is a first partially enlarged view of FIG. 5;
 FIG. 15 is a second partially enlarged view of FIG. 5;
 FIG. 16 is a partially enlarged view of FIG. 6;
 FIG. 17 is a partially enlarged view of FIG. 7; and
 FIG. 18 is a partially enlarged view of FIG. 8.

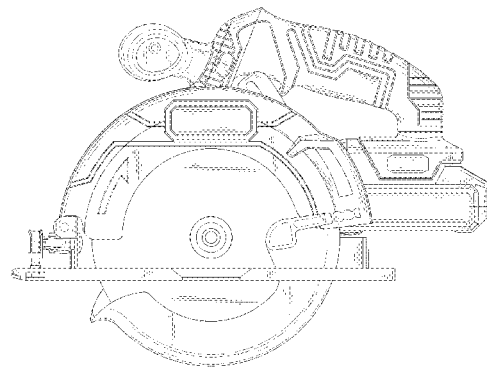
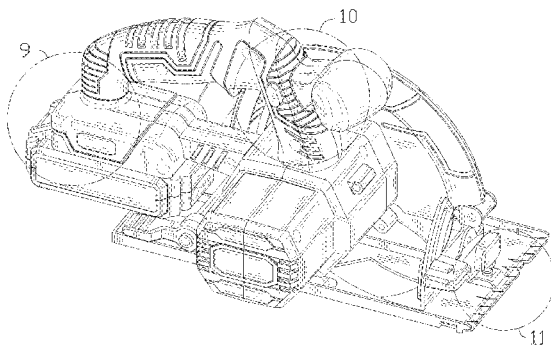
Broken lines depict portions of the electric circular saw that form no part of the claimed design. Dot-dash broken lines depict boundaries of the partially enlarged parts of the corresponding figures that form no part of the claimed design.

- (30) **Foreign Application Priority Data**
- May 30, 2018 (CN) 2018 3 0264363
- (51) **LOC (12) CL.** **08-03**
- (52) **U.S. CL.**
- USPC **D8/66**
- (58) **Field of Classification Search**
- USPC D8/69, 68, 67, 66, 64, 61, 70; 83/698.41,
83/747, 166.3, 374, 373, 375, 376, 391,
83/377, 390, 388, 389; 125/13.01;
144/218
- CPC B27B 9/00; B27B 9/02; B27B 5/02; B27B
5/18; B27B 33/08; B28D 1/04; B28D
1/045; B23D 45/00
- See application file for complete search history.

(56) **References Cited**
U.S. PATENT DOCUMENTS

- D427,874 S * 7/2000 Hayakawa D8/66
- D502,073 S * 2/2005 Andriolo D8/66
- D567,612 S * 4/2008 Wright D8/66
- D631,719 S * 2/2011 Aglassinger D8/66
- D654,340 S * 2/2012 Kawase D8/66
- D660,121 S * 5/2012 Valk D8/66
- D703,019 S * 4/2014 Faile, Jr. D8/66

1 Claim, 18 Drawing Sheets



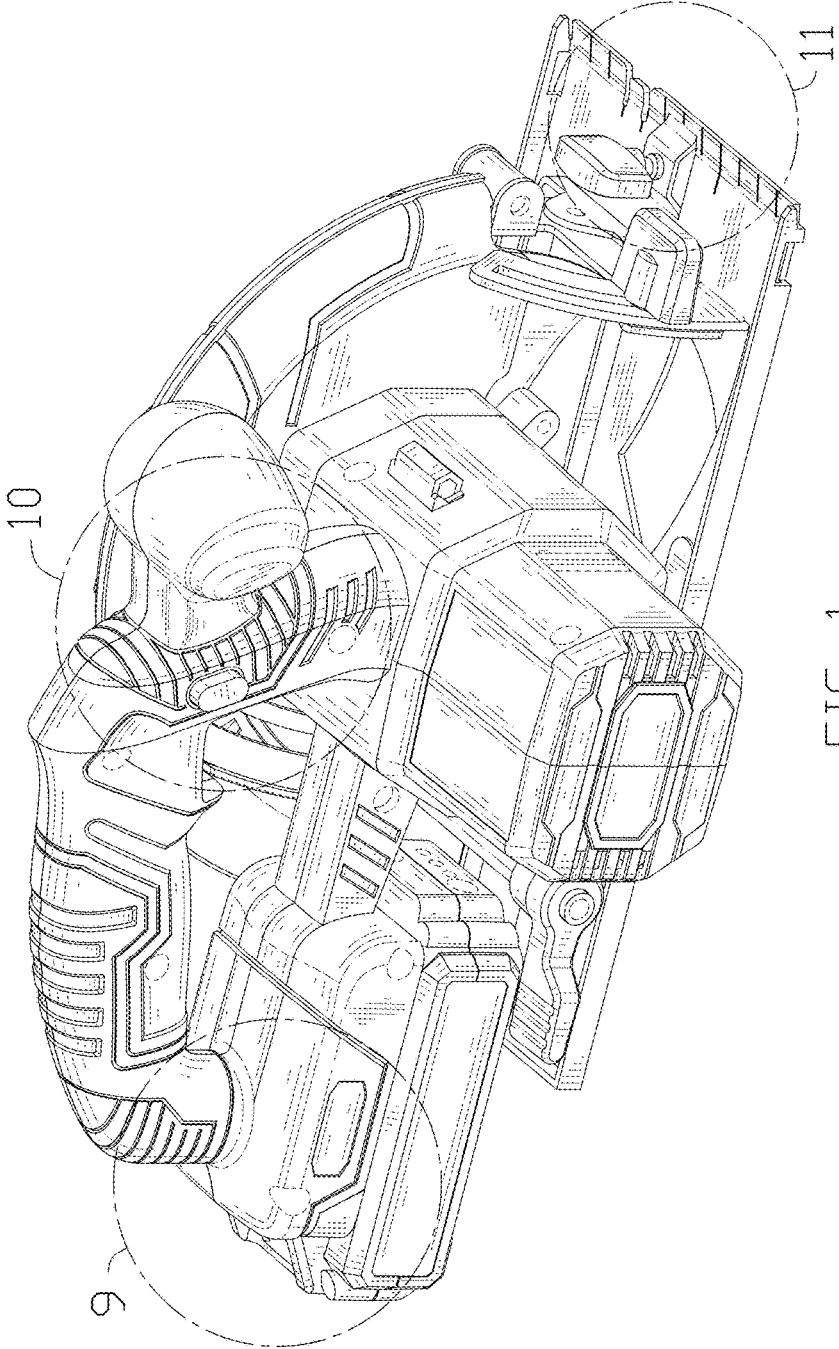


FIG. 1

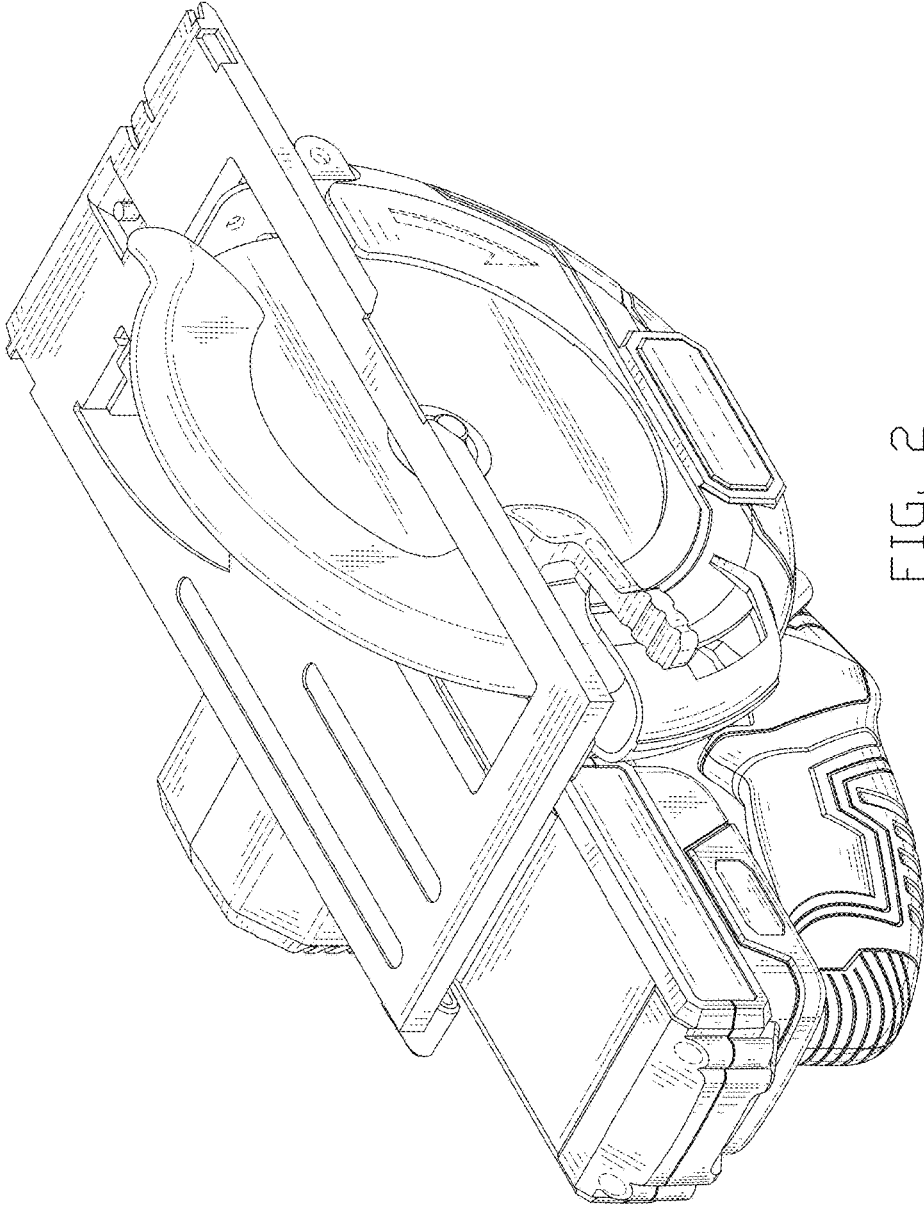


FIG. 2

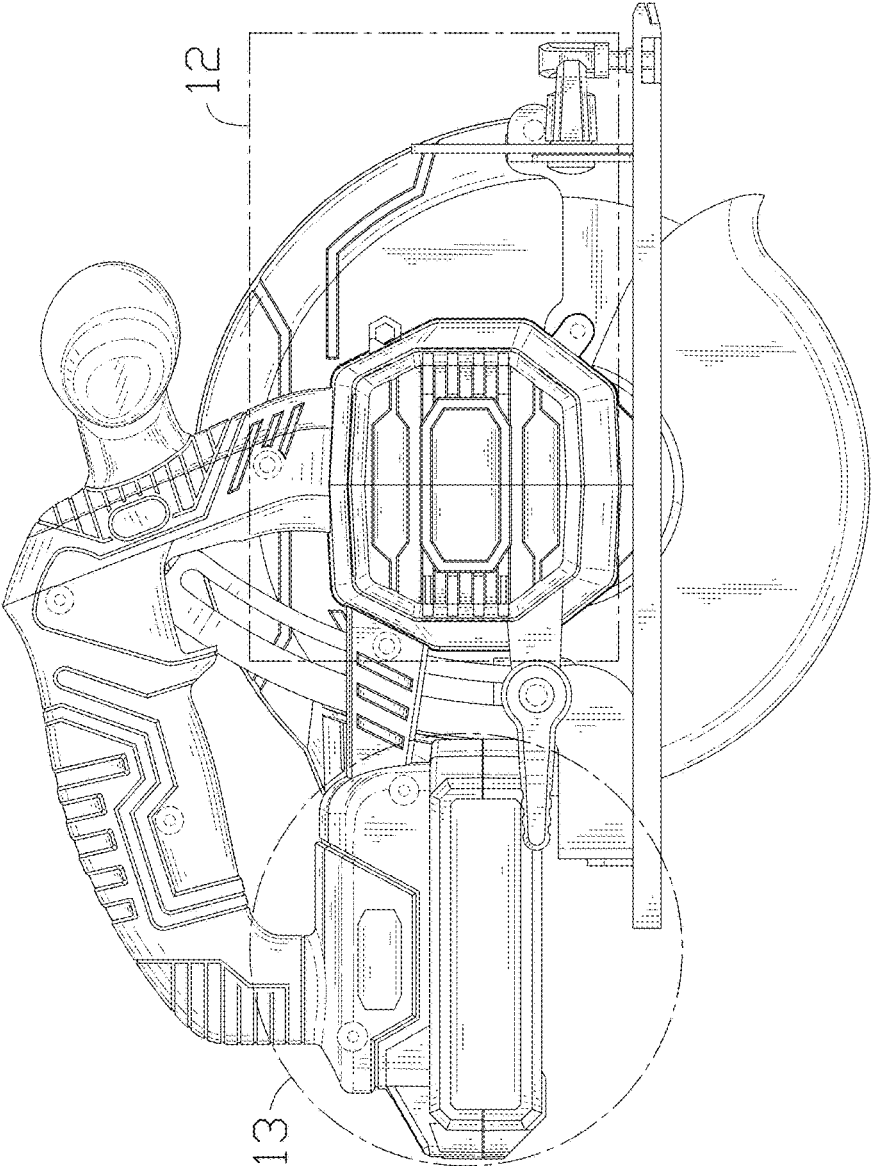


FIG. 3

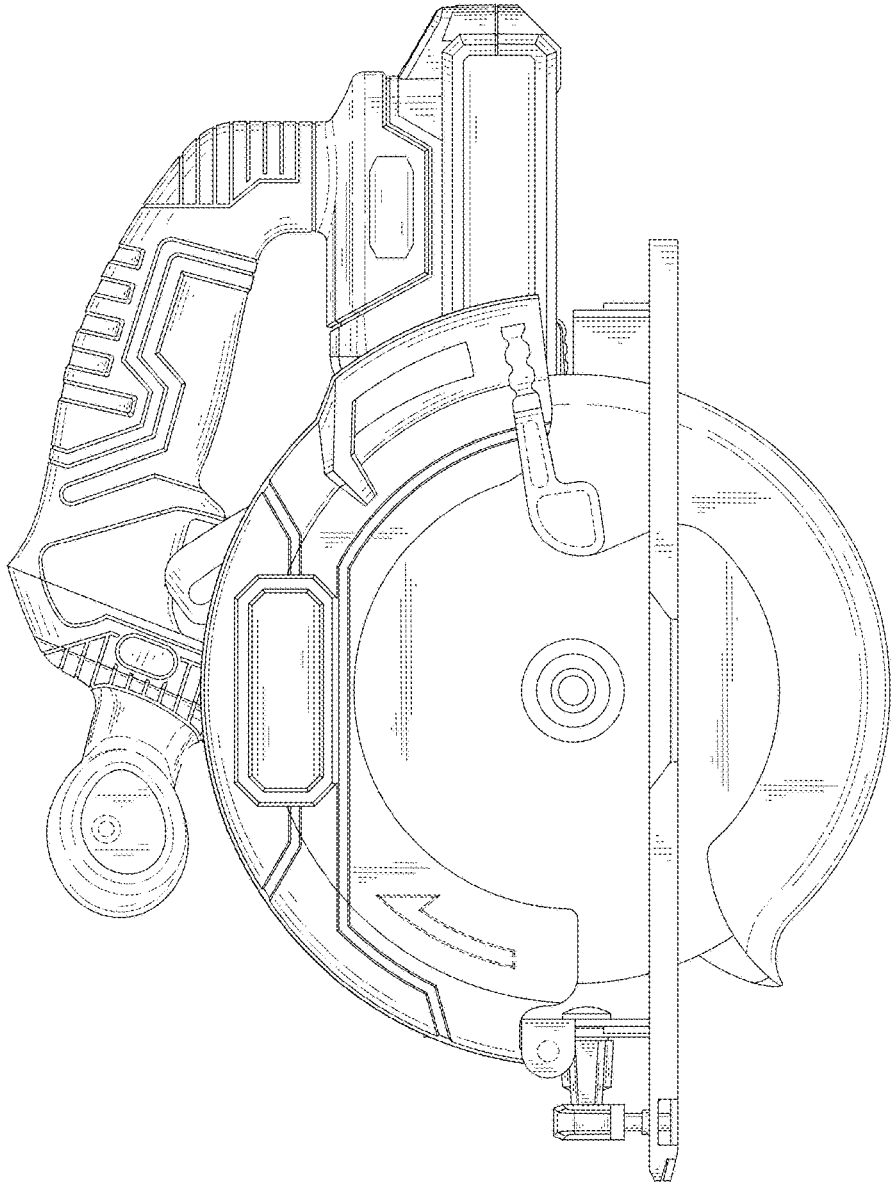


FIG. 4

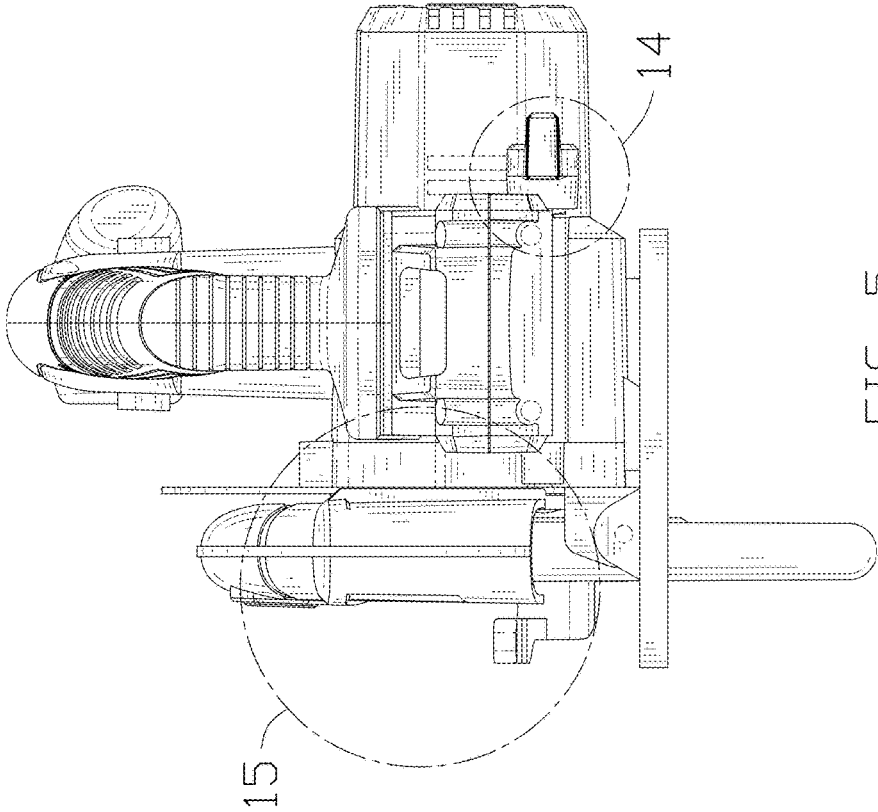


FIG. 5

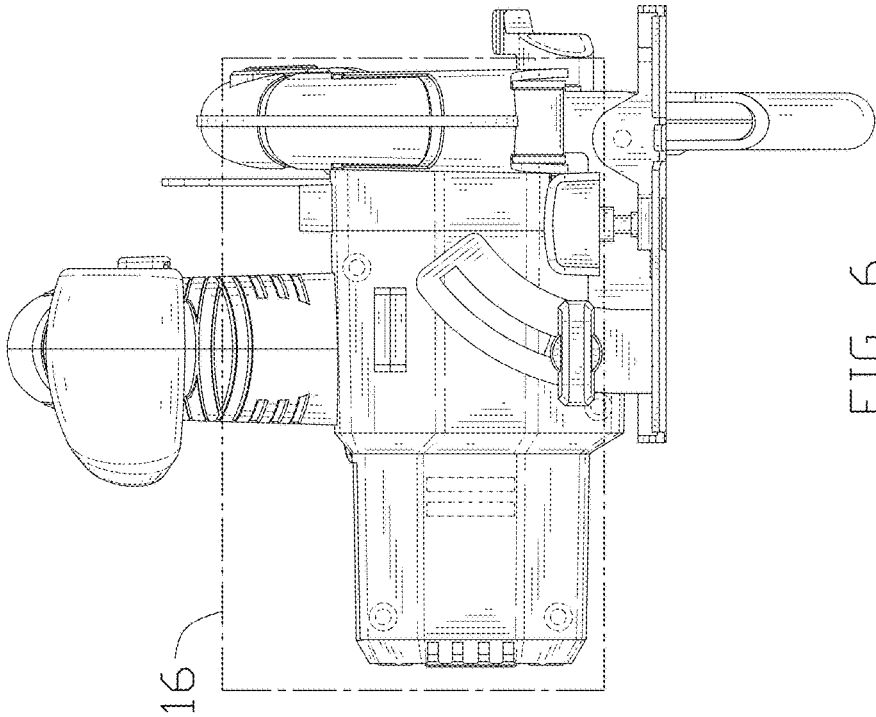


FIG. 6

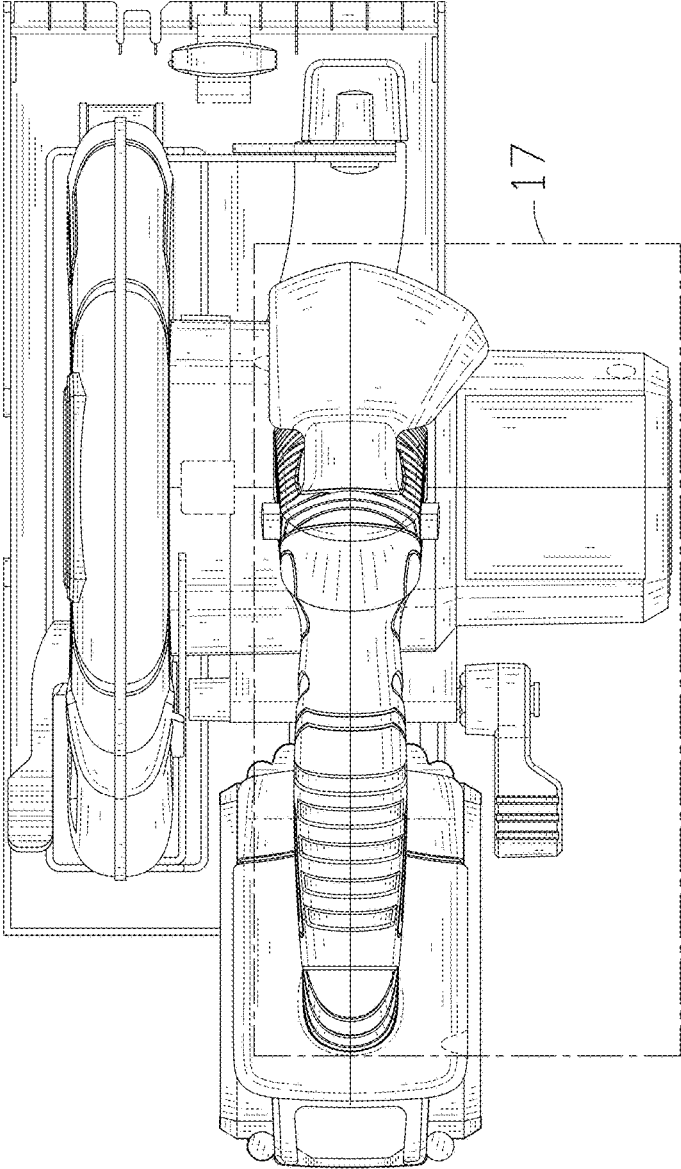


FIG. 7

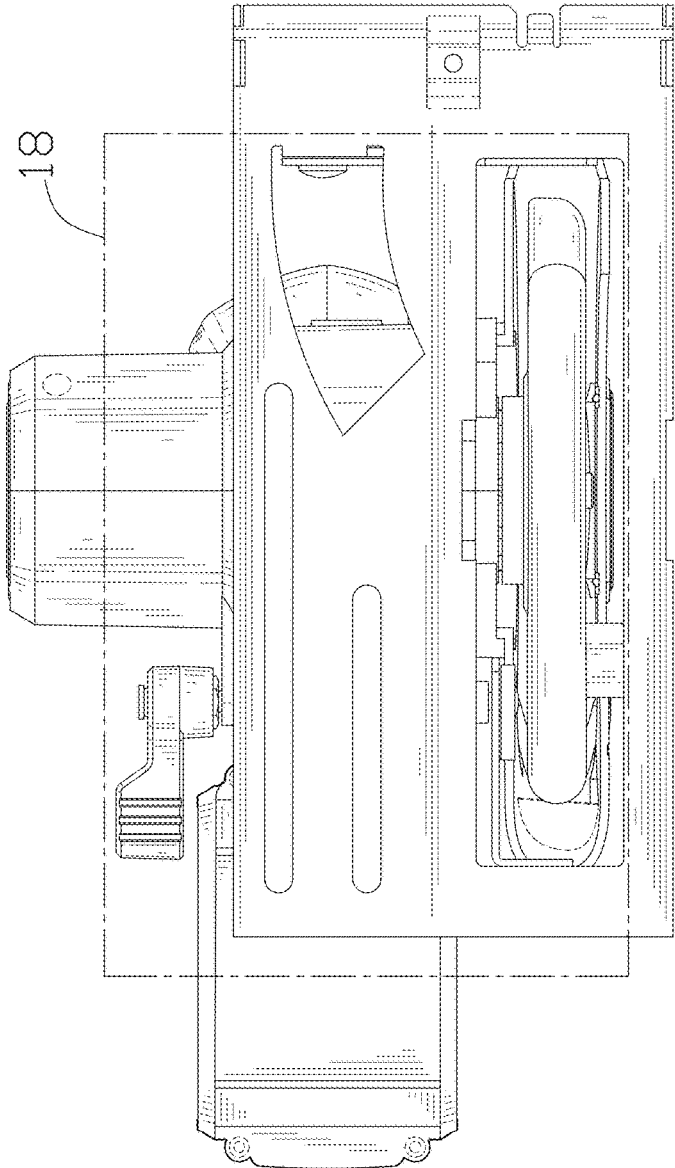


FIG. 8

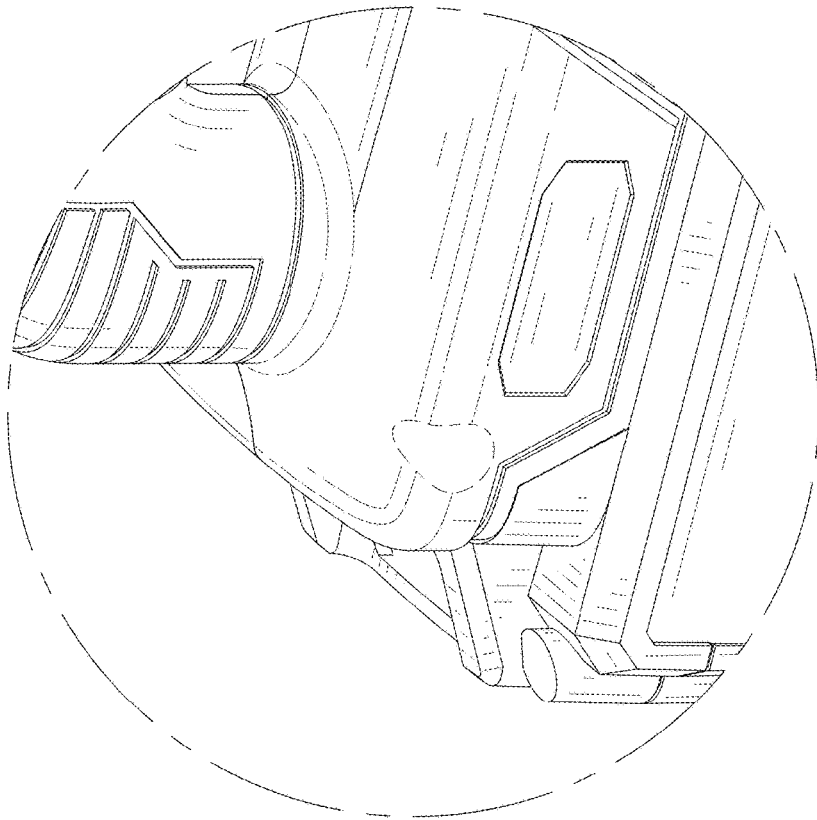


FIG. 9

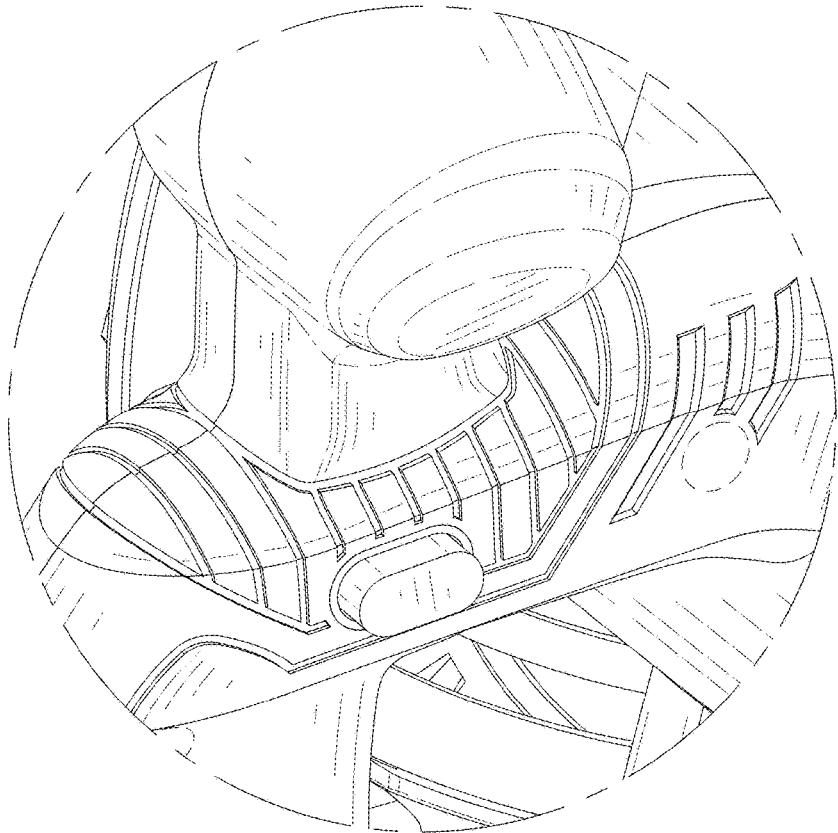


FIG. 10

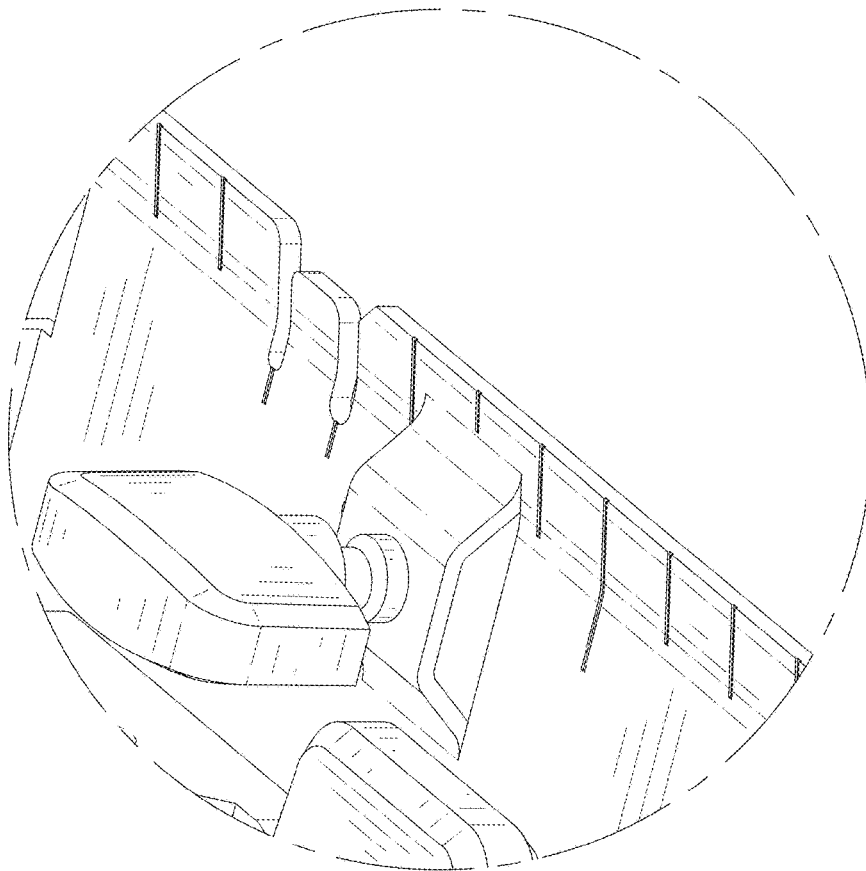


FIG. 11

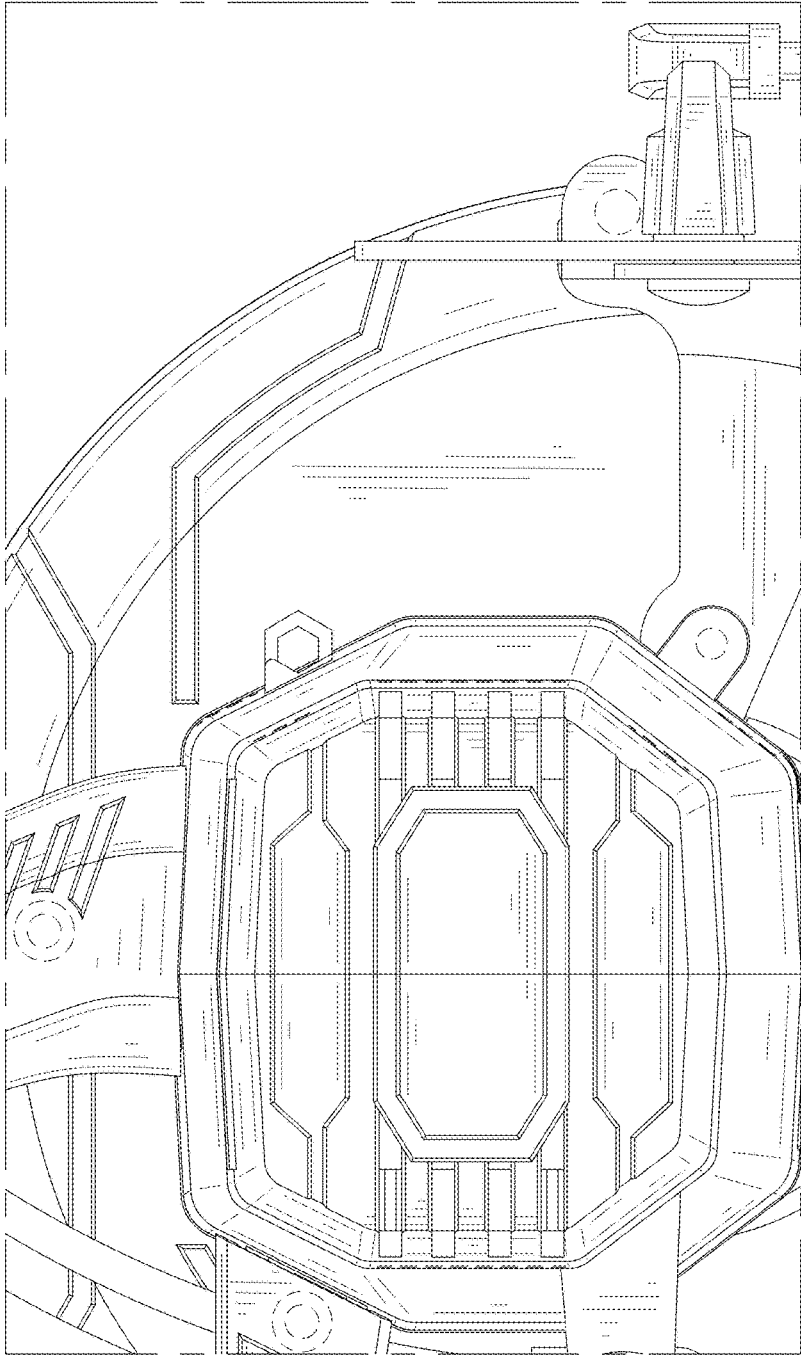


FIG. 12

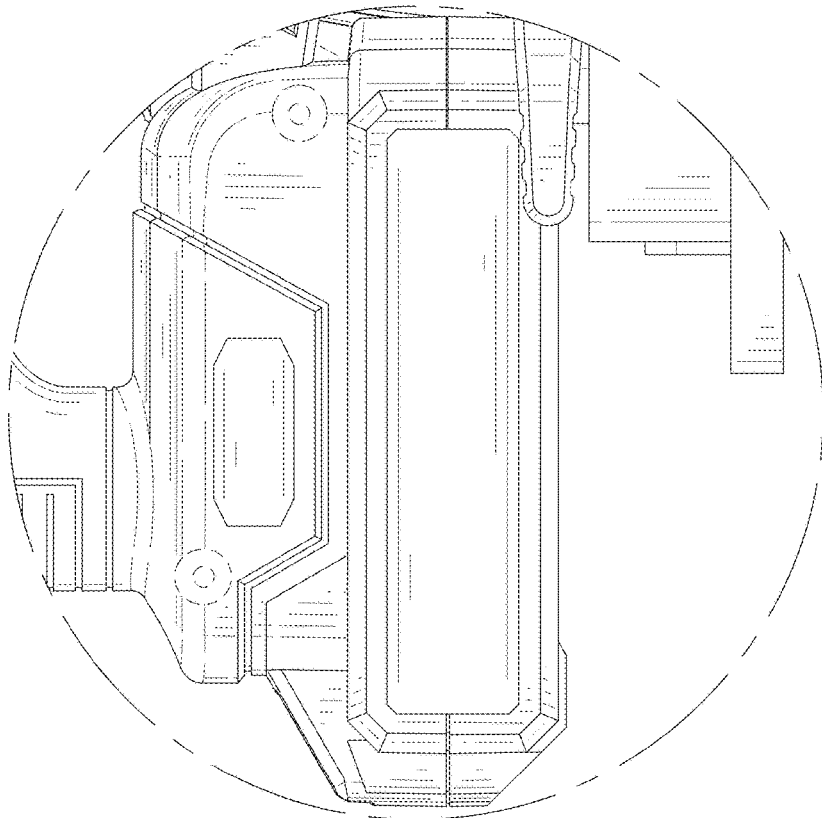


FIG. 13

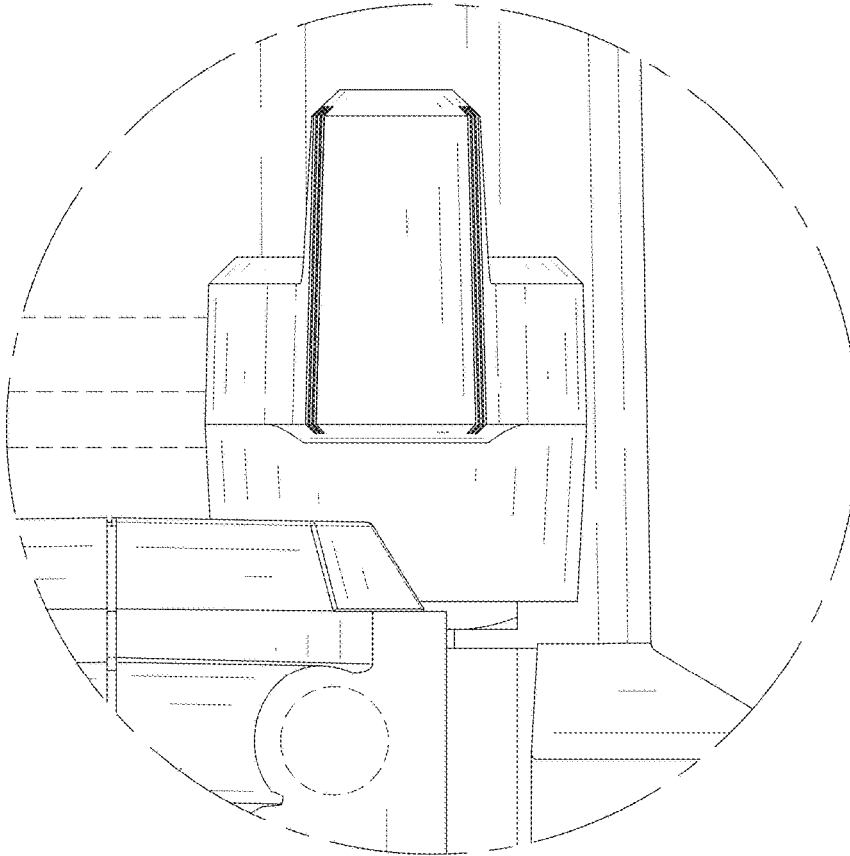


FIG. 14

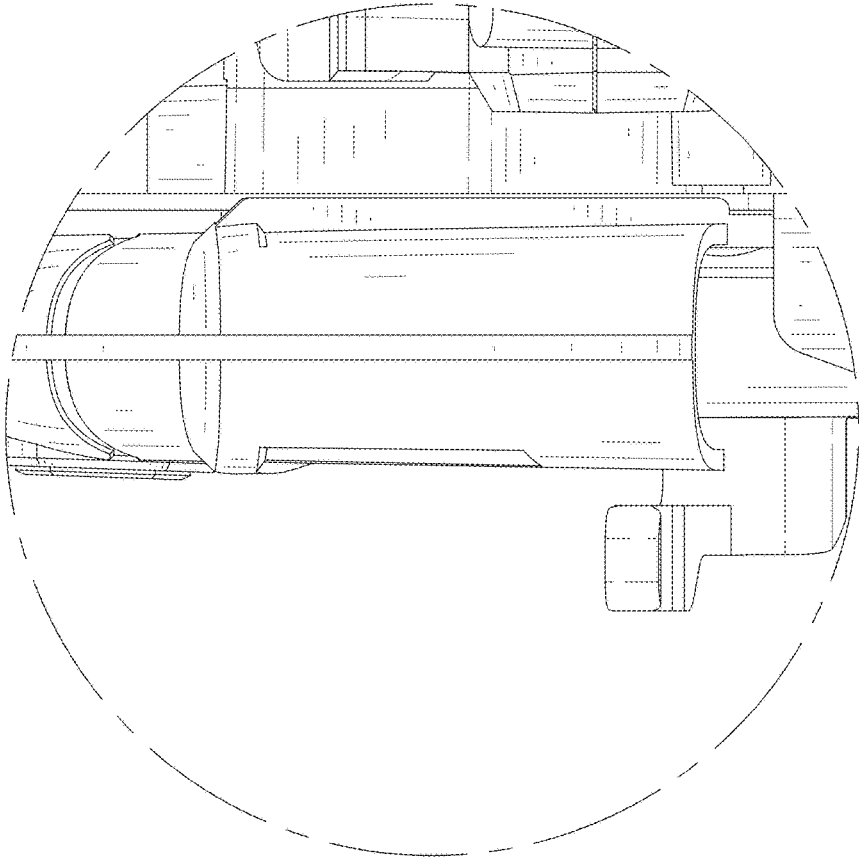


FIG. 15

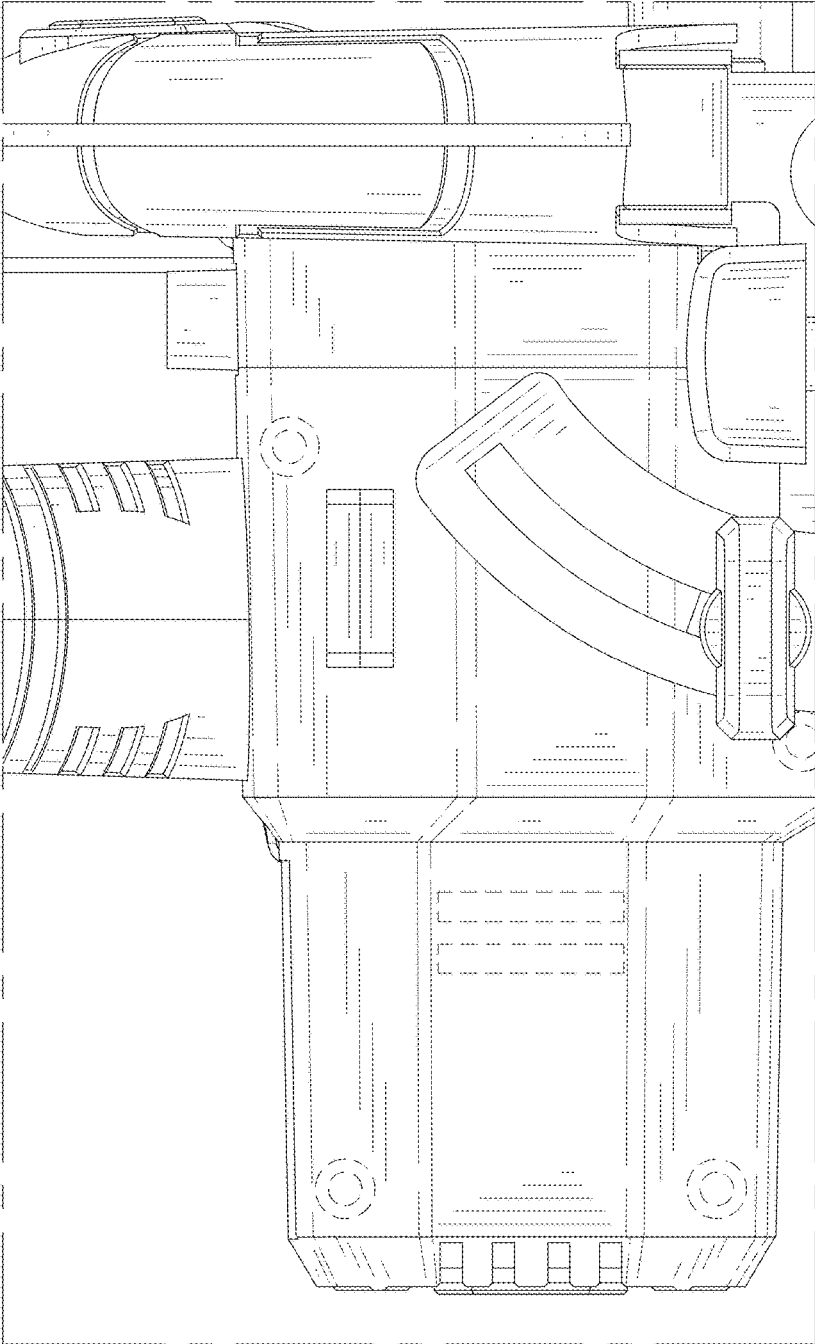


FIG. 16

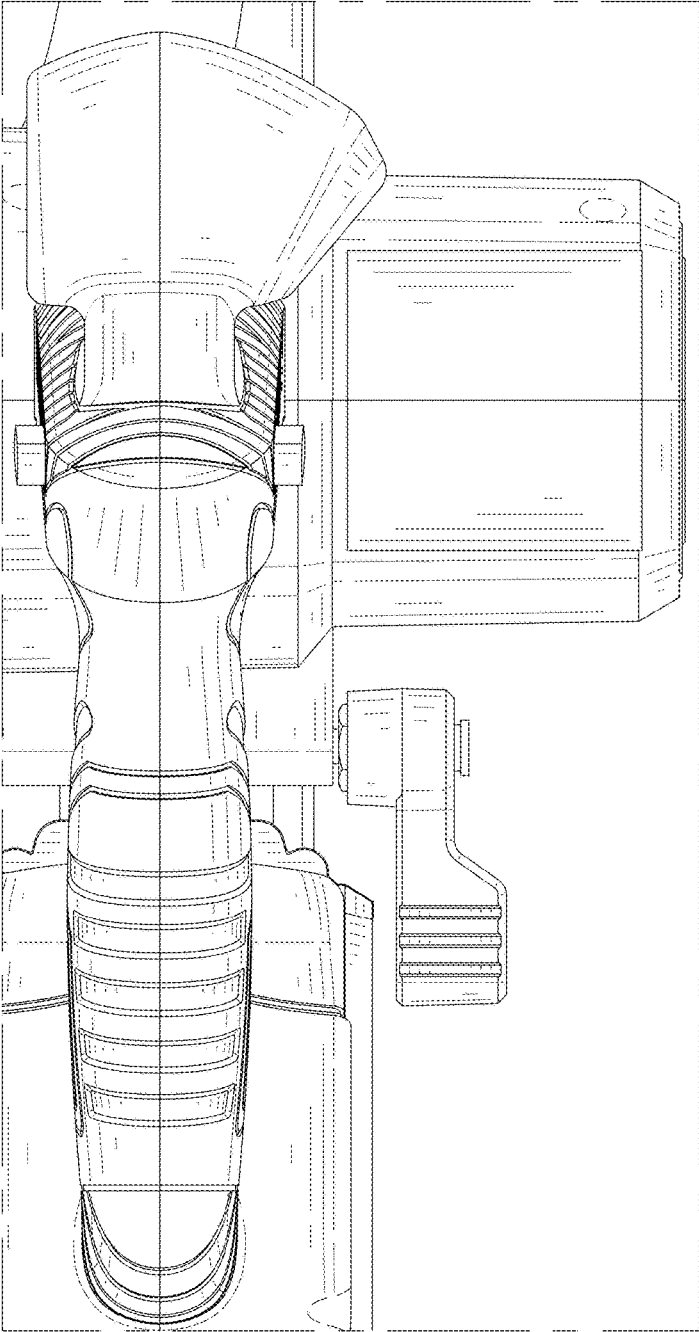


FIG. 17

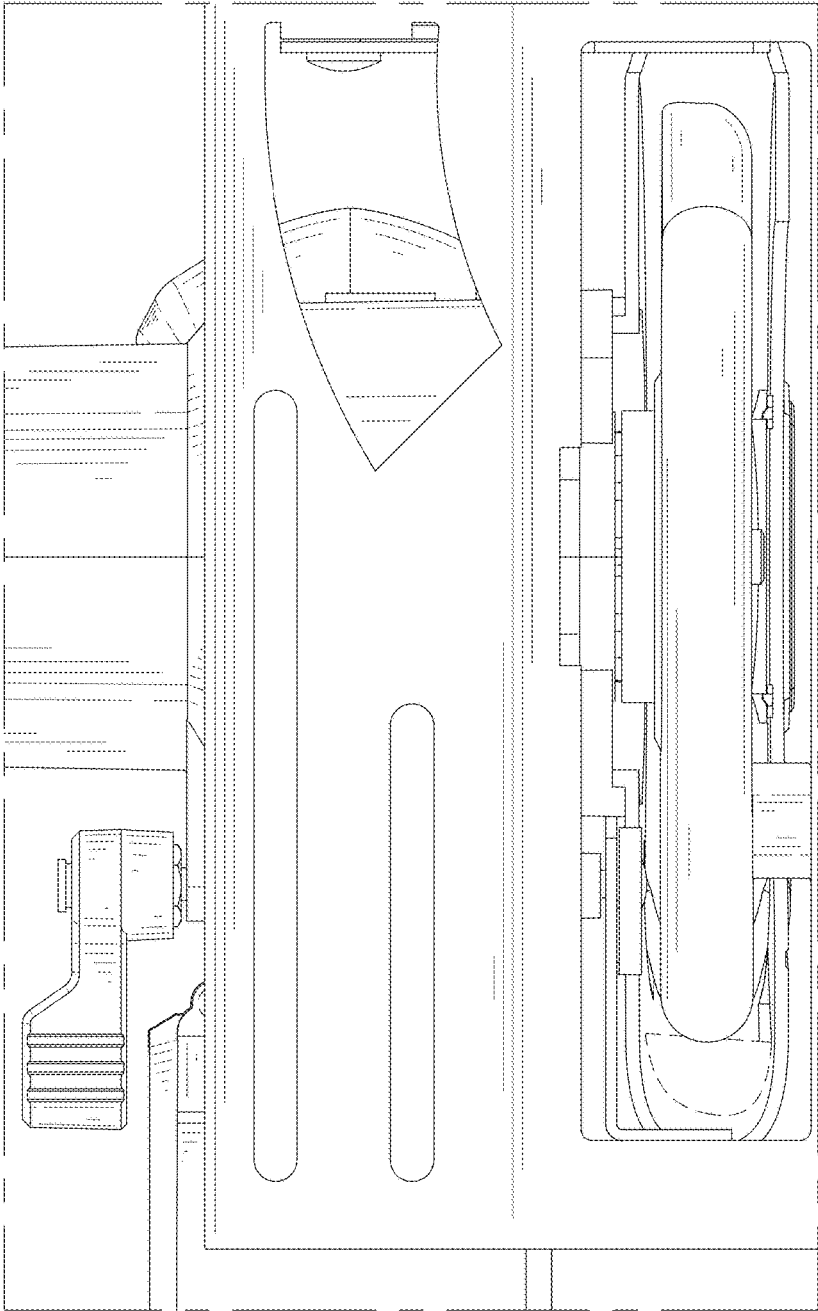


FIG. 18