



US00D699683S

(12) **United States Design Patent**  
**Yoshisuji**

(10) **Patent No.:** **US D699,683 S**

(45) **Date of Patent:** **\*\* Feb. 18, 2014**

(54) **ELECTRIC CONNECTOR**

- (71) Applicant: **Dai-Ichi Seiko Co., Ltd.**, Kyoto (JP)
- (72) Inventor: **Takashi Yoshisuji**, Tokyo (JP)
- (73) Assignee: **Dai-Ichi Seiko Co., Ltd.**, Kyoto-shi (JP)
- (\*\*) Term: **14 Years**
- (21) Appl. No.: **29/454,268**
- (22) Filed: **May 8, 2013**

(30) **Foreign Application Priority Data**

Nov. 19, 2012 (JP) ..... 2012-028232

(51) **LOC (10) CL.** ..... **13-03**

(52) **U.S. Cl.**  
USPC ..... **D13/147**

(58) **Field of Classification Search**  
USPC ..... D13/147, 154, 184, 199; 439/79, 108,  
439/350, 353, 357, 378, 476.1, 489, 587,  
439/594, 595, 598, 607.01, 607.04, 607.05,  
439/607.17, 607.25, 607.34, 607.41,  
439/607.53, 656, 660, 668, 680, 711, 745,  
439/752

See application file for complete search history.

(56) **References Cited**

**U.S. PATENT DOCUMENTS**

D489,335	S	*	5/2004	Ko	.....	D13/147
D530,674	S	*	10/2006	Ko	.....	D13/147
D583,765	S	*	12/2008	Chiang	.....	D13/147
D598,862	S	*	8/2009	Chen	.....	D13/147
D602,439	S	*	10/2009	Yu et al.	.....	D13/147
D626,077	S	*	10/2010	Huang	.....	D13/147
2012/0238125	A1		9/2012	Yoshisuji et al.		

**FOREIGN PATENT DOCUMENTS**

JP	S-1085006	9/2000
JP	S-1196337	2/2004
JP	S-1277615	7/2006
JP	S-1385596	4/2010

**OTHER PUBLICATIONS**

- U.S. Appl. No. 29/402,240, filed Sep. 22, 2011, Yoshisuji.
- U.S. Appl. No. 29/402,237, filed Sep. 22, 2011, Yoshisuji.
- U.S. Appl. No. 29/402,872, filed Sep. 28, 2011, Yoshisuji.
- U.S. Appl. No. 13/595,147, filed Aug. 27, 2012, Yoshisuji, et al.
- U.S. Appl. No. 29/447,042, filed Feb. 28, 2013, Yoshisuji.
- U.S. Appl. No. 29/454,279, filed May 8, 2013, Yoshisuji.
- U.S. Appl. No. 29/457,234, filed Jun. 7, 2013, Yoshisuji.
- U.S. Appl. No. 29/457,252, filed Jun. 7, 2013, Yoshisuji.

\* cited by examiner

*Primary Examiner* — Daniel Bui

(74) *Attorney, Agent, or Firm* — Oblon, Spivak, McClelland, Maier & Neustadt, L.L.P.

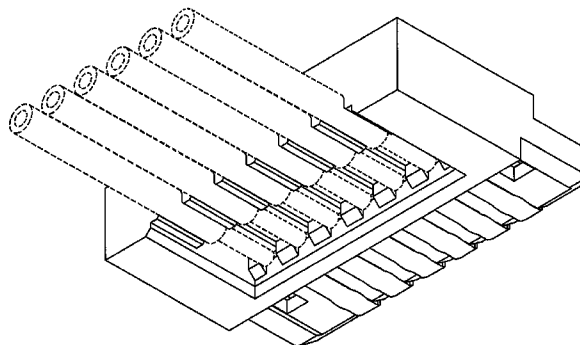
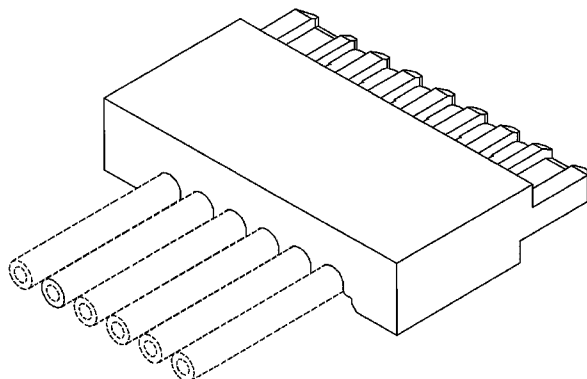
(57) **CLAIM**

The ornamental design for an electric connector, as shown and described.

**DESCRIPTION**

FIG. 1 is a rear, top, and left side perspective view of an electric connector of an embodiment showing my new design;  
 FIG. 2 is a rear, bottom, and left side perspective view thereof;  
 FIG. 3 is a top plan view thereof;  
 FIG. 4 is a front elevational view thereof;  
 FIG. 5 is a bottom plan view thereof;  
 FIG. 6 is a rear elevational view thereof;  
 FIG. 7 is a right side elevational view thereof;  
 FIG. 8 is a rear, top, and left side perspective view thereof in use condition; and,  
 FIG. 9 is a rear, bottom, and left side perspective view thereof in use condition.  
 The broken line in the figure drawing views is included for the purpose of illustrating environment and forms no part of the claimed design.

**1 Claim, 9 Drawing Sheets**



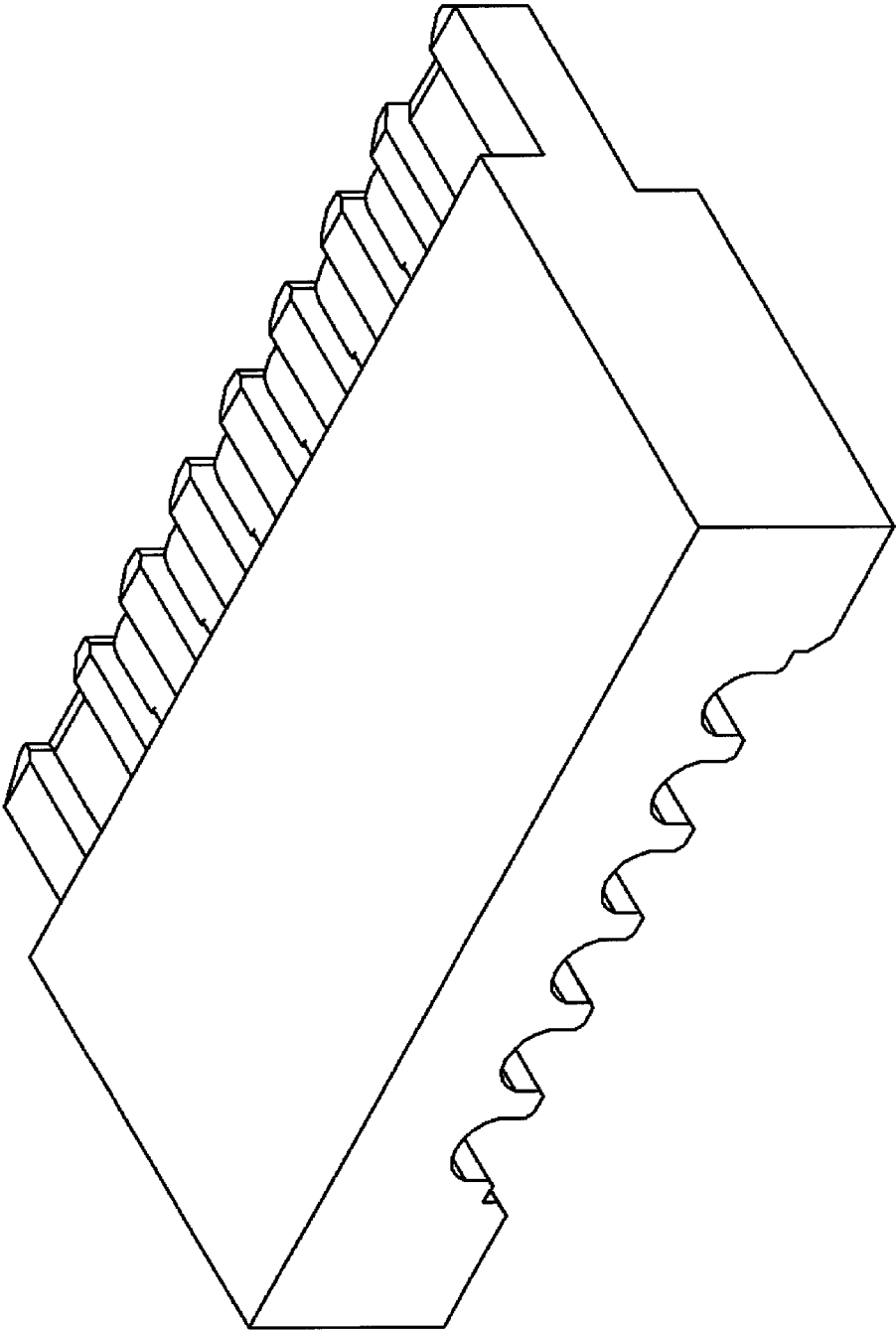


FIG.1

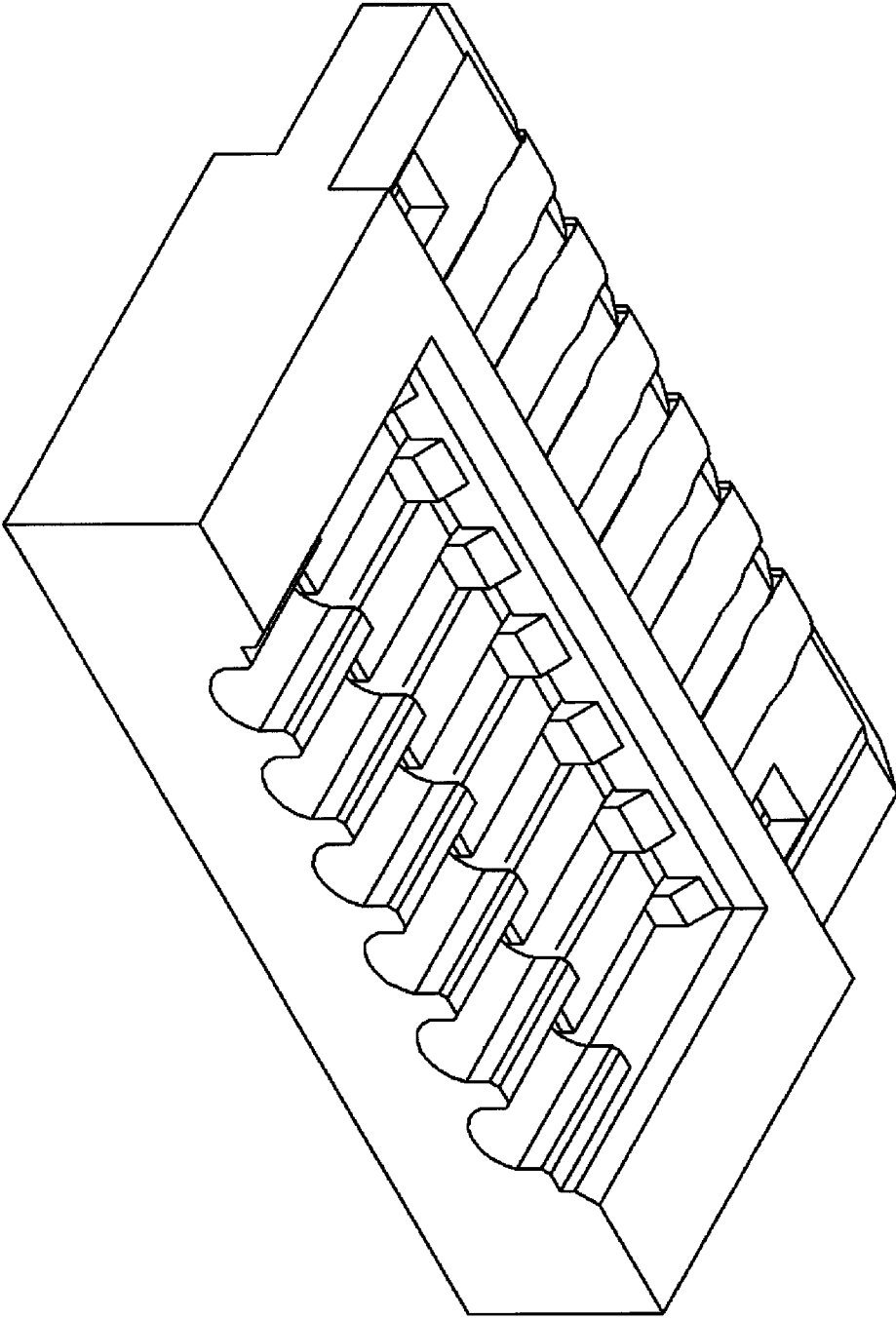


FIG.2

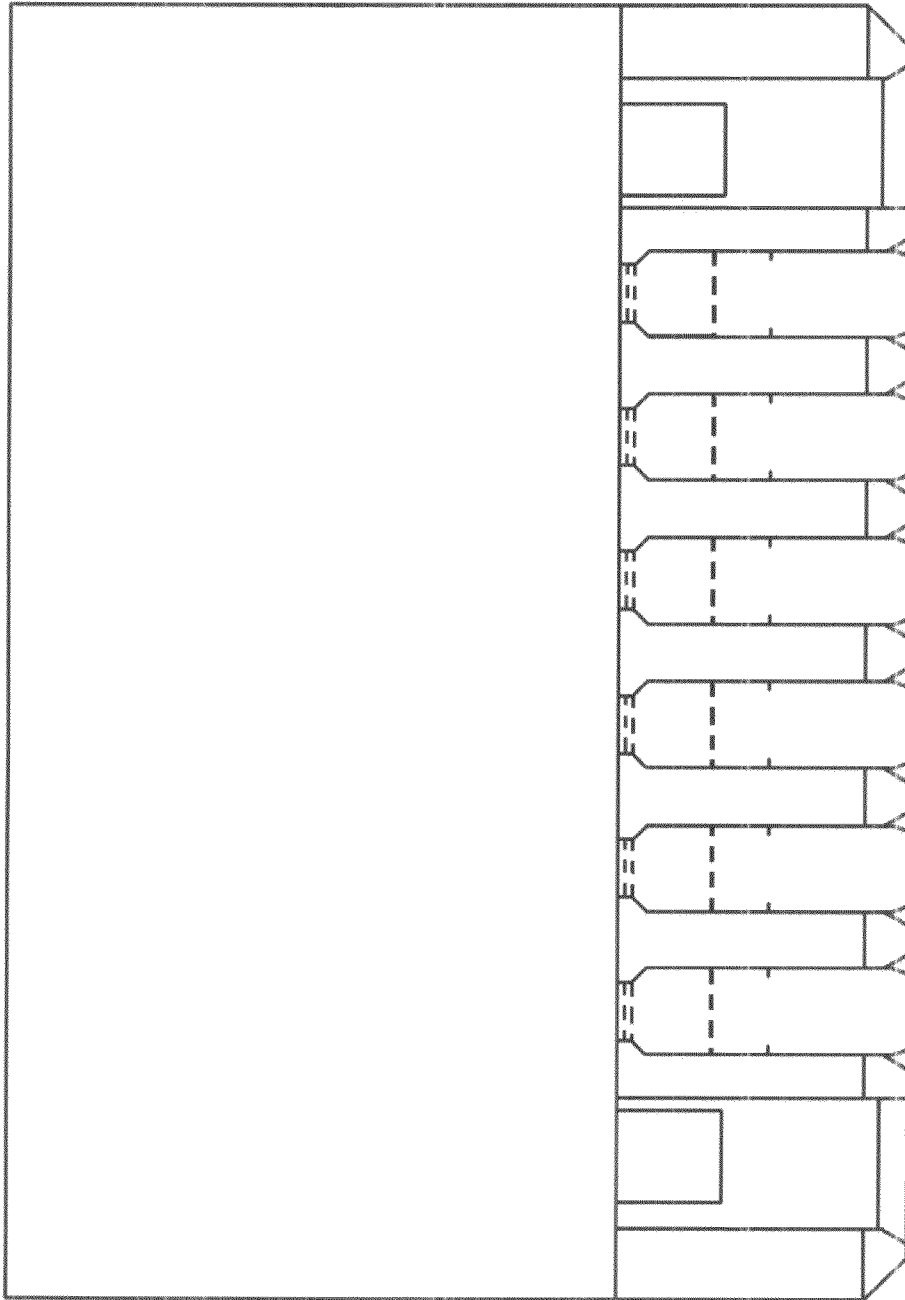


FIG.3

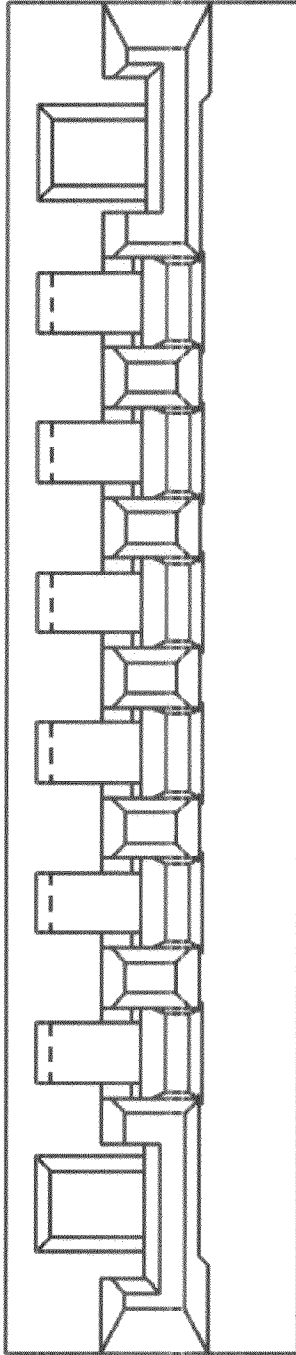


FIG.4

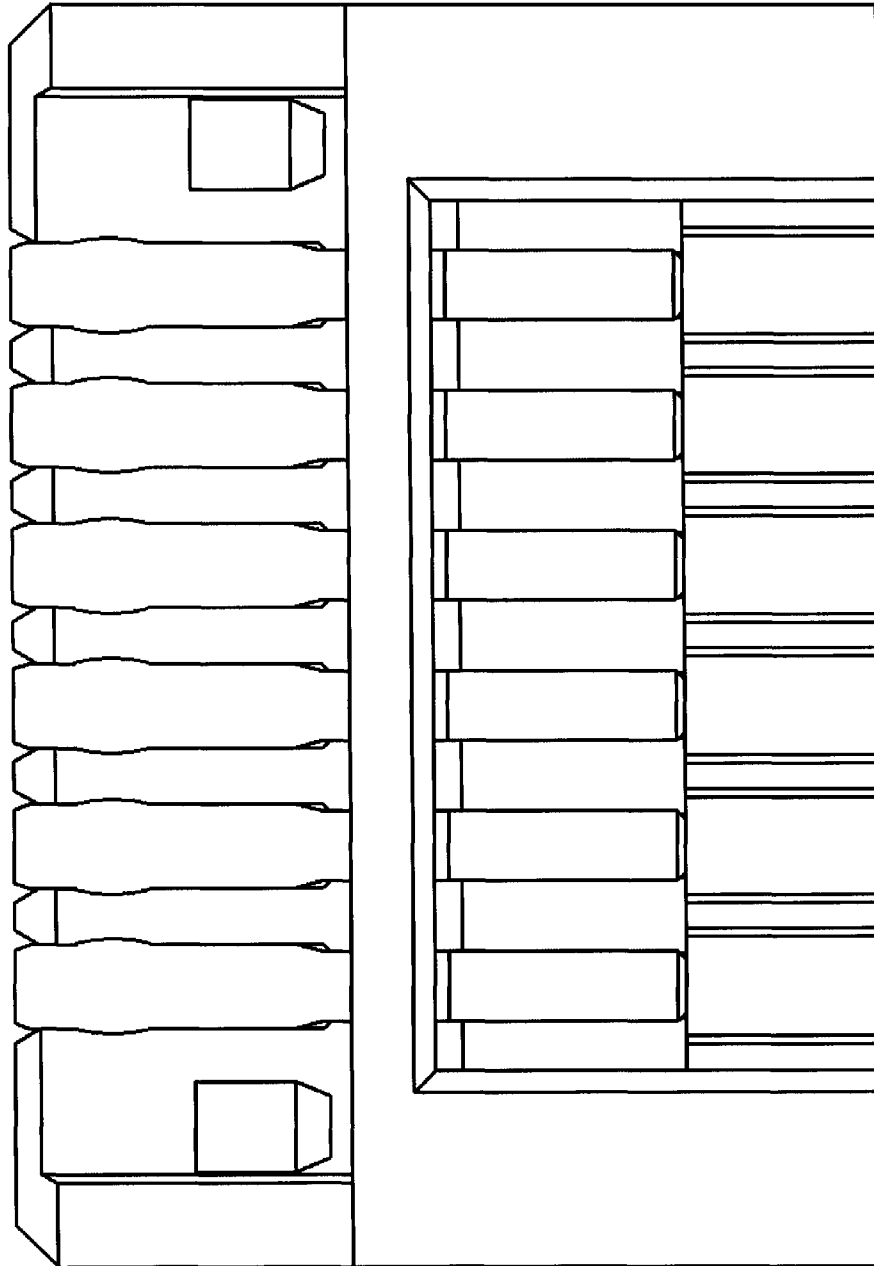


FIG. 5

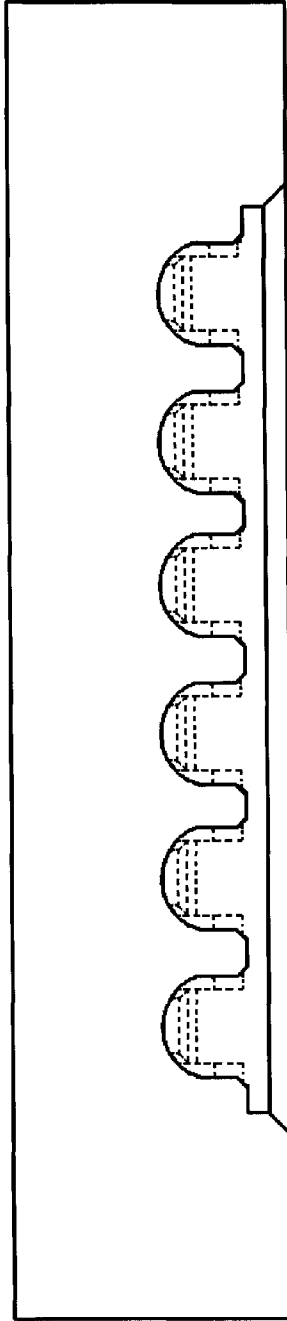


FIG.6

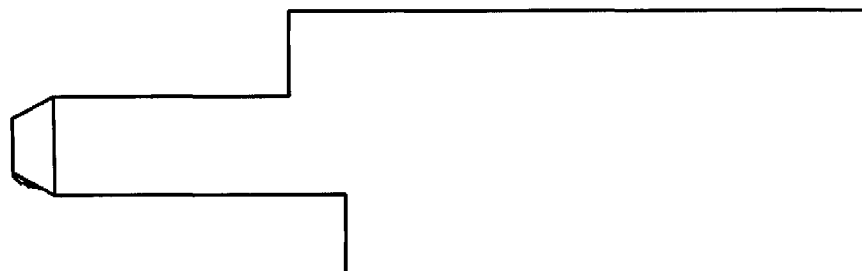


FIG.7



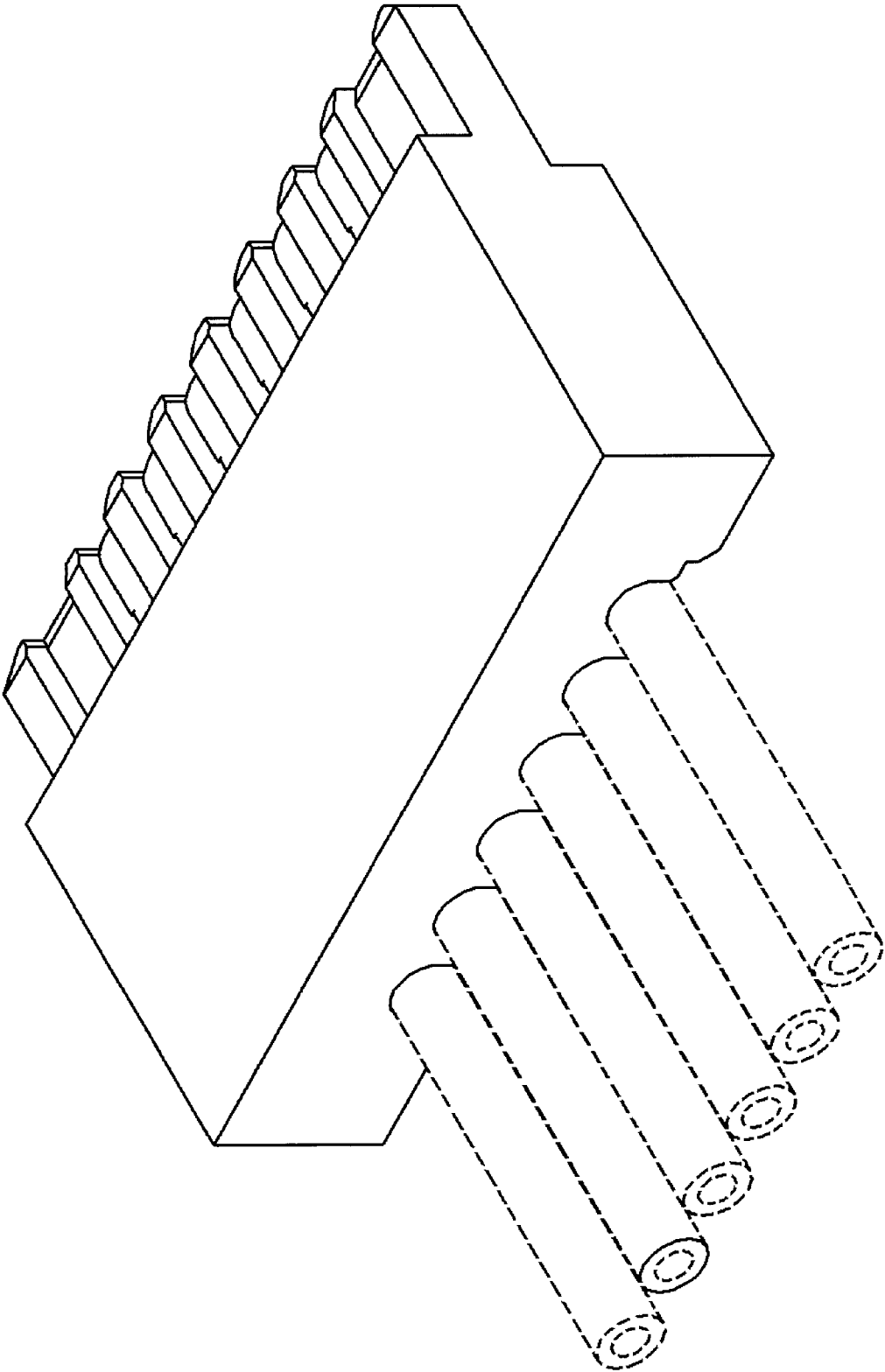


FIG.8

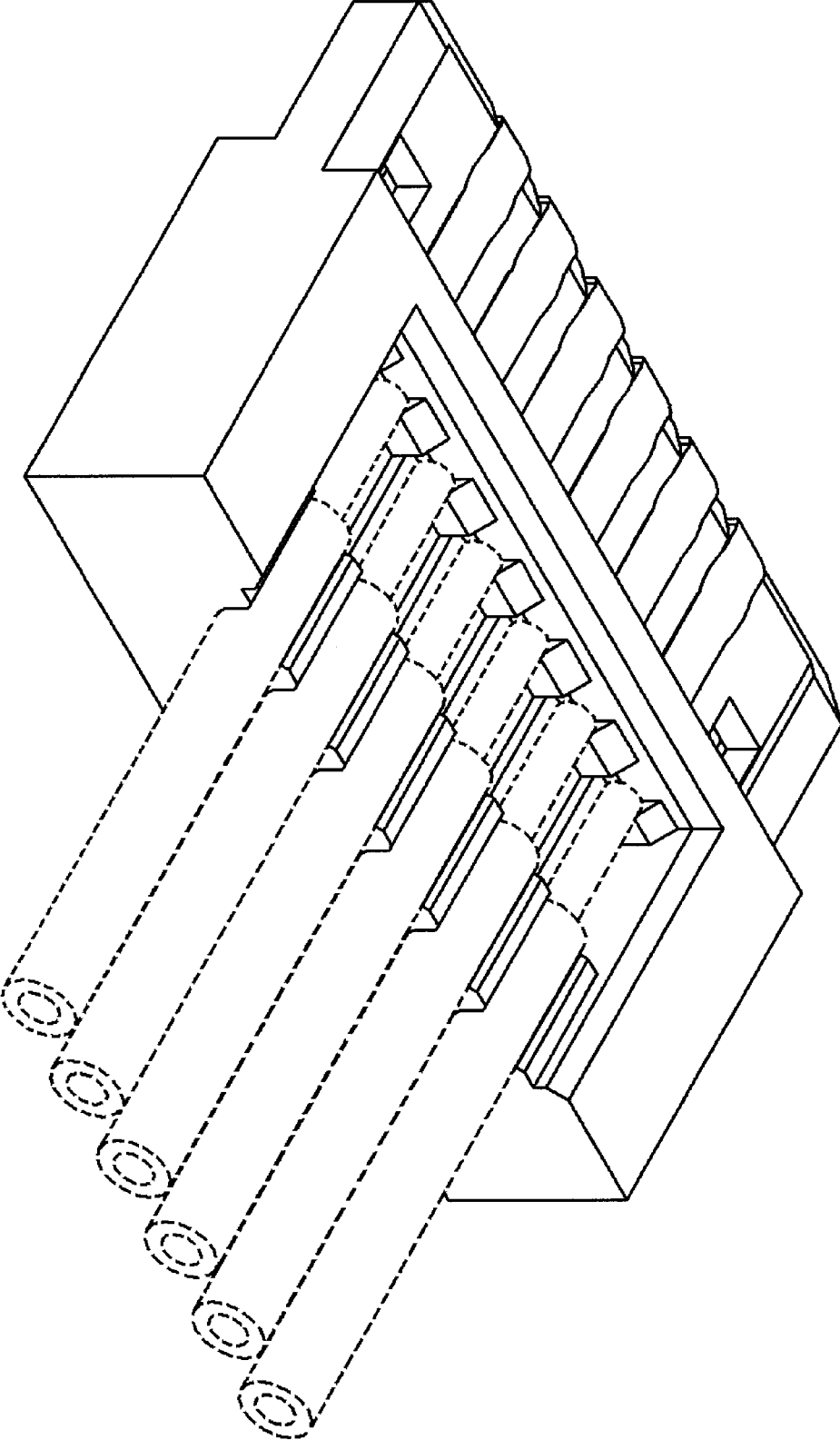


FIG.9