



US00D990678S

(12) **United States Design Patent**
Fox et al.

(10) **Patent No.:** **US D990,678 S**
(45) **Date of Patent:** **** Jun. 27, 2023**

- (54) **CRYOTHERAPY DEVICE**
- (71) Applicant: **Arrinex, Inc.**, Redwood City, CA (US)
- (72) Inventors: **William Jason Fox**, San Mateo, CA (US); **Vahid Saadat**, Atherton, CA (US); **David Moosavi**, Redwood City, CA (US); **Sherwin Llamido**, Union City, CA (US); **Roman Turovskiy**, San Francisco, CA (US); **William Gould**, Santa Fe, NM (US); **Matt Allison Herron**, Hayward, CA (US)
- (73) Assignee: **Arrinex, Inc.**, Redwood City, CA (US)
- (**) Term: **15 Years**
- (21) Appl. No.: **29/866,980**
- (22) Filed: **Oct. 4, 2022**

- D389,573 S 1/1998 Harman
- D392,040 S 3/1998 Harman
- D418,223 S 12/1999 Phipps
- D436,165 S 1/2001 Donaldson
- D478,986 S 8/2003 Johnston
- (Continued)

OTHER PUBLICATIONS

Cryotherapy Gun System, [site visited Mar. 22, 2022]. Available from Internet. URL: <https://www.haydenmedical.com/product/cryotherapy-system-mgc-200/> (Year: 2022).*
(Continued)

Primary Examiner — T Chase Nelson
Assistant Examiner — Kelly L Gross
(74) *Attorney, Agent, or Firm* — McDonnell Boehnen Hulbert & Berghoff LLP

Related U.S. Application Data

- (62) Division of application No. 29/697,558, filed on Jul. 9, 2019, now Pat. No. Des. 969,318.
- (51) **LOC (14) Cl.** **24-02**
- (52) **U.S. Cl.**
USPC **D24/133**
- (58) **Field of Classification Search**
USPC D24/112–114, 108, 130, 127, 187, 133, D24/134, 135, 136, 137, 138, 140, 144, D24/145, 146, 147, 107; D28/7; D8/8, D8/303, 68
CPC A61B 18/0218; A61B 18/02; A61B 2018/0231; A61B 2018/00452; A61M 35/003; A61M 35/00; A61M 2037/0007; A61M 2210/04
See application file for complete search history.

(57) **CLAIM**

The ornamental design for a cryotherapy device, as shown and described.

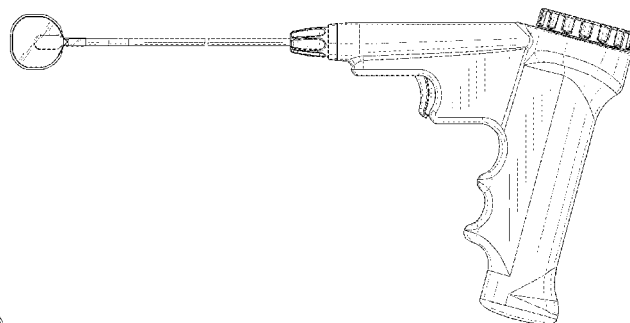
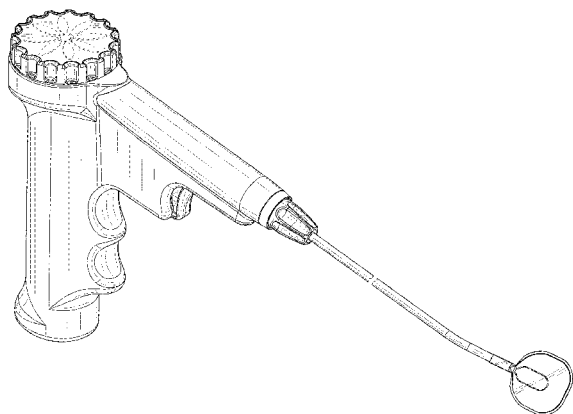
DESCRIPTION

FIG. 1 is a perspective view of a cryotherapy device of the present design;
FIG. 2 is a right side view thereof;
FIG. 3 is a left side view thereof;
FIG. 4 is a rear view thereof;
FIG. 5 is a front view thereof;
FIG. 6 is top view thereof; and,
FIG. 7 is bottom view thereof.
The portions of the drawings shown in broken lines represent environmental structure and form no part of the claimed design. The parallel, wavy lines shown in broken lines are symbolic breaks, and any portion of the cryotherapy device between the breakaways forms no part of the claimed design.

(56) **References Cited**
U.S. PATENT DOCUMENTS

- 4,400,168 A 8/1983 Buechel
- D329,291 S 9/1992 Wollman

1 Claim, 6 Drawing Sheets



(56)

References Cited

U.S. PATENT DOCUMENTS

D495,413 S 8/2004 Perry
 D536,444 S 2/2007 Bacher
 D536,445 S 2/2007 Bacher
 D536,446 S 2/2007 Doll
 D536,785 S 2/2007 Bacher
 D545,427 S 6/2007 Gibson
 D568,992 S 5/2008 Bacher
 D572,096 S 7/2008 van Swicten
 D578,644 S 10/2008 Shumer
 D604,847 S 11/2009 Sawalhe
 D627,066 S 11/2010 Romero
 D631,964 S 2/2011 Miles
 D636,872 S 4/2011 Marescaux
 D640,789 S 6/2011 Peine
 D650,073 S 12/2011 Pedersen
 D658,759 S 5/2012 Marescaux
 D698,921 S 2/2014 Koennecke
 D726,314 S 4/2015 Marquez
 D758,579 S 6/2016 Keckstein
 D785,173 S 4/2017 Oberkicher
 D790,295 S 6/2017 Tinius
 D793,186 S 8/2017 Tinius
 D799,038 S 10/2017 Chang
 D809,139 S 1/2018 Marsot
 D820,972 S 6/2018 Klever
 D830,551 S 10/2018 Bratbak
 D831,819 S 10/2018 Genender
 10,368,898 B2 8/2019 Brown
 10,376,262 B2 8/2019 Zemlok

D860,441 S 9/2019 Spycher
 D874,643 S 2/2020 Genender
 10,582,944 B2 3/2020 Netzel
 D893,709 S 8/2020 Girod
 D896,364 S 9/2020 Genender
 D902,403 S 11/2020 Marsot
 D911,521 S 2/2021 Swift
 D929,585 S 8/2021 Sharp
 11,116,594 B2 9/2021 Beardsley
 D945,613 S 3/2022 Holzer
 D946,753 S 3/2022 Swick
 D952,844 S 5/2022 Holzer
 D953,529 S 5/2022 Holzer
 D954,973 S 6/2022 Mack
 D967,408 S * 10/2022 Tanaka D24/112
 D969,317 S * 11/2022 Sun D24/133
 D969,318 S * 11/2022 Fox D24/133
 D969,620 S * 11/2022 Newell D10/47
 D977,629 S * 2/2023 Lackey D24/112
 2019/0021777 A1 1/2019 Varady
 2021/0007882 A1 1/2021 Kim
 2021/0378727 A1 12/2021 Goulko

OTHER PUBLICATIONS

Arrinex website, www.arrinex.com, retrieved from the World Wide Web on Jan. 17, 2020*.
 Patient Animation Video for ClariFix, www.youtube.com/watch?v=U3VrRoDBaNE, retrieved from the World Wide Web on Jan. 17, 2020*.

* cited by examiner

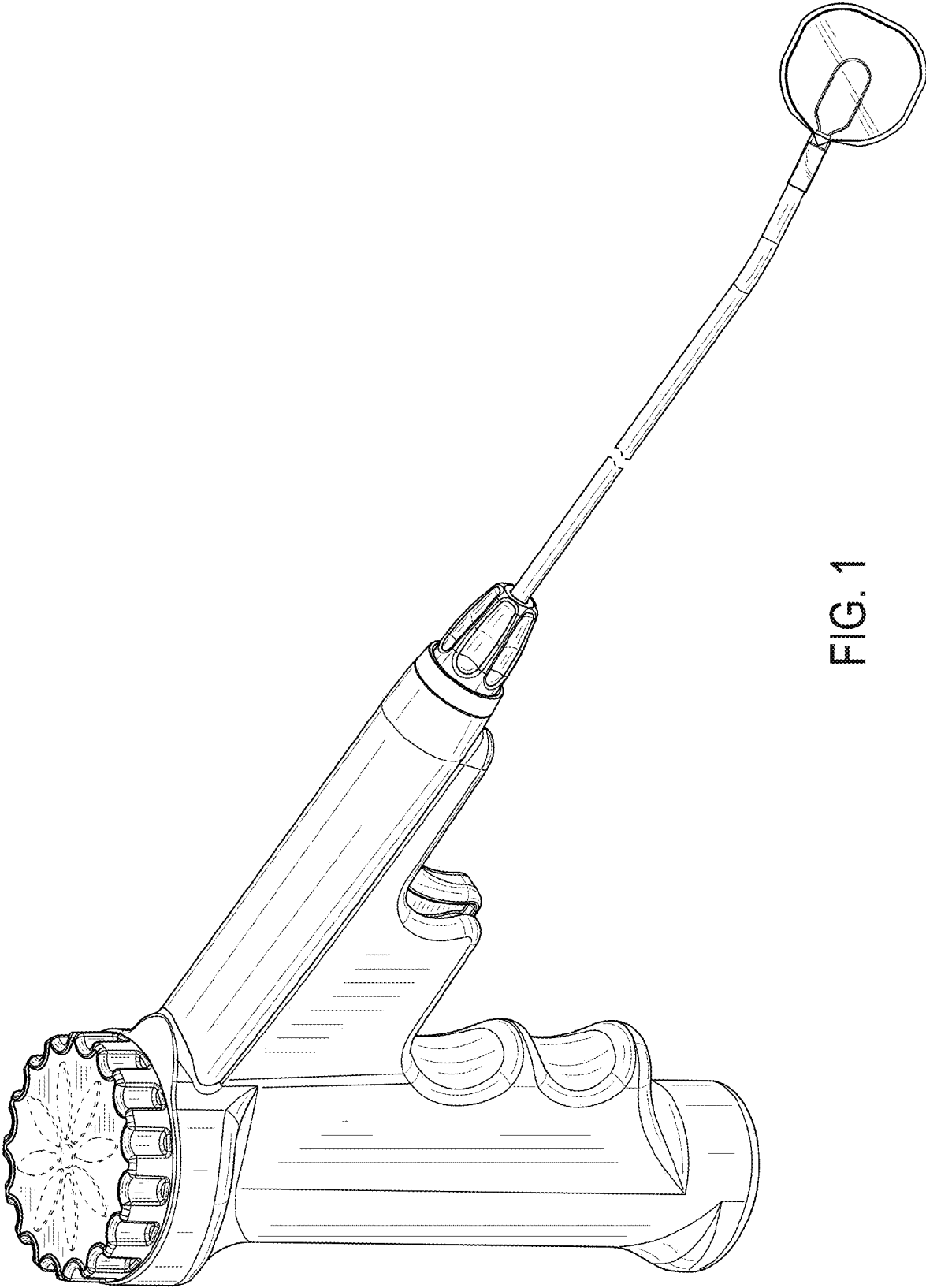


FIG. 1

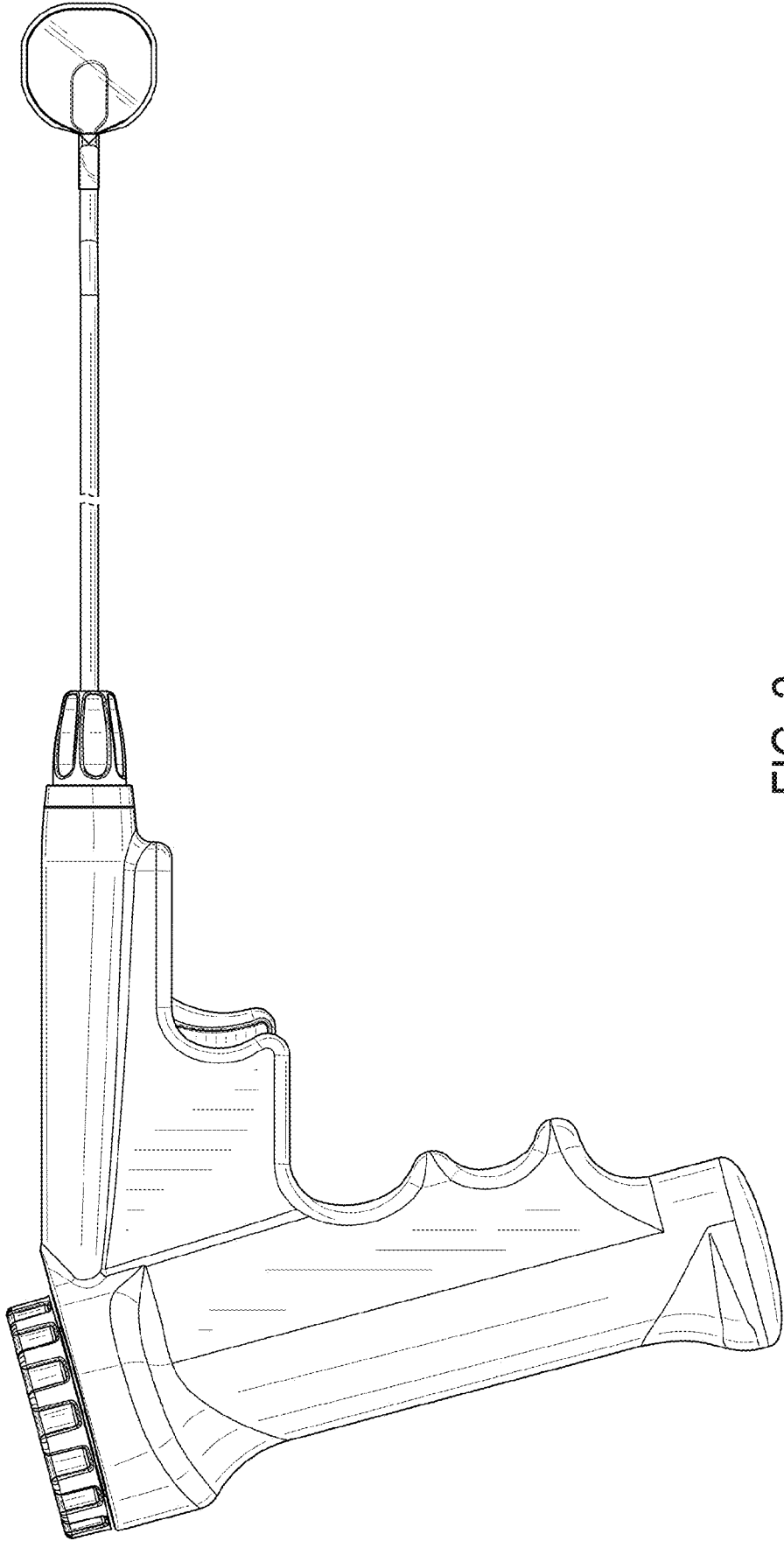


FIG. 2

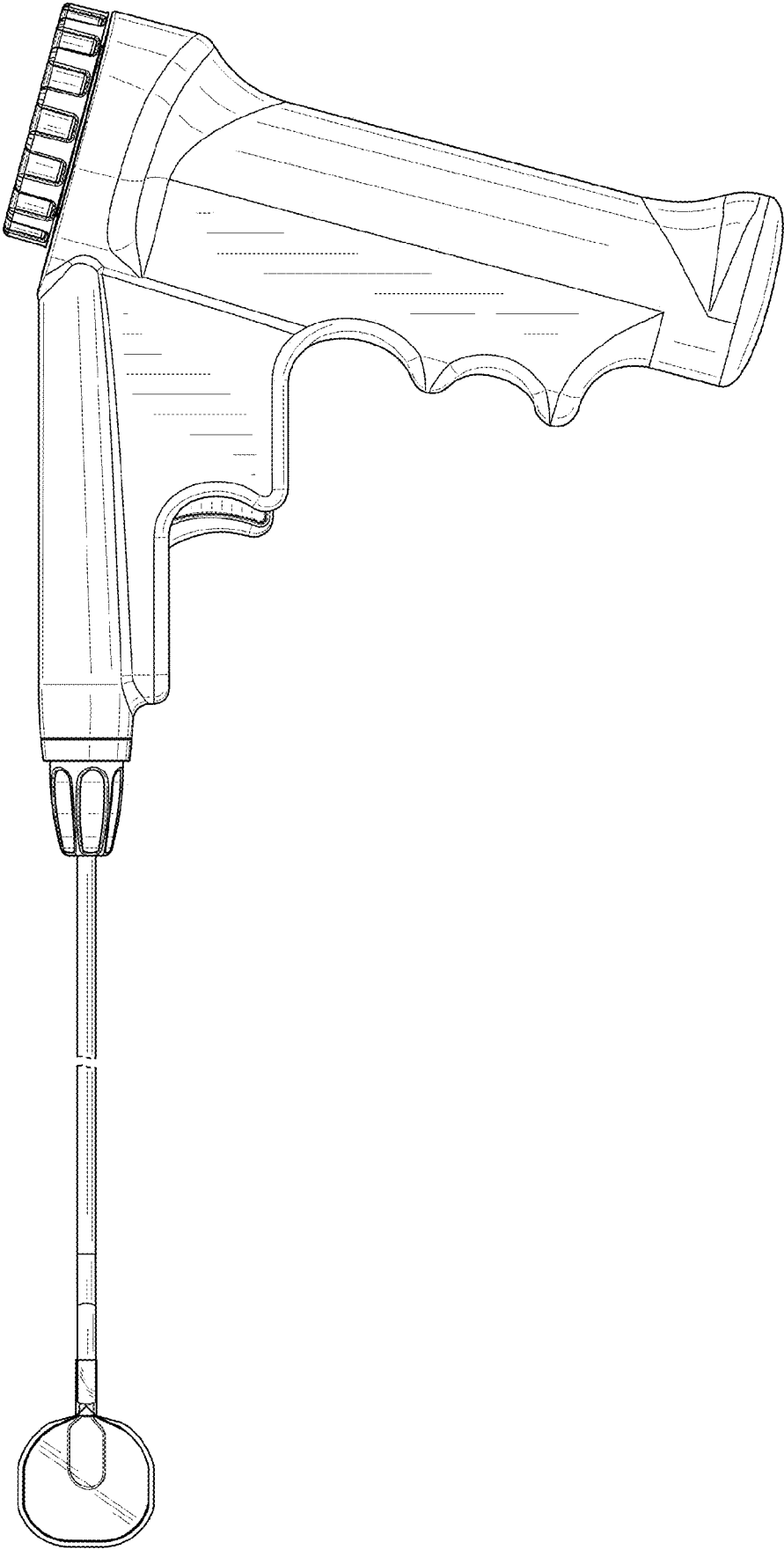


FIG. 3

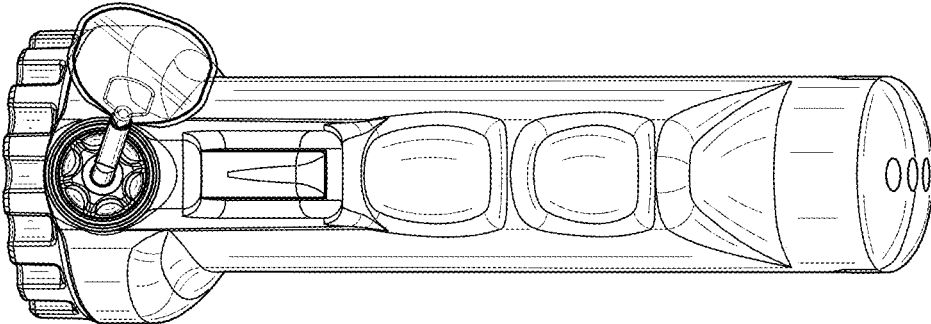


FIG. 5

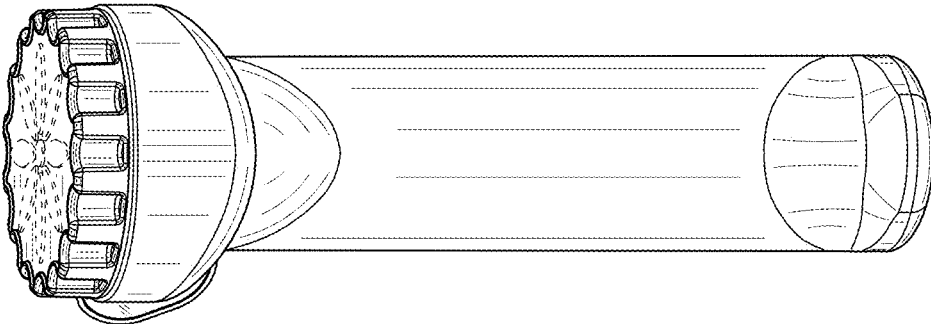


FIG. 4

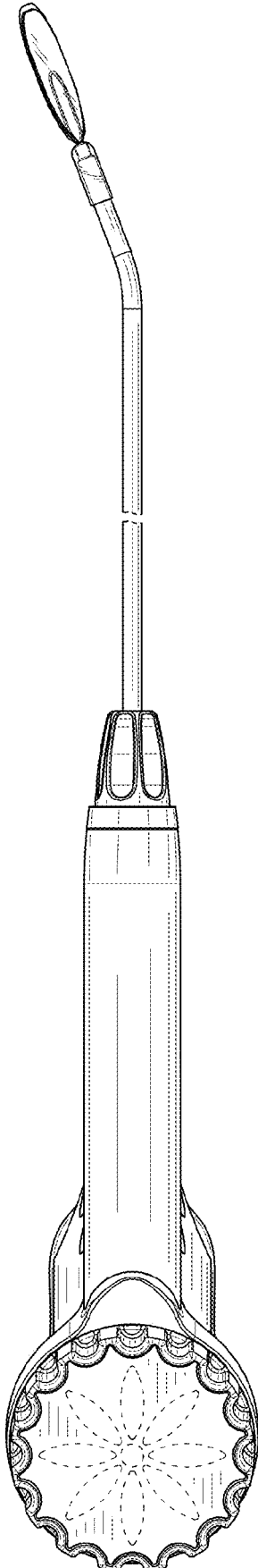


FIG. 6

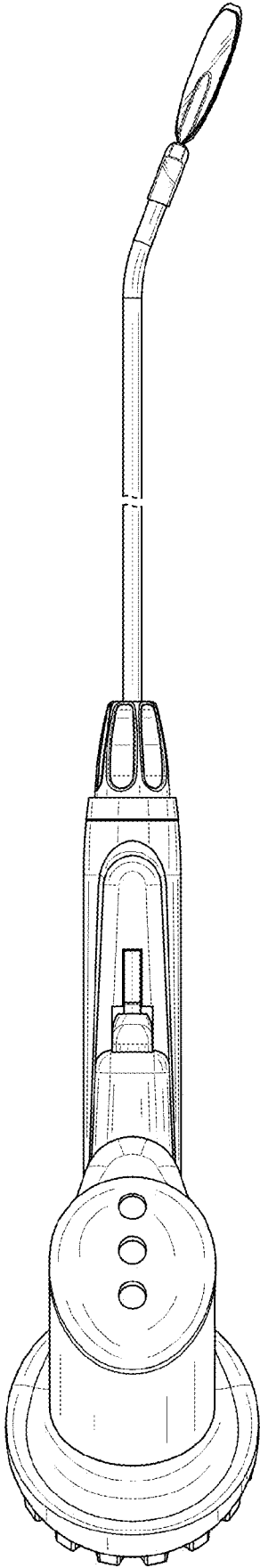


FIG. 7