

(19) World Intellectual Property Organization
International Bureau



(43) International Publication Date
11 September 2009 (11.09.2009)

(10) International Publication Number
WO 2009/110661 A3

(51) International Patent Classification:
F24F 3/14 (2006.01) F24F 13/22 (2006.01)
F24F 6/12 (2006.01)

nam-do 641-711 (KR). **KIM, Young-Hoon** [KR/KR]; LG Electronics Inc., IP GROUP, 391-2, Gaeumjeong-dong, Changwon City, Gyoungsangnam-do 641-711 (KR).

(21) International Application Number:
PCT/KR2008/003887

(74) Agent: **HAW, Yong-Noke**; 6th Fl. Hyun Juk Bldg. 832-41 Yeoksam-dong, Gangnam-gu, Seoul 135-080 (KR).

(22) International Filing Date:
2 July 2008 (02.07.2008)

(81) Designated States (unless otherwise indicated, for every kind of national protection available): AE, AG, AL, AM, AO, AT, AU, AZ, BA, BB, BG, BH, BR, BW, BY, BZ, CA, CH, CN, CO, CR, CU, CZ, DE, DK, DM, DO, DZ, EC, EE, EG, ES, FI, GB, GD, GE, GH, GM, GT, HN, HR, HU, ID, IL, IN, IS, JP, KE, KG, KM, KN, KP, KZ, LA, LC, LK, LR, LS, LT, LU, LY, MA, MD, ME, MG, MK, MN, MW, MX, MY, MZ, NA, NG, NI, NO, NZ, OM, PG, PH, PL, PT, RO, RS, RU, SC, SD, SE, SG, SK, SL, SM, SV, SY, TJ, TM, TN, TR, TT, TZ, UA, UG, US, UZ, VC, VN, ZA, ZM, ZW.

(25) Filing Language: English

(26) Publication Language: English

(30) Priority Data:
10-2008-0021234 7 March 2008 (07.03.2008) KR

(71) Applicant (for all designated States except US): **LG ELECTRONICS INC.** [KR/KR]; 20, Yeouido-dong, Yeongdeungpo-ku, Seoul 150-721 (KR).

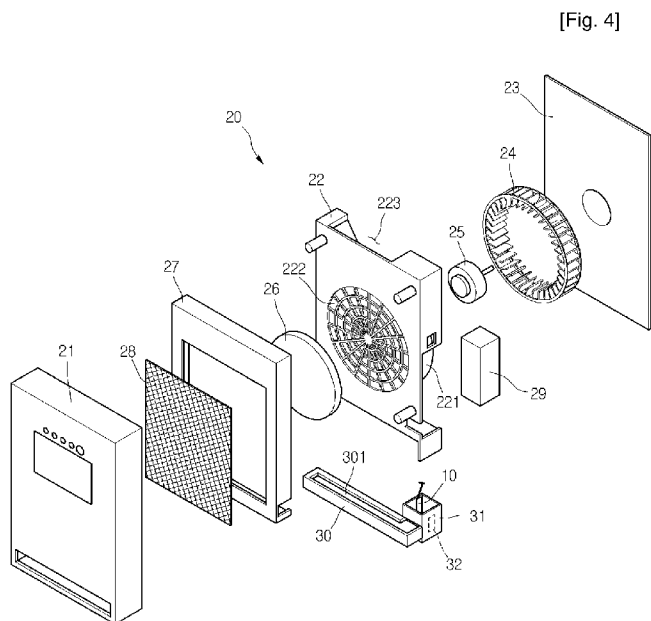
(72) Inventors; and

(75) Inventors/Applicants (for US only): **SUNG, Bong-Jo** [KR/KR]; LG Electronics Inc., IP GROUP, 391-2, Gaeumjeong-dong, Changwon City, Gyoungsangnam-do 641-711 (KR). **LEE, Sung-Hwa** [KR/KR]; LG Electronics Inc., IP GROUP, 391-2, Gaeumjeong-dong, Changwon City, Gyoungsangnam-do 641-711 (KR). **PARK, Jong-Ho** [KR/KR]; LG Electronics Inc., IP GROUP, 391-2, Gaeumjeong-dong, Changwon City, Gyoungsang-

(84) Designated States (unless otherwise indicated, for every kind of regional protection available): ARIPO (BW, GH, GM, KE, LS, MW, MZ, NA, SD, SL, SZ, TZ, UG, ZM, ZW), Eurasian (AM, AZ, BY, KG, KZ, MD, RU, TJ, TM), European (AT, BE, BG, CH, CY, CZ, DE, DK, EE, ES, FI, FR, GB, GR, HR, HU, IE, IS, IT, LT, LU, LV, MC, MT, NL, NO, PL, PT, RO, SE, SI, SK, TR), OAPI (BF, BJ, CF, CG, CI, CM, GA, GN, GQ, GW, ML, MR, NE, SN, TD, TG).

[Continued on next page]

(54) Title: AIR CONDITIONER AND AIR CONDITIONING SYSTEM



[Fig. 4]

(57) Abstract: The present application relates to an air conditioner with a humidifier and an air conditioning system. The air conditioner (30) has a main body (31) comprising an air inlet and an air outlet, and a heat exchanger (33) within the main body. A drain pan (38) receives a lower end of the heat exchanger (33) to collect condensate that is formed on a surface of the heat exchanger (33). A fan (24) assembly within the main body (31) suctions indoor air. A humidifying module within the main body comprises a discharge cell (10) that ionizes water through in-water discharging, where the humidifying module comprises a humidifying device (26) formed of a ceramic material and partly immersed in water collected in a drain pan (38).

WO 2009/110661 A3



Published:

(88) Date of publication of the international search report:

2 December 2010

- *with international search report (Art. 21(3))*
- *before the expiration of the time limit for amending the claims and to be republished in the event of receipt of amendments (Rule 48.2(h))*

INTERNATIONAL SEARCH REPORT

International application No.
PCT/KR 2008/003887

A. CLASSIFICATION OF SUBJECT MATTER IPC ⁸ : F24F 3/14 (2006.01); F24F 6/12 (2006.01); F24F 13/22 (2006.01) According to International Patent Classification (IPC) or to both national classification and IPC		
B. FIELDS SEARCHED		
Minimum documentation searched (classification system followed by classification symbols) IPC ⁸ : F24F, F25B, F28D		
Documentation searched other than minimum documentation to the extent that such documents are included in the fields searched		
Electronic data base consulted during the international search (name of data base and, where practicable, search terms used) EPODOC, WPI, Espacenet, GOOGLE		
C. DOCUMENTS CONSIDERED TO BE RELEVANT		
Category*	Citation of document, with indication, where appropriate, of the relevant passages	Relevant to claim No.
X A	JP 2005-90832 A (Kawase Koichi) 07 April 2005 (07.04.2005) <i>paragraphs 1-39 (of English MT) and figure 1.</i>	1-4,10-13,15-18 5-9,14
	--	
X A	KR 2001-0028455 (LG Electronics Inc.) 06 April 2001 (06.04.2001) <i>Structure and Operation of the Invention (of English MT) and figures 1 and 2</i>	1-3 4-18
	--	
<input checked="" type="checkbox"/> Further documents are listed in the continuation of Box C. <input checked="" type="checkbox"/> See patent family annex.		
* Special categories of cited documents: "A" document defining the general state of the art which is not considered to be of particular relevance "E" earlier application or patent but published on or after the international filing date "L" document which may throw doubts on priority claim(s) or which is cited to establish the publication date of another citation or other special reason (as specified) "O" document referring to an oral disclosure, use, exhibition or other means "P" document published prior to the international filing date but later than the priority date claimed		"T" later document published after the international filing date or priority date and not in conflict with the application but cited to understand the principle or theory underlying the invention "X" document of particular relevance; the claimed invention cannot be considered novel or cannot be considered to involve an inventive step when the document is taken alone "Y" document of particular relevance; the claimed invention cannot be considered to involve an inventive step when the document is combined with one or more other such documents, such combination being obvious to a person skilled in the art "&" document member of the same patent family
Date of the actual completion of the international search 01 September 2010 (01.09.2010)		Date of mailing of the international search report 07 October 2010 (07.10.2010)
Name and mailing address of the ISA/ AT Austrian Patent Office Dresdner Straße 87, A-1200 Vienna Facsimile No. +43 / 1 / 534 24 / 535		Authorized officer MIKLÓSI, J. Telephone No. +36 / 1 / 474 / 5863

INTERNATIONAL SEARCH REPORT

International application No.
PCT/KR 2008/003887

C (Continuation). DOCUMENTS CONSIDERED TO BE RELEVANT		
Category*	Citation of document, with indication, where appropriate, of the relevant passages	Relevant to claim No.
X	JP 2002-54827 A (Daikin Ind. Ltd.) 20 February 2002 (20.02.2002) <i>paragraphs 22-39 (of English MT) and figures: 1-4.</i>	1,3
A	--	2,4-18
A	JP 2000-291980 A (Daikin Ind. Ltd.) 20 October 2000 (20.10.2000) <i>the whole document (of English MT)</i>	1-18

INTERNATIONAL SEARCH REPORT

Information on patent family members

International application No.

PCT/KR 2008/003887

Patent document cited in search report			Publication date		Patent family member(s)		Publication date	
JP	A	200590832			none			
KR	A	20010028455	KR	A	20010028455		2001-04-06	
JP	A	200254827			none			
JP	A	2000291980	JP	A	2000291980		2000-10-20	