



US00D920559S

(12) **United States Design Patent**
Hendifar et al.

(10) **Patent No.:** **US D920,559 S**

(45) **Date of Patent:** **** May 25, 2021**

(54) **LIGHT FIXTURE**

- (71) Applicant: **APPARATUS LLC**, New York, NY (US)
- (72) Inventors: **Gabriel Hendifar**, New York, NY (US); **Jeremy R. Anderson**, New York, NY (US)
- (73) Assignee: **APPARATUS LLC**, New York, NY (US)
- (**) Term: **15 Years**

(21) Appl. No.: **29/705,863**

(22) Filed: **Sep. 16, 2019**

(51) **LOC (13) Cl.** **26-03**

(52) **U.S. Cl.**
USPC **D26/84; D26/83**

(58) **Field of Classification Search**
USPC D26/72, 80-86, 88, 90
CPC F21S 8/04; F21S 8/043; F21S 8/046; F21S 8/06; F21S 8/061; F21S 8/063; F21S 8/065; F21S 8/066; F21S 8/068
See application file for complete search history.

(56) **References Cited**

U.S. PATENT DOCUMENTS

248,424	A	*	10/1881	Edison	F21S 8/065
						362/241
D50,193	S	*	1/1917	Guth	D26/84
D134,482	S	*	12/1942	Ganger	D26/81
2,916,250	A	*	12/1959	Wolar	F21V 21/03
						248/345
D304,768	S	*	11/1989	Dicola	D26/84
D541,970	S	*	5/2007	Blackman	D26/81
D565,779	S	*	4/2008	Meise	D26/84
D643,962	S	*	8/2011	Verelst	D26/83
D767,197	S		9/2016	Anderson et al.		
D779,708	S		2/2017	Anderson et al.		
D780,979	S	*	3/2017	Urquiola	D26/88

(Continued)

OTHER PUBLICATIONS

Trapeze 2 Mobile Pendant Spec Sheet dated ©2014 from apparatusstudio.com. (Year: 2014).*

(Continued)

Primary Examiner — Clare E Heflin

(74) *Attorney, Agent, or Firm* — Gottlieb, Rackman & Reisman, P.C.

(57) **CLAIM**

The ornamental design for a light fixture, as shown and described.

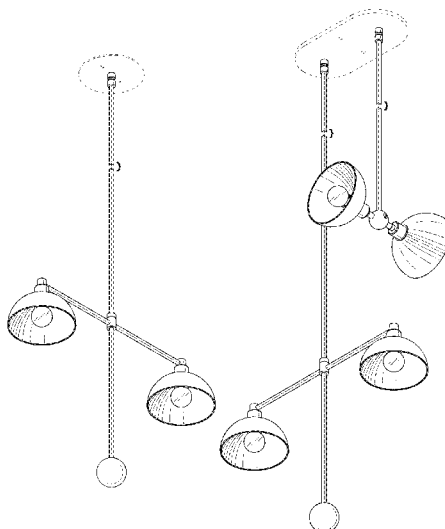
DESCRIPTION

FIG. 1 is a top perspective view showing our new design; FIG. 2 is a bottom perspective view thereof; FIG. 3 is a front elevational view thereof; FIG. 4 is a rear elevational view thereof; FIG. 5 is a left side elevational view thereof; FIG. 6 is a right side elevational view thereof; FIG. 7 is a top plan view thereof; FIG. 8 is a bottom plan view thereof; FIG. 9 is a top perspective of a second embodiment thereof; FIG. 10 is a bottom perspective view thereof; FIG. 11 is a front elevational view thereof; FIG. 12 is a rear elevational view thereof; FIG. 13 is a left side elevational view thereof; FIG. 14 is a right side elevational view thereof; FIG. 15 is a top plan view thereof; and, FIG. 16 is a bottom plan view thereof.

The break lines in FIGS. 1-6 and 9-14 are to indicate that the appearance of any portion of the LIGHT FIXTURE between the break lines forms no part of the claimed design.

The broken lines in FIGS. 1-16 illustrate portions of the light fixture that form no part of the claimed design.

1 Claim, 14 Drawing Sheets



(56)

References Cited

U.S. PATENT DOCUMENTS

D791,388	S	*	7/2017	Sonneman	D26/90
D792,633	S	*	7/2017	Sonneman	D26/90
D793,605	S	*	8/2017	Cartwright	D26/81
D806,304	S	*	12/2017	Amato	D26/81
D812,800	S	*	3/2018	Martin	D26/81
D828,607	S	*	9/2018	Sonneman	D26/81
D828,945	S	*	9/2018	Crocker	D26/81
D857,965	S	*	8/2019	Amato	D26/81
D862,767	S	*	10/2019	Pomputius	D26/81
D889,724	S	*	7/2020	Richardson	D26/81
D895,191	S	*	9/2020	Tang	D26/88
2014/0334140	A1	*	11/2014	Chiu	F21S 6/005 362/217.17
2017/0198895	A1	*	7/2017	Sonneman	F21S 8/065

OTHER PUBLICATIONS

Trapeze 4 Mobile Pendant Spec Sheet dated ©2014 from apparatusstudio.com. (Year: 2014).*

Apparatus LLC 2014 Catalog; Trapeze; apparatusstudio.com; New York, NY.

* cited by examiner

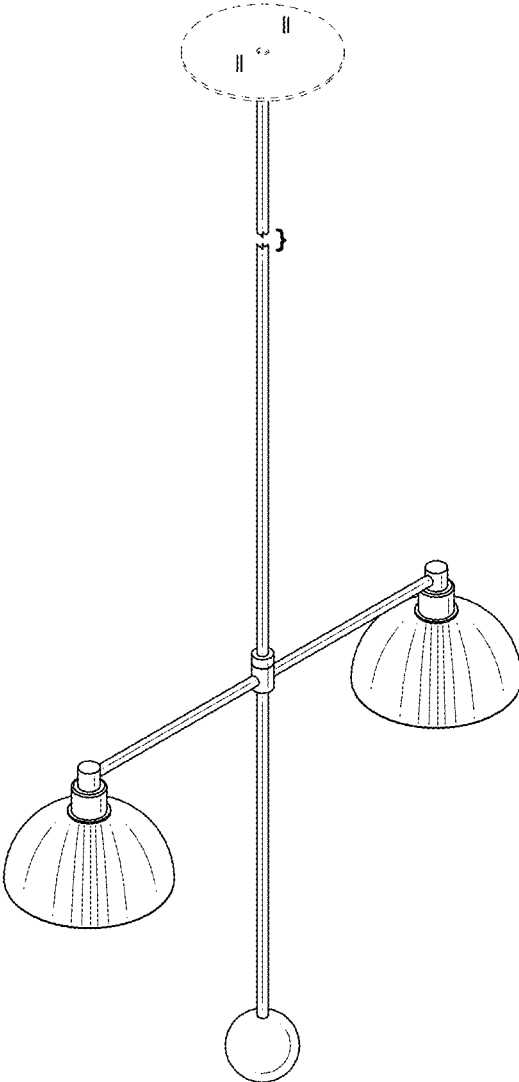


FIG. 1

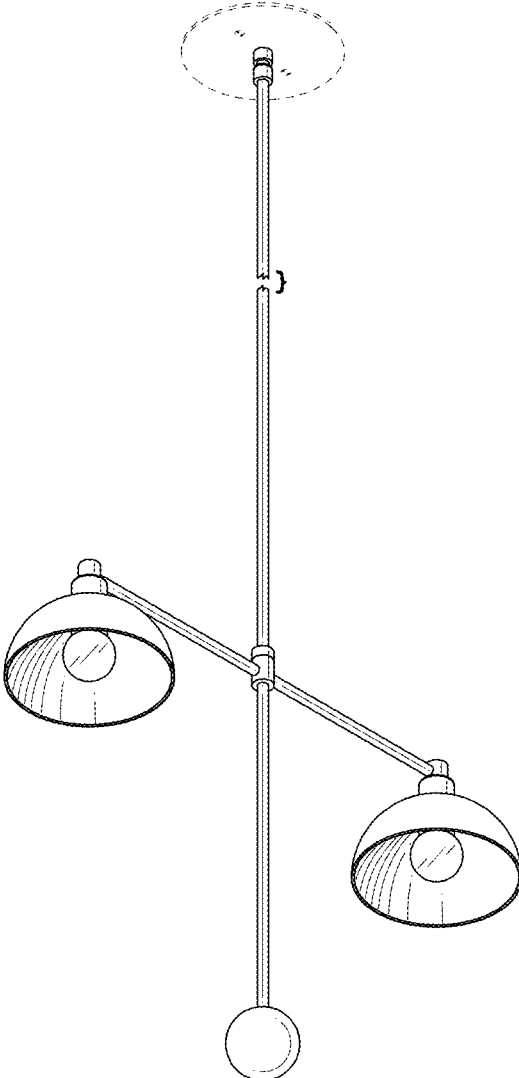


FIG.2

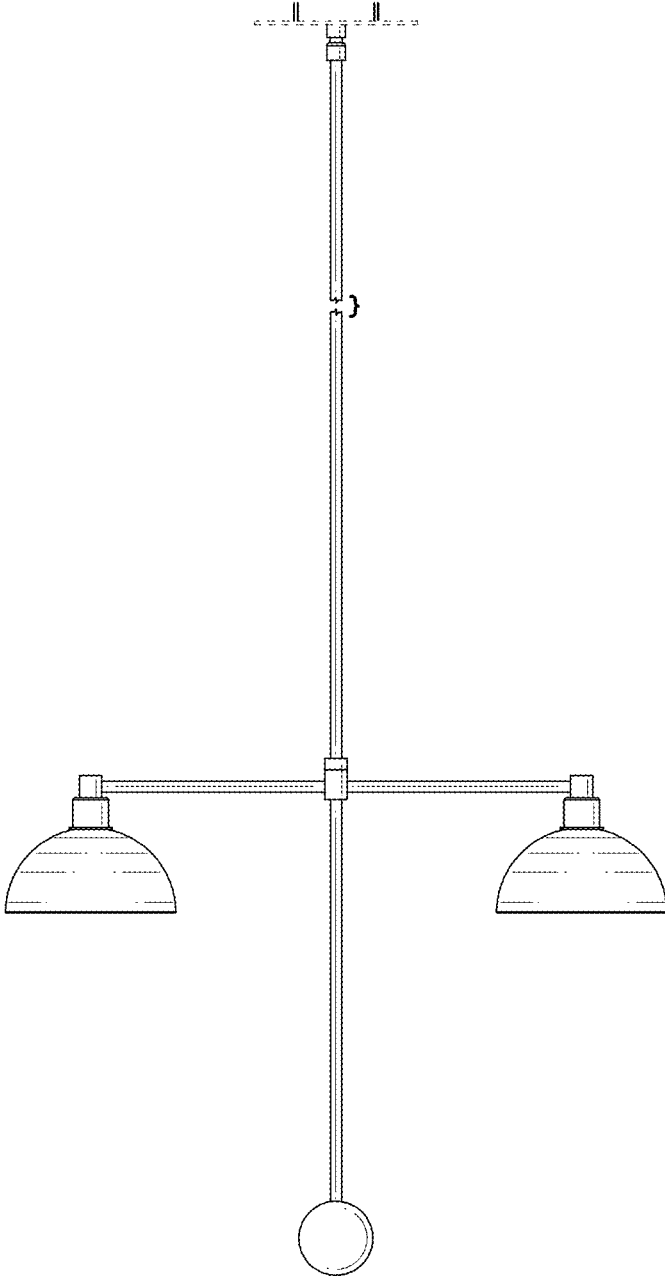


FIG. 3

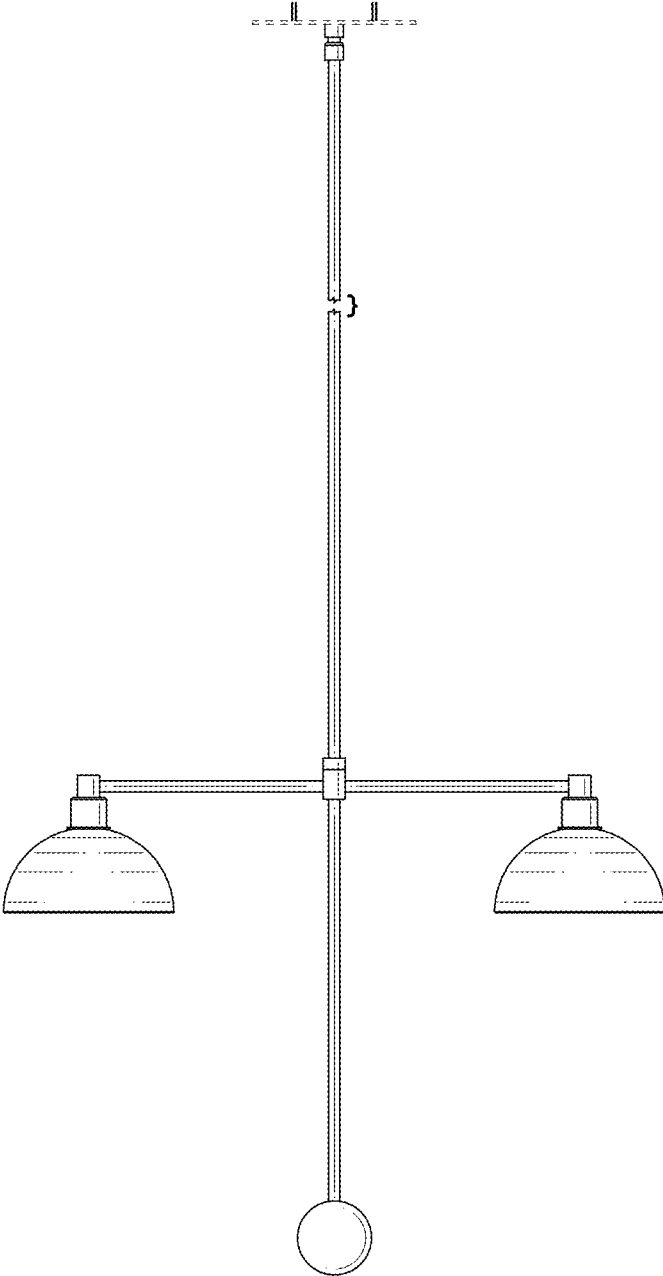


FIG. 4

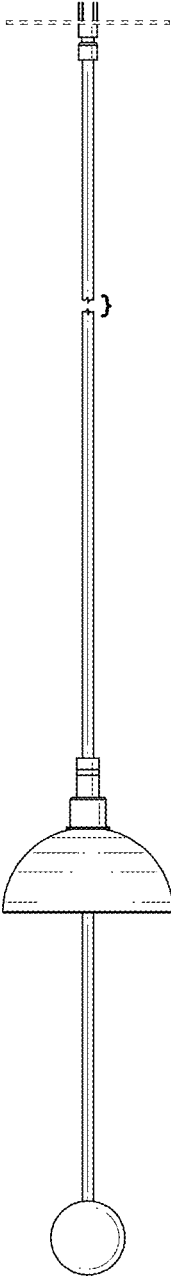


FIG. 5

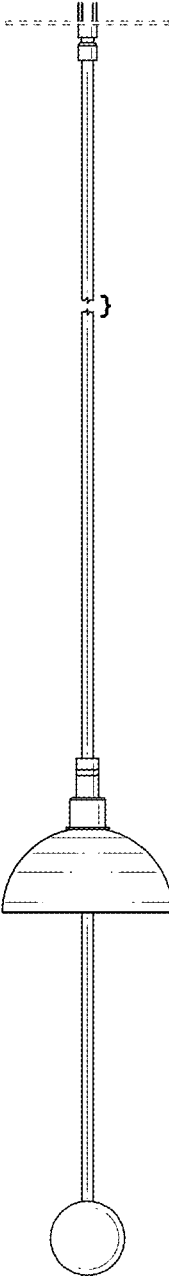


FIG. 6

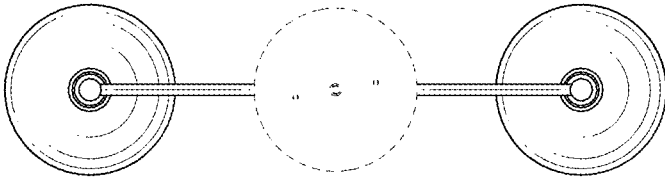


FIG. 7

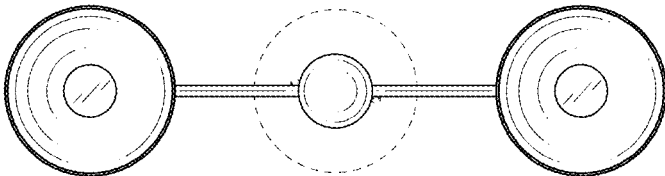


FIG. 8

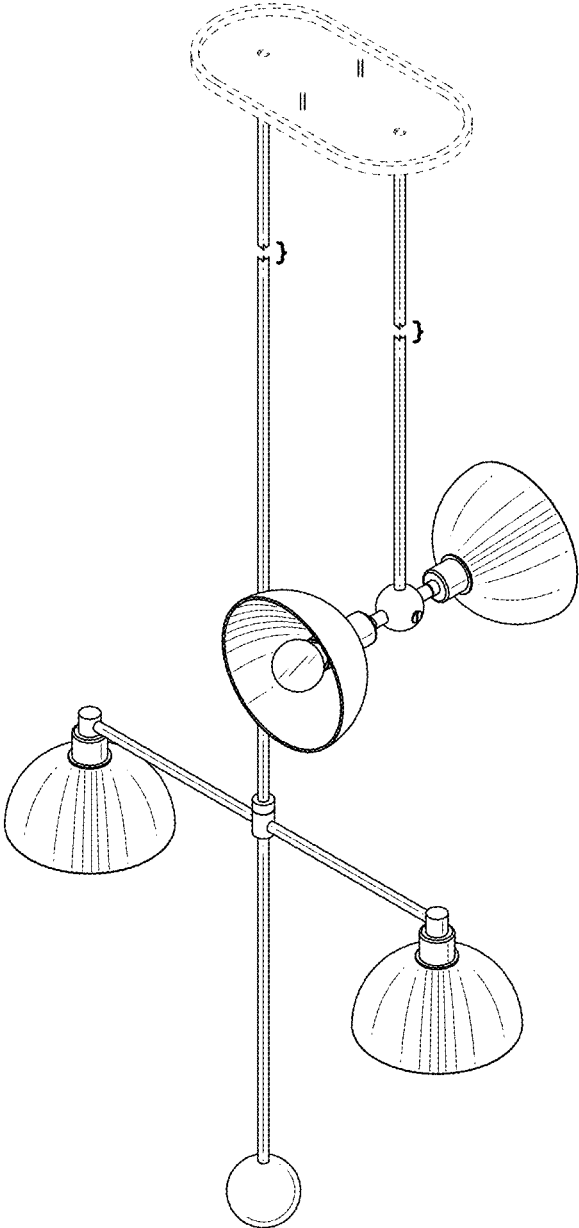


FIG.9

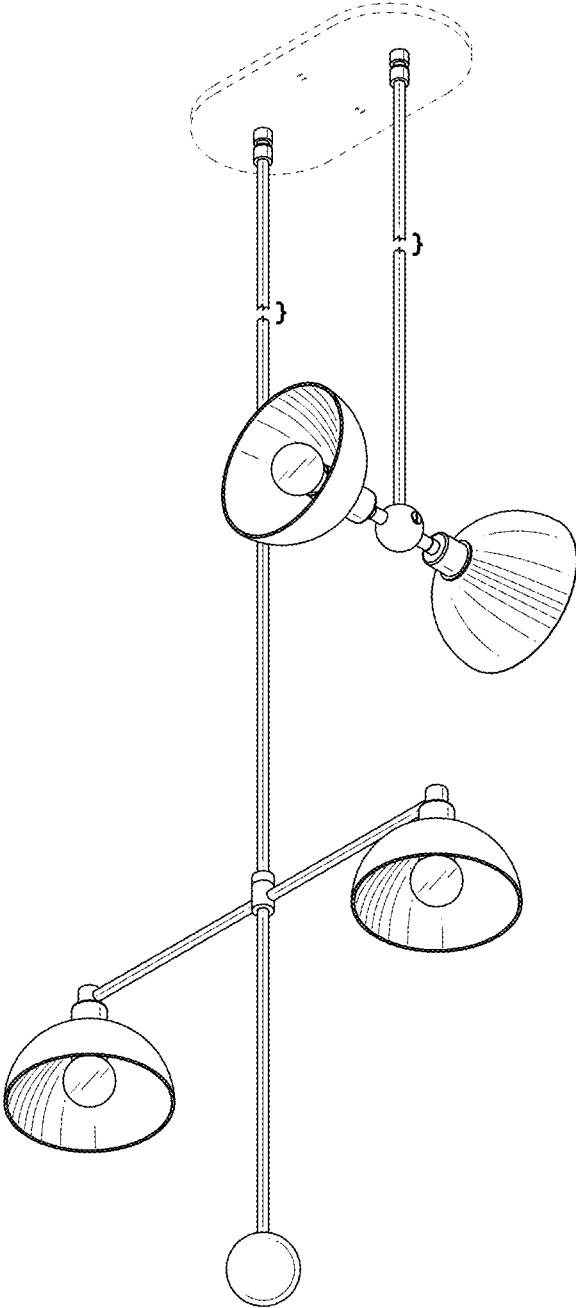


FIG. 10

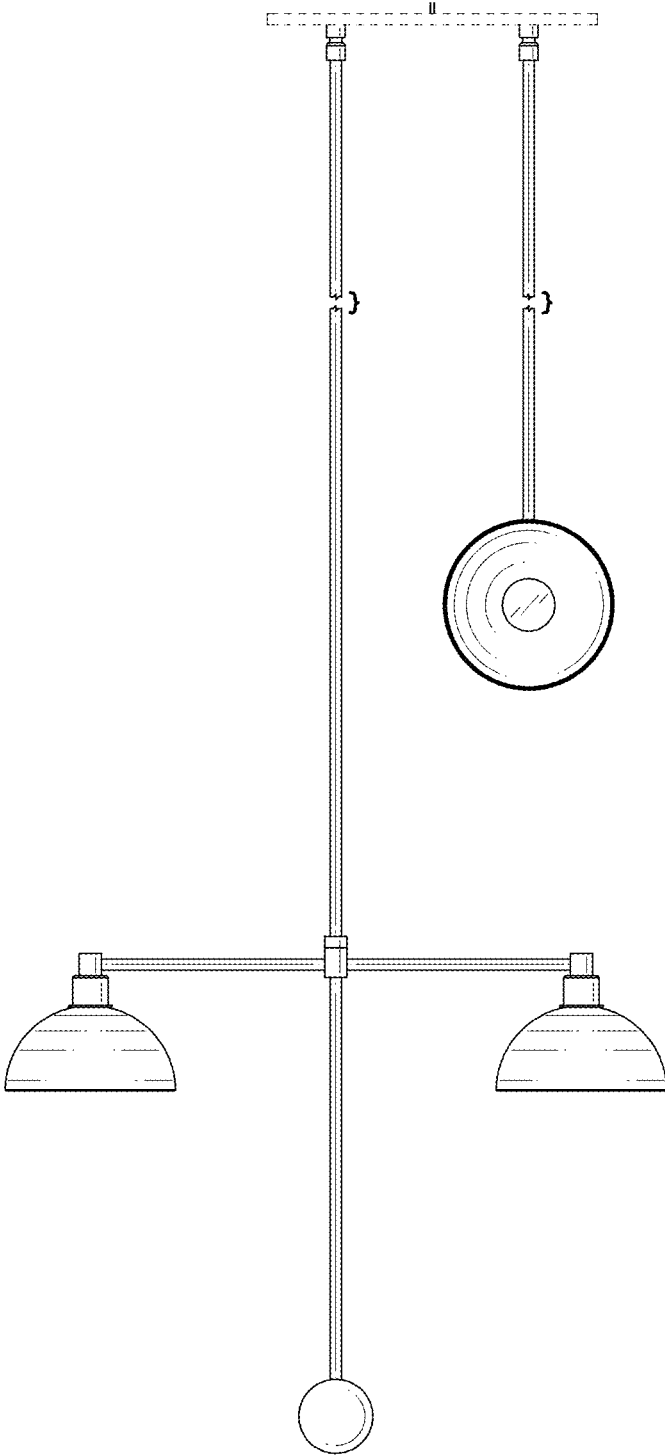


FIG. 11

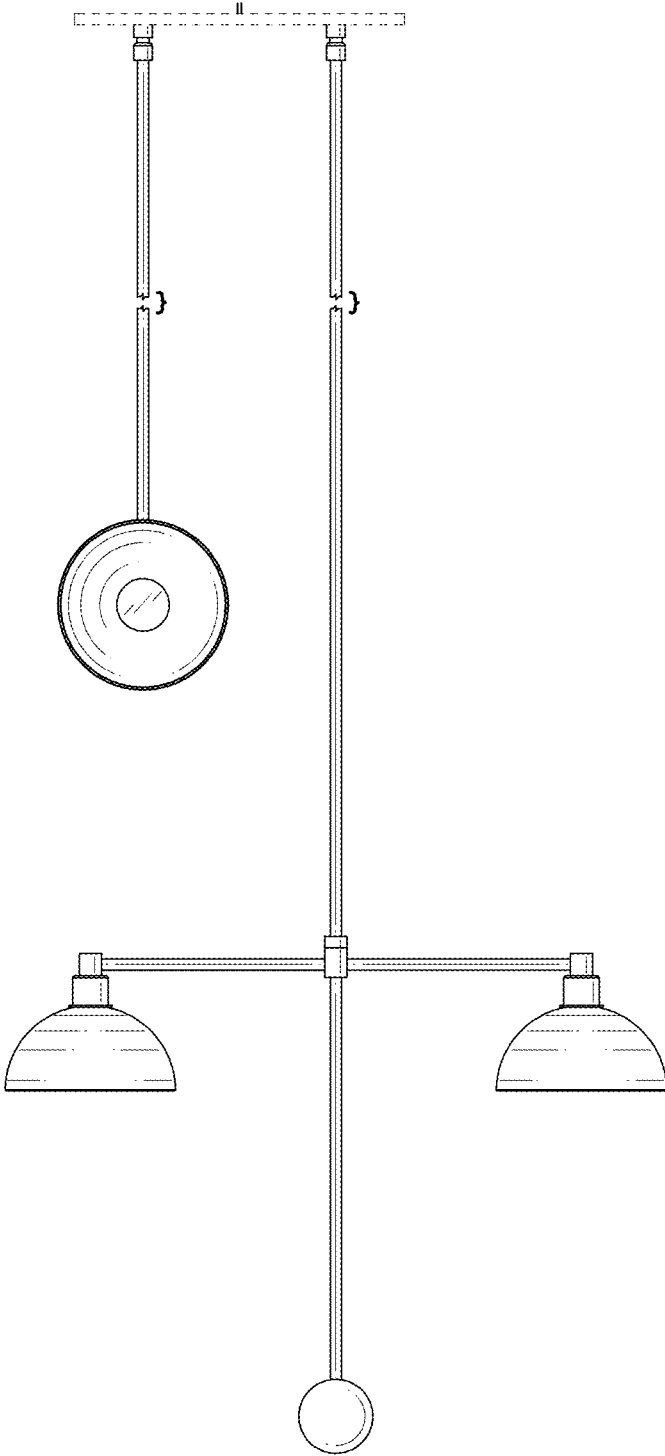


FIG. 12

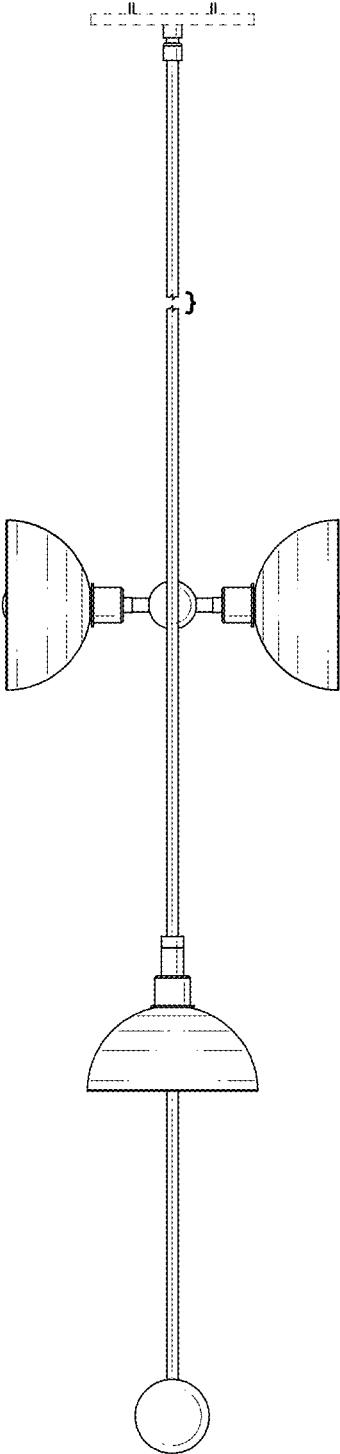


FIG. 13

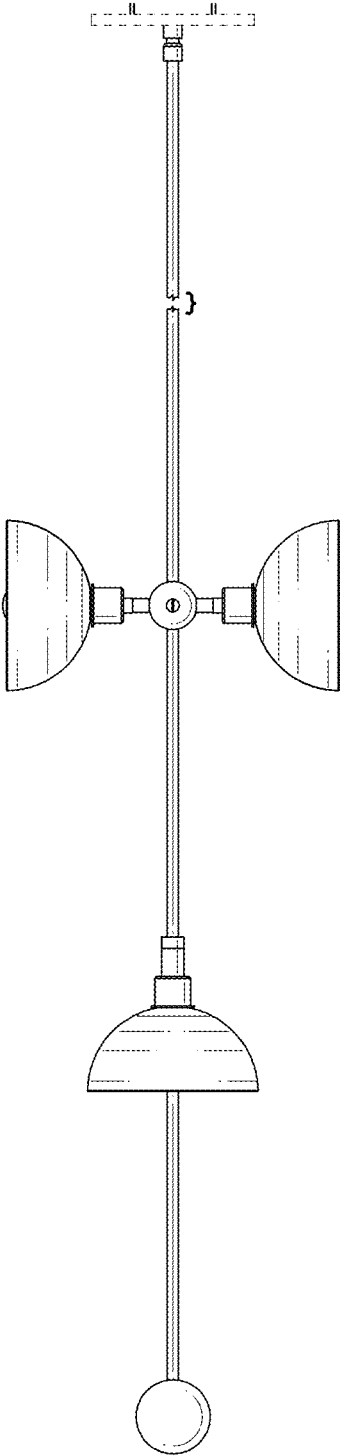


FIG. 14

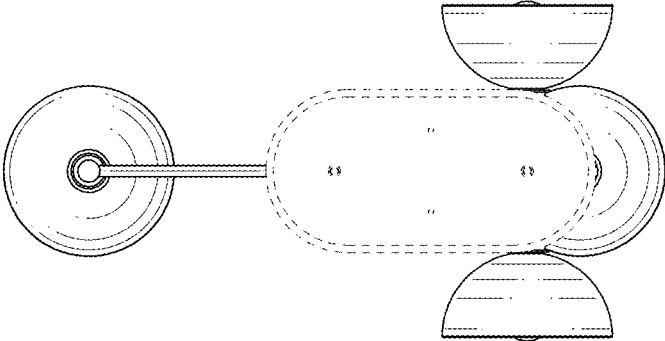


FIG. 15

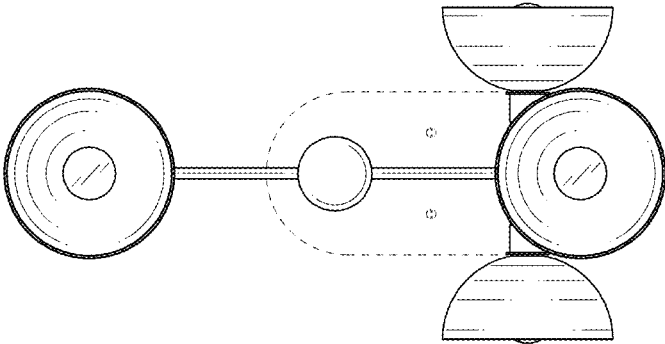


FIG. 16