



(12) **United States Design Patent**  
**Kim et al.**

(10) **Patent No.:** **US D869,273 S**  
(45) **Date of Patent:** **\*\* Dec. 10, 2019**

(54) **INNER CONTAINER FOR A COMPACT**

B65D 2543/00296; B65D 5/46; B65D 2251/00

(71) Applicant: **YONWOO CO., LTD.**, Incheon (KR)

See application file for complete search history.

(72) Inventors: **Ah-Young Kim**, Incheon (KR); **Jae Ock Lee**, Incheon (KR); **Seo-Hui Jung**, Incheon (KR); **Hyo-Sun Jung**, Incheon (KR)

(56) **References Cited**

U.S. PATENT DOCUMENTS

D69,183 S \* 1/1926 Lewis ..... D28/82  
2,315,647 A \* 4/1943 Nyden ..... A45D 33/006  
132/305  
D137,166 S \* 2/1944 Crane ..... D28/82

(73) Assignee: **YONWOO CO., LTD.**, Incheon (KR)

(Continued)

(\*\*) Term: **15 Years**

*Primary Examiner* — Michael A. Pratt  
*Assistant Examiner* — Wendy L Arminio

(21) Appl. No.: **29/582,214**

(74) *Attorney, Agent, or Firm* — Marshall, Gerstein & Borun LLP

(22) Filed: **Oct. 26, 2016**

(57) **CLAIM**

(30) **Foreign Application Priority Data**

The ornamental design for an inner container for a compact, as shown and described.

Apr. 28, 2016 (KR) ..... 30-2016-0020247

**DESCRIPTION**

(51) **LOC (12) Cl.** ..... **09-07**

FIG. 1 is a front, right-side, and top view of an inner container for a compact showing the new design.

(52) **U.S. Cl.**

FIG. 2 is a top plan view of the inner container for a compact.

USPC ..... **D9/449**; D28/82

FIG. 3 is a front elevation view of the inner container for a compact.

(58) **Field of Classification Search**

USPC ..... D9/414, 415, 424, 425, 434, 435, 436, D9/443, 444-452, 454-456, 499, 529, D9/682, 685, 686; D7/387, 391, 392, D7/392.1, 396.1, 396.2, 396.3, 396.4, D7/397, 398, 401.1, 507, 509-511, 538, D7/900; D3/202, 203.2; D28/91, 91.1, D28/78, 82

FIG. 4 is a right-side elevation view of the inner container for a compact.

CPC .. A61J 1/00; A61J 1/1412; B65D 1/00; B65D

FIG. 5 is a cross sectional right-side view, better showing the profile of the top.

1/02; B65D 1/10; B65D 1/46; B65D

FIG. 6 is a rear elevation view of the inner container for a compact.

2585/56; B65D 2585/545; B65D 41/00;

FIG. 7 is a left-side elevation view of the inner container for a compact.

B65D 41/38; B65D 41/56; B65D 41/62;

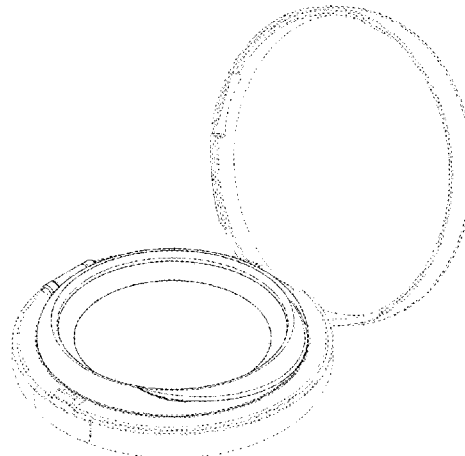
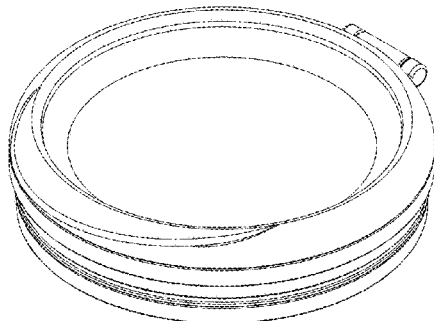
FIG. 8 is a bottom plan view of the inner container for a compact; and,

B65D 47/00; B65D 47/06; B65D 47/08;

FIG. 9 is a front, right-side, and top view showing the inner container for a compact in a position of use inside a compact drawn in broken lines.

B65D 2543/00046; B65D 2543/00092;

(Continued)



The broken lines illustrating a compact depict environment and form no part of the claimed design. All other broken lines depict portions of the inner container for a compact that form no part of the claimed design.

**1 Claim, 9 Drawing Sheets**

(56)

**References Cited**

U.S. PATENT DOCUMENTS

3,552,402 A \* 1/1971 Levy ..... A45D 40/221  
 132/293  
 D402,412 S \* 12/1998 Thorpe ..... D28/82  
 D473,344 S \* 4/2003 Thorpe ..... D28/82  
 D473,345 S \* 4/2003 Thorpe ..... D28/82  
 D521,381 S \* 5/2006 Hicks ..... D9/449

D521,865 S \* 5/2006 Hicks ..... D9/449  
 D522,363 S \* 6/2006 Hicks ..... D9/449  
 D523,177 S \* 6/2006 Ashiwa ..... D28/82  
 D536,975 S \* 2/2007 Smith ..... D9/435  
 D624,414 S \* 9/2010 Benoit-Gonin ..... D9/449  
 D631,608 S \* 1/2011 Pires ..... D28/82  
 D774,697 S \* 12/2016 Praster ..... D28/82  
 D784,808 S \* 4/2017 Berroa Garcia ..... D9/434  
 9,867,447 B1 \* 1/2018 Kim ..... A45D 40/24  
 2016/0073761 A1 \* 3/2016 Lee ..... A45D 33/025  
 132/298  
 2017/0056905 A1 \* 3/2017 Lee ..... B05B 11/3001  
 2017/0280850 A1 \* 10/2017 Lee ..... A45D 33/003  
 2017/0347772 A1 \* 12/2017 Kang ..... A45D 34/00  
 2017/0347775 A1 \* 12/2017 Lee ..... A45D 42/02  
 2018/0037375 A1 \* 2/2018 Lee ..... A45D 40/22  
 2018/0078018 A1 \* 3/2018 Lee ..... B65D 83/00  
 2018/0116368 A1 \* 5/2018 Kim ..... A45D 34/00  
 2018/0184786 A1 \* 7/2018 Lee ..... A45D 40/00

\* cited by examiner

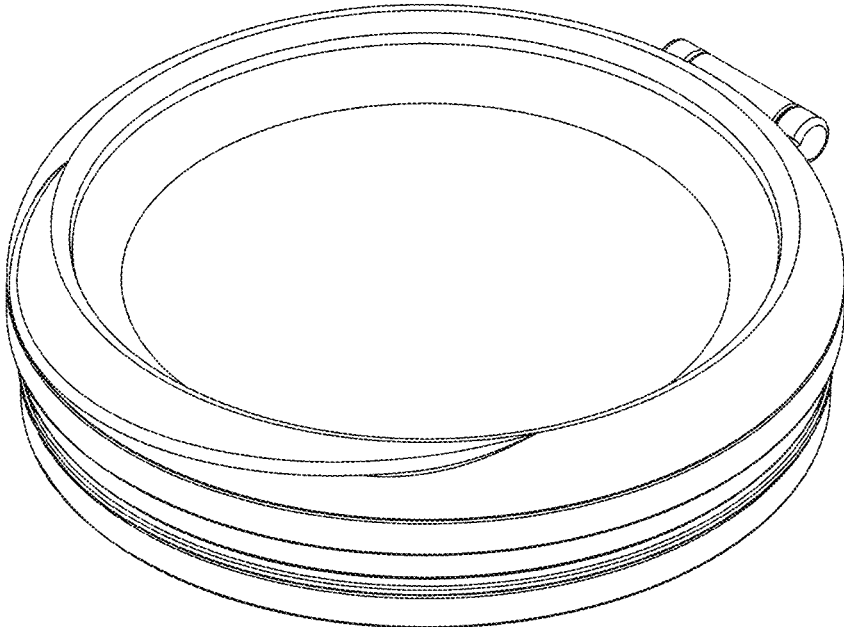


FIG. 1

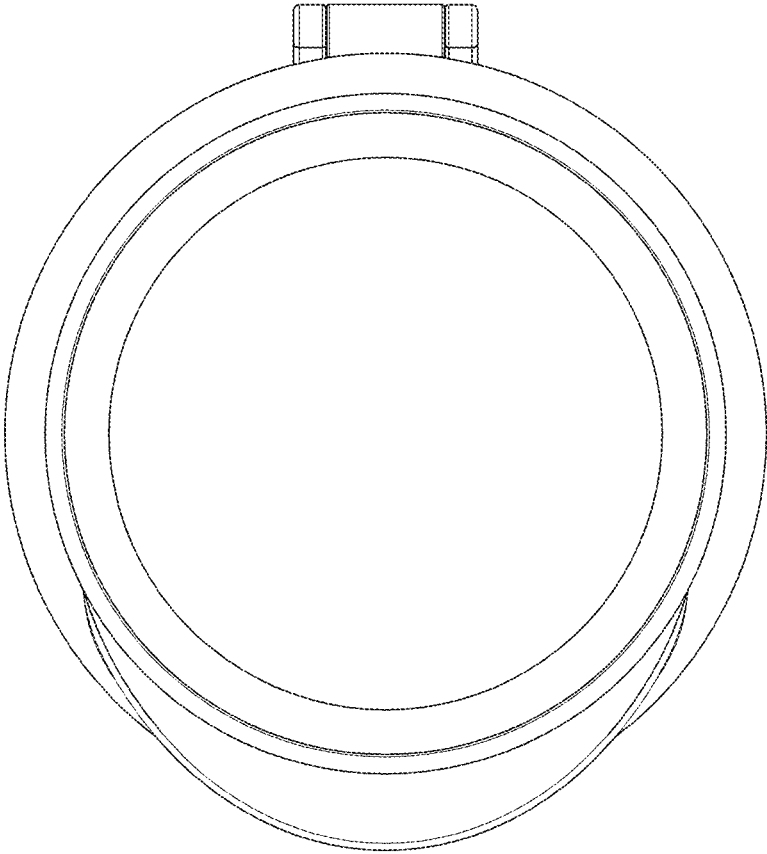


FIG. 2

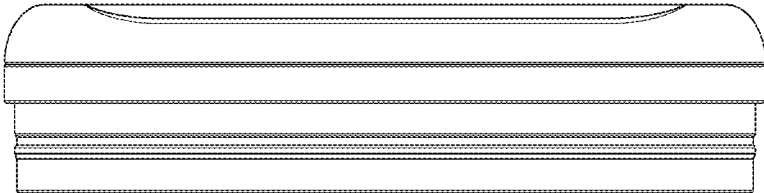


FIG. 3

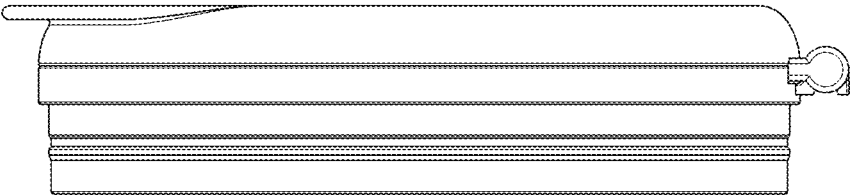


FIG. 4

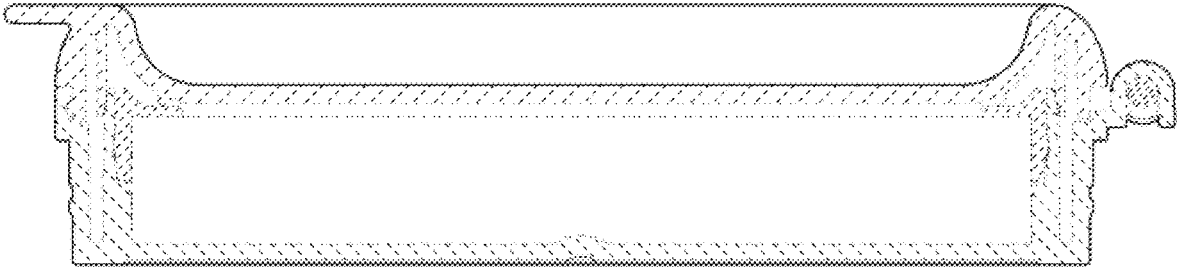


FIG. 5

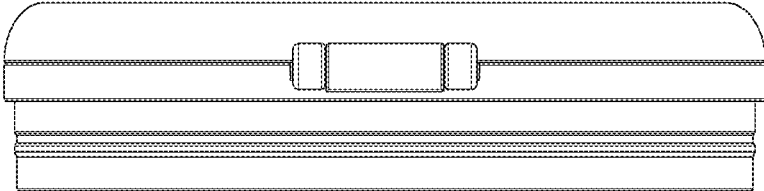


FIG. 6



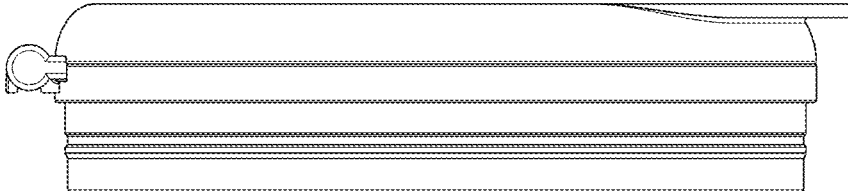


FIG. 7

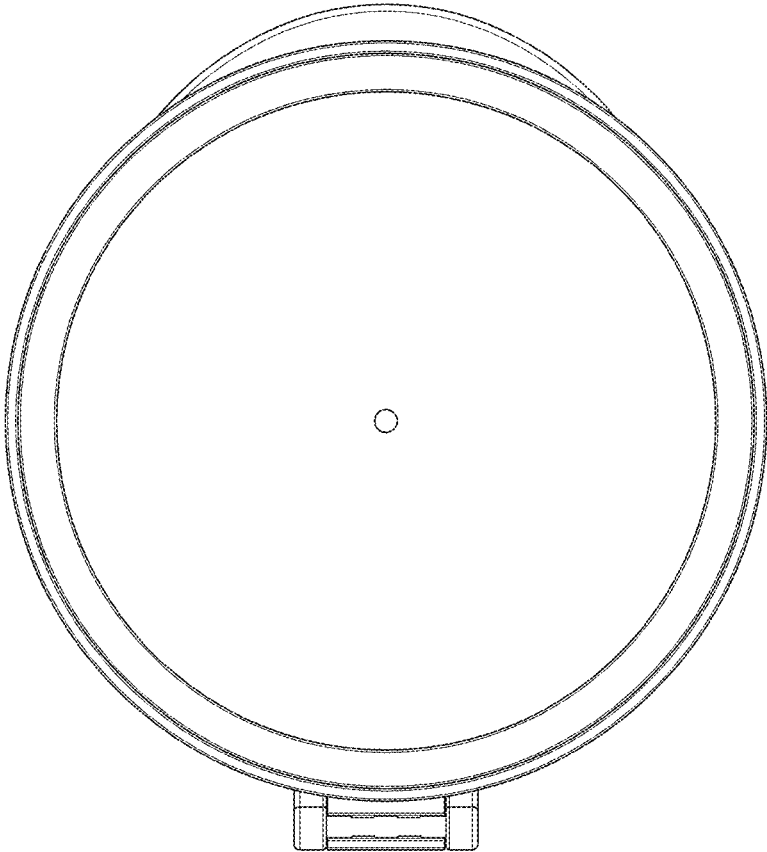


FIG. 8

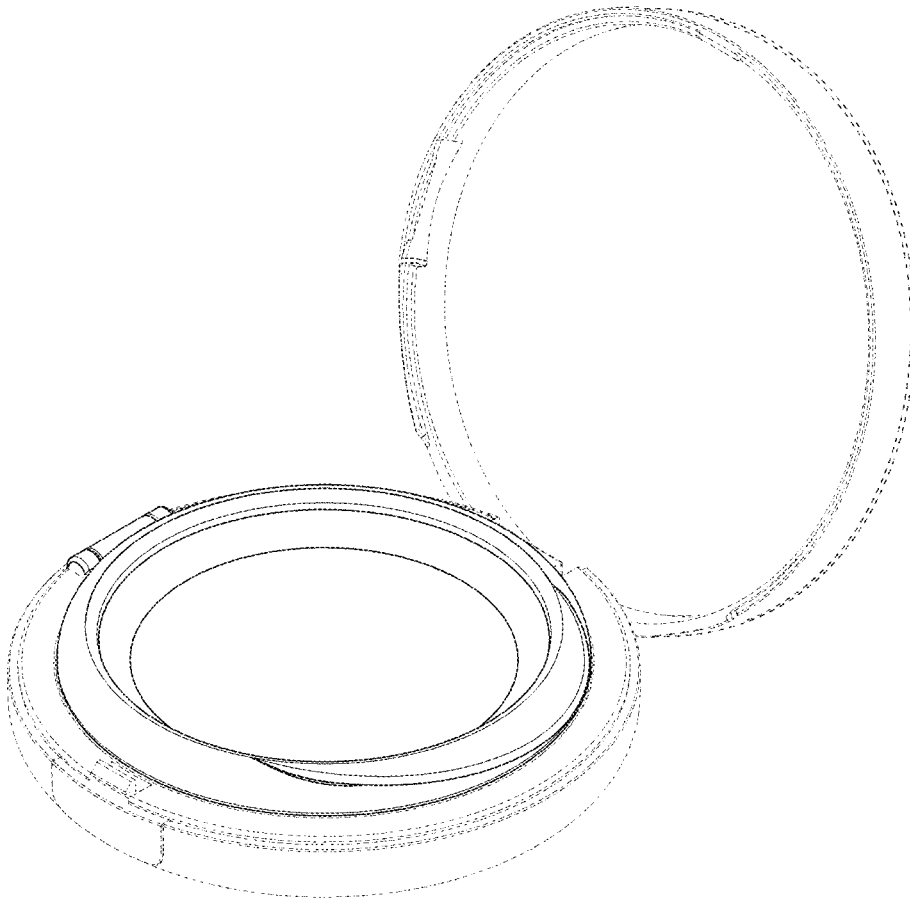


FIG. 9