



US00D797285S

(12) **United States Design Patent**
Martin et al.

(10) **Patent No.:** **US D797,285 S**

(45) **Date of Patent:** **** Sep. 12, 2017**

(54) SUTURE CARTRIDGE	7,041,111 B2 *	5/2006	Chu	A61B 17/0469	606/144
(71) Applicant: Ethicon Endo-Surgery, LLC, Guaynabo, PR (US)	8,123,764 B2 *	2/2012	Meade	A61B 17/0469	606/139
(72) Inventors: David T. Martin, Milford, OH (US); William J. White, West Chester, OH (US)	9,125,645 B1 *	9/2015	Martin	A61B 17/0469	606/145
(73) Assignee: ETHICON LLC, Guaynabo, PR (US)	9,173,655 B2 *	11/2015	Martin	A61B 17/0469	606/145
(**) Term: 15 Years	9,375,212 B2 *	6/2016	Martin	A61B 17/0469	606/145
(21) Appl. No.: 29/559,505	2014/0171977 A1 *	6/2014	Martin	A61B 17/0469	606/144
(22) Filed: Mar. 29, 2016	2015/0133967 A1 *	5/2015	Martin	A61B 17/0469	606/144

* cited by examiner

Primary Examiner — Wan Laymon

Related U.S. Application Data

(63) Continuation of application No. 29/515,300, filed on Jan. 21, 2015, now Pat. No. Des. 754,856.

(51) **LOC (10) Cl.** **24-02**

(52) **U.S. Cl.** **D24/145**

(58) **Field of Classification Search**

USPC D24/145; 606/75, 148, 213, 219, 232;
206/572, 63.3

CPC A61B 17/06114; A61B 17/0625; A61B 17/04; A61B 17/0401; A61B 2017/0416; A61B 2017/0469

See application file for complete search history.

References Cited

U.S. PATENT DOCUMENTS

5,133,723 A *	7/1992	Li	A61B 17/0469	289/17
5,713,910 A *	2/1998	Gordon	A61B 17/0469	112/169

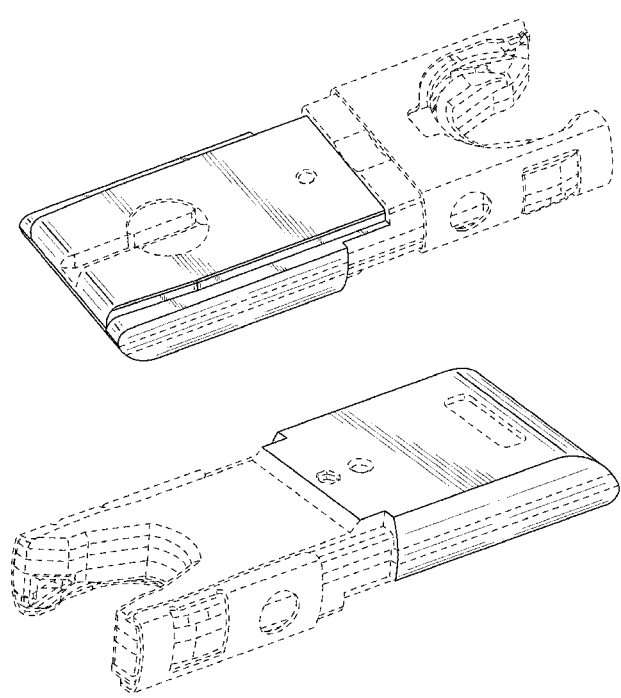
(57) **CLAIM**

The ornamental design for a suture cartridge, as shown and described.

DESCRIPTION

FIG. 1 is a top perspective view of a suture cartridge; FIG. 2 is a bottom perspective view thereof; FIG. 3 is a top plan view thereof; FIG. 4 is a right side elevation view thereof; FIG. 5 is a bottom plan view thereof; FIG. 6 is a left side elevation view thereof; FIG. 7 is a front elevation view thereof; and, FIG. 8 is an end elevation view thereof. The broken lines shown in the drawings are included for the purpose of illustrating structural environment and form no part of the claimed design.

1 Claim, 5 Drawing Sheets



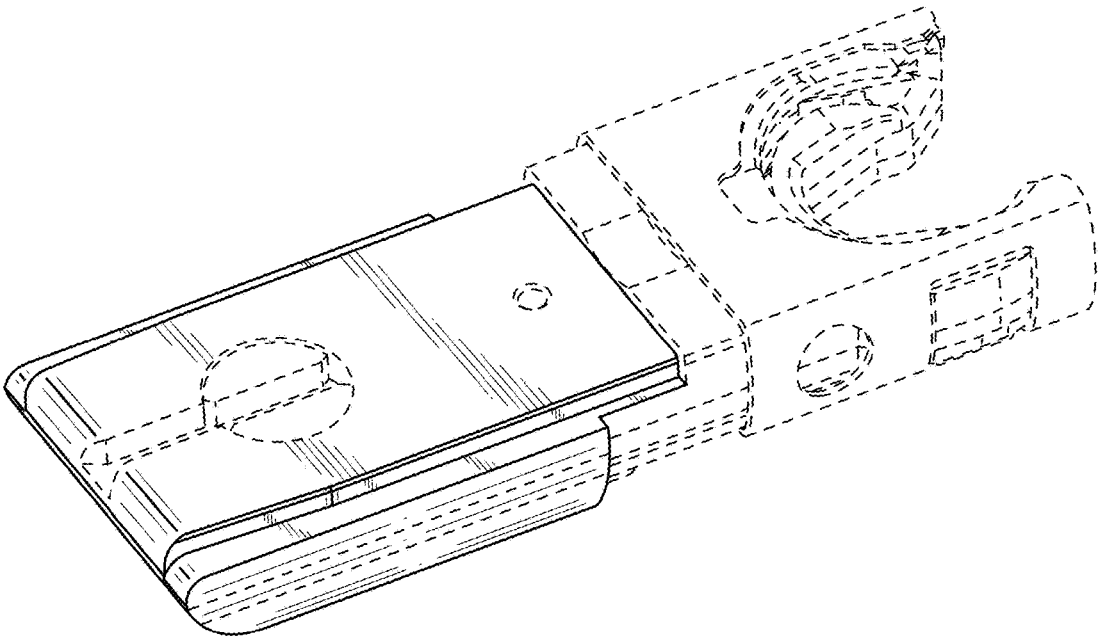


FIG. 1

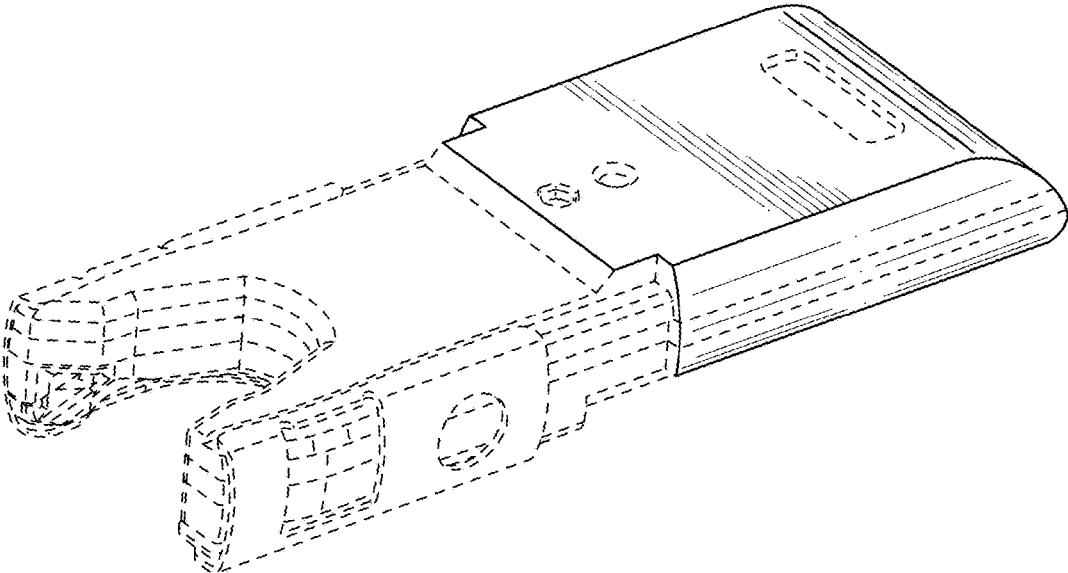


FIG. 2

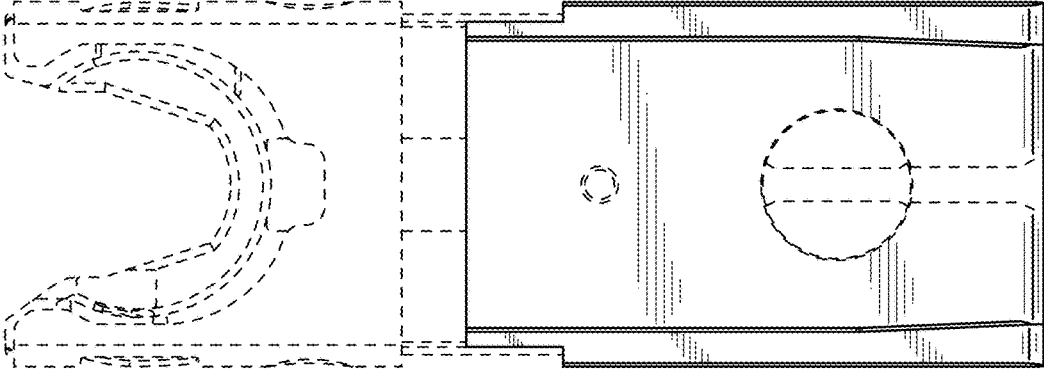


FIG. 3

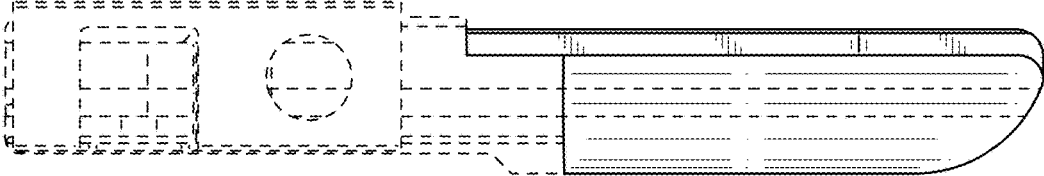


FIG. 4

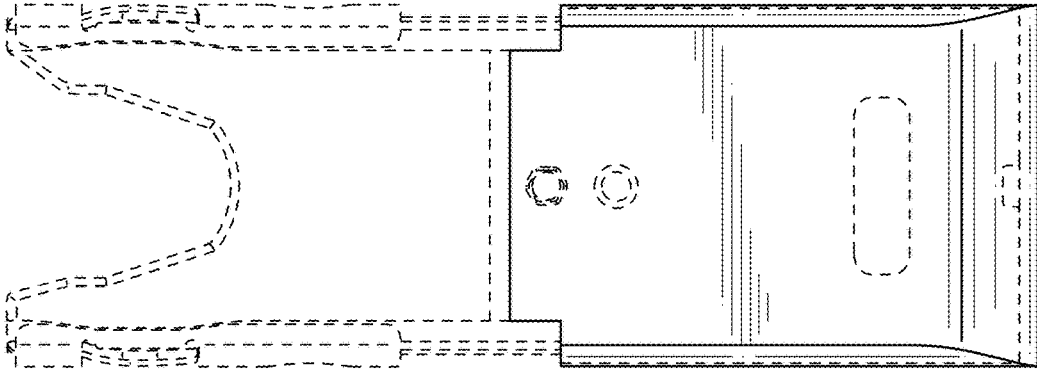


FIG. 5

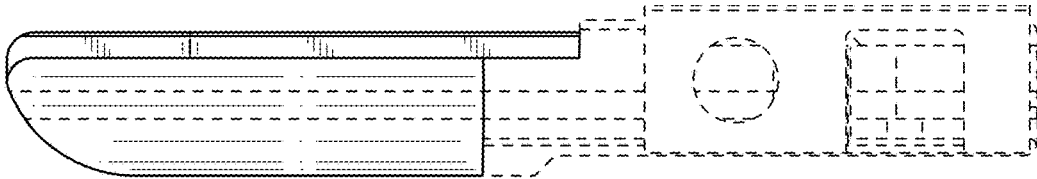


FIG. 6

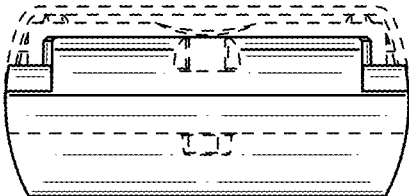


FIG. 7

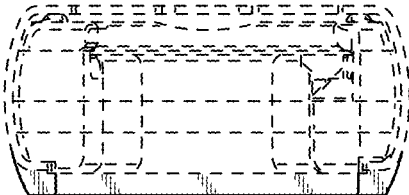


FIG. 8