



US00D362685S

United States Patent [19] Perkitny

[11] Patent Number: **Des. 362,685**

[45] Date of Patent: ****Sep. 26, 1995**

[54] **PENCIL HOLDER AND COIN BANK**

[76] Inventor: **Jerzy Perkitny**, 28115 Osborn, Bay Village, Ohio 44140

[**] Term: **14 Years**

[21] Appl. No.: **28,508**

[22] Filed: **Sep. 16, 1994**

[52] U.S. Cl. **D19/77; D19/75; D19/85; D99/36**

[58] Field of Search **D19/35, 36, 65, D19/75, 77, 78, 81-85, 86, 90, 91, 95, 99, 100; 206/214, 224, 371; 232/4 R; 453/3, 5, 9; D99/34, 35, 36**

[56] **References Cited**

U.S. PATENT DOCUMENTS

D. 059,791	11/1921	Szepe	D99/34
D. 177,002	3/1956	Barker	D99/35
D. 183,856	11/1958	Moses	D99/34
D. 233,063	10/1974	Sederquist	D99/34
D. 262,749	1/1982	Taivalvuo	D99/34
D. 296,116	6/1988	Klodt	D19/85
D. 319,074	8/1991	Robinson	D19/75
D. 334,948	4/1993	Kirchner	D19/77 X
1,408,795	3/1922	Aronson	232/4 R

OTHER PUBLICATIONS

Dora Dobbs Catalog ©1990, see p. 8, circled coin bank upper right corner.

Primary Examiner—Martie Thompson
Attorney, Agent, or Firm—Watts, Hoffman, Fisher & Heinke Co.

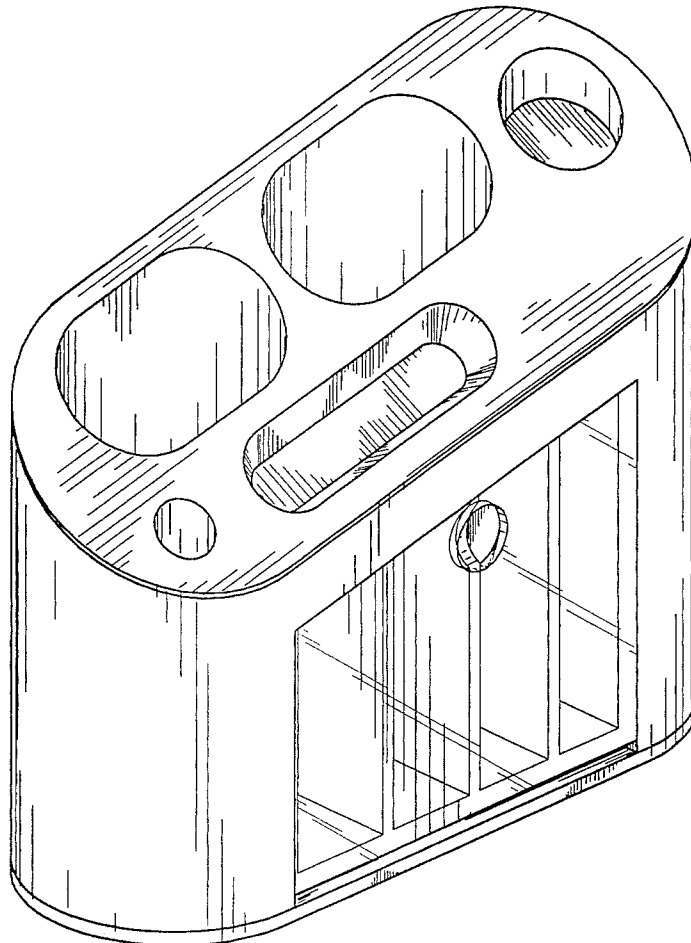
[57] **CLAIM**

The ornamental design for a pencil holder and coin bank, as shown.

DESCRIPTION

FIG. 1 is a perspective view of a pencil holder and coin bank showing my new design;
FIG. 2 is a front elevational view of the pencil holder and coin bank;
FIG. 3 is a top plan view of the pencil holder and coin bank;
FIG. 4 is a rear elevational view of the pencil holder and coin bank;
FIG. 5 is a bottom plan view of the pencil holder and coin bank;
FIG. 6 is a left side elevational view; and,
FIG. 7 is a right side elevational view of the pencil holder and coin bank.

1 Claim, 4 Drawing Sheets



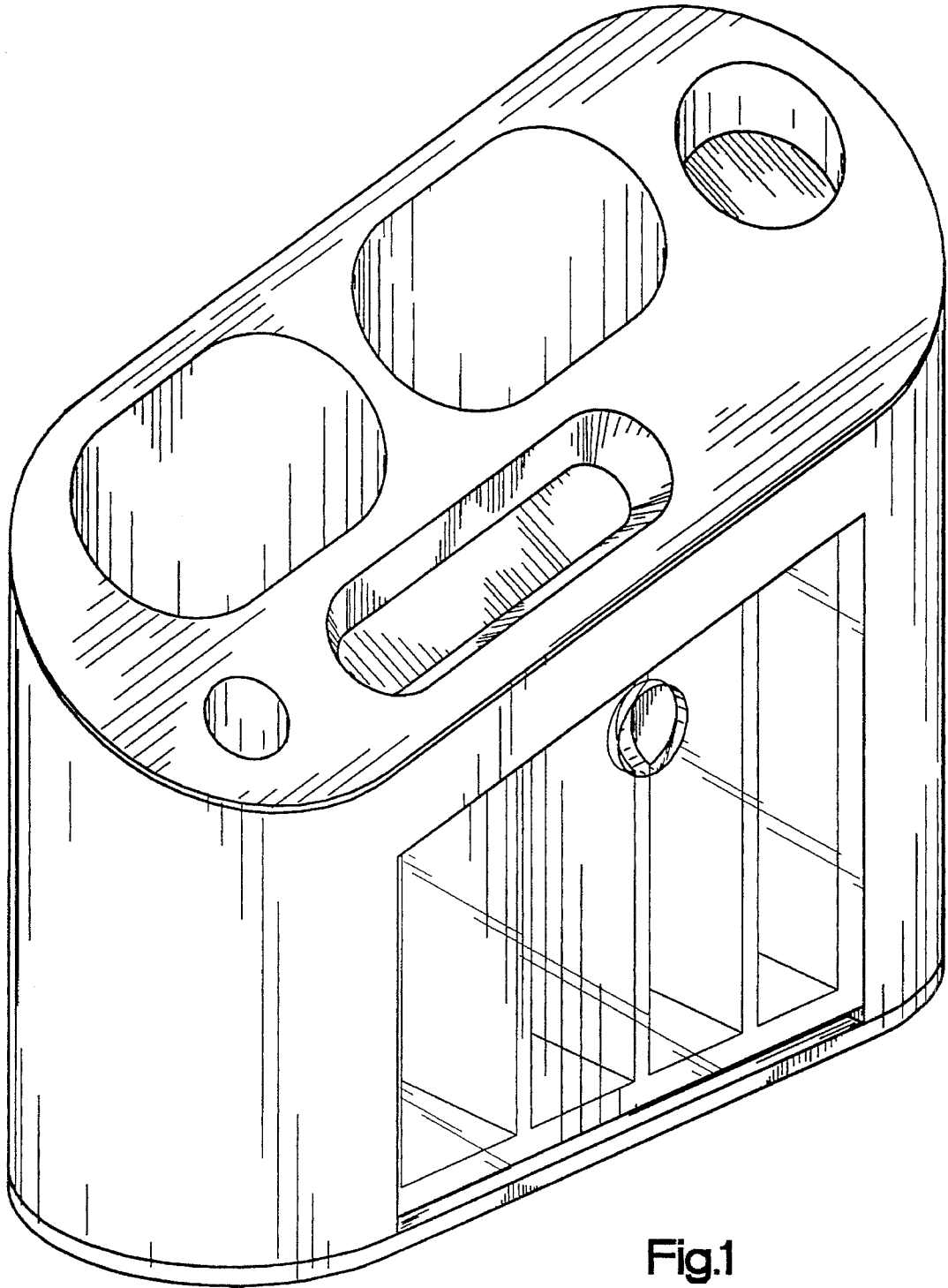


Fig.1

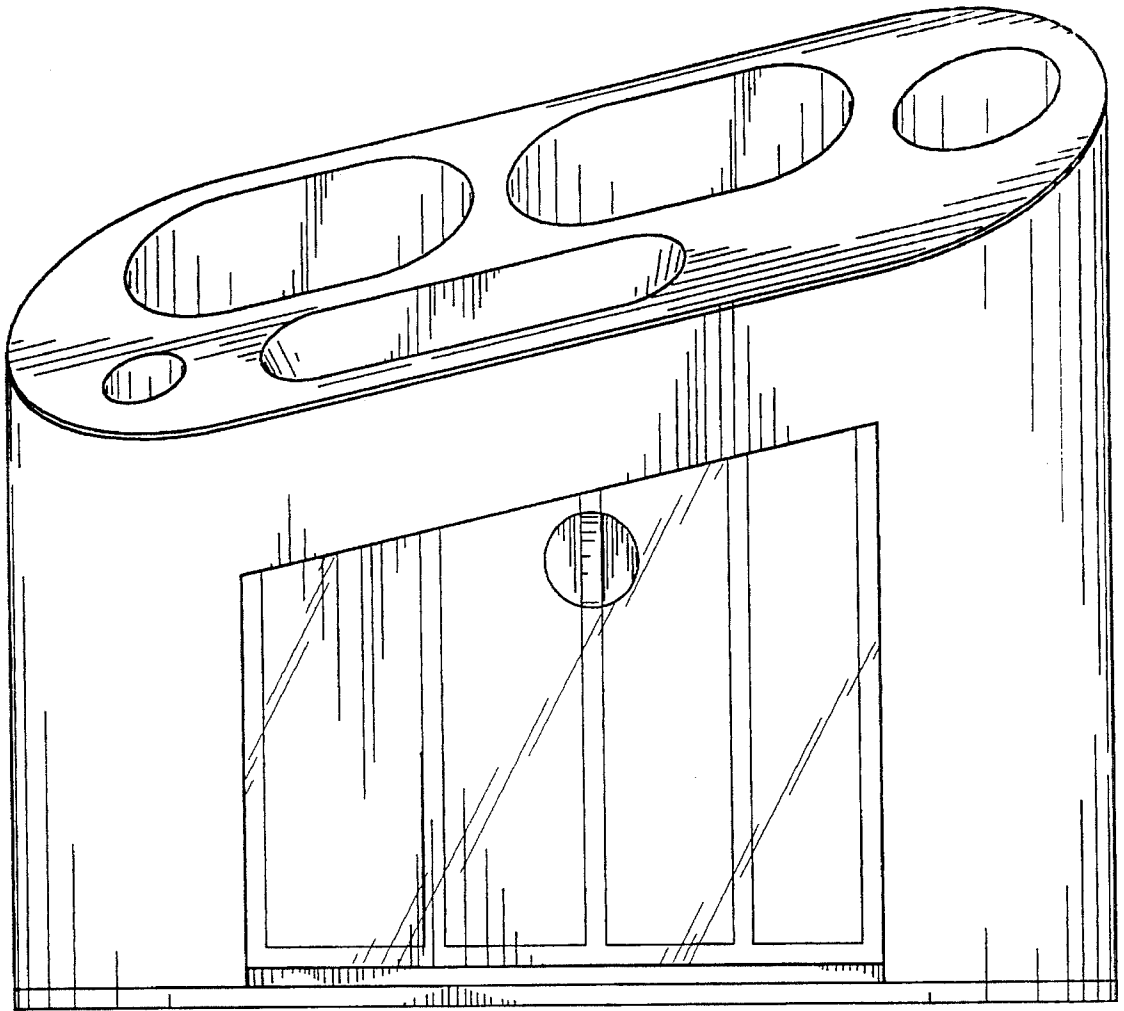


Fig.2

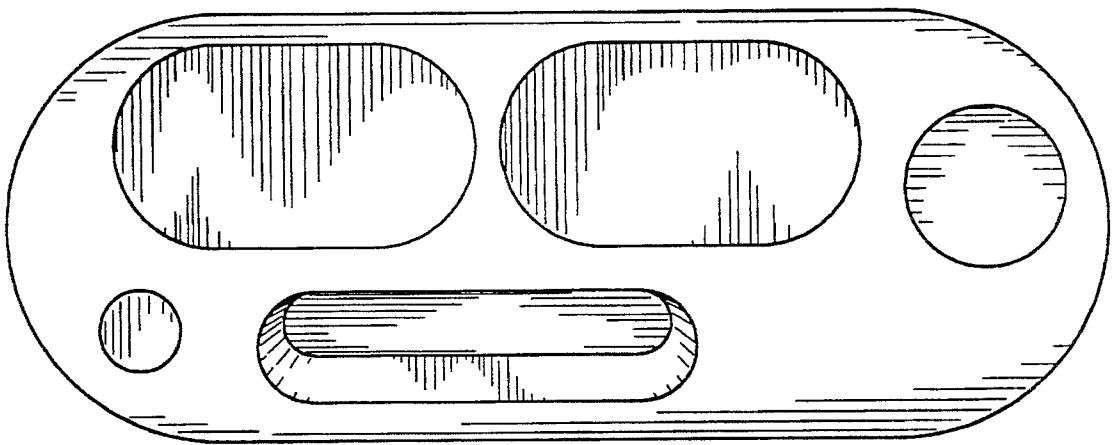


Fig.3

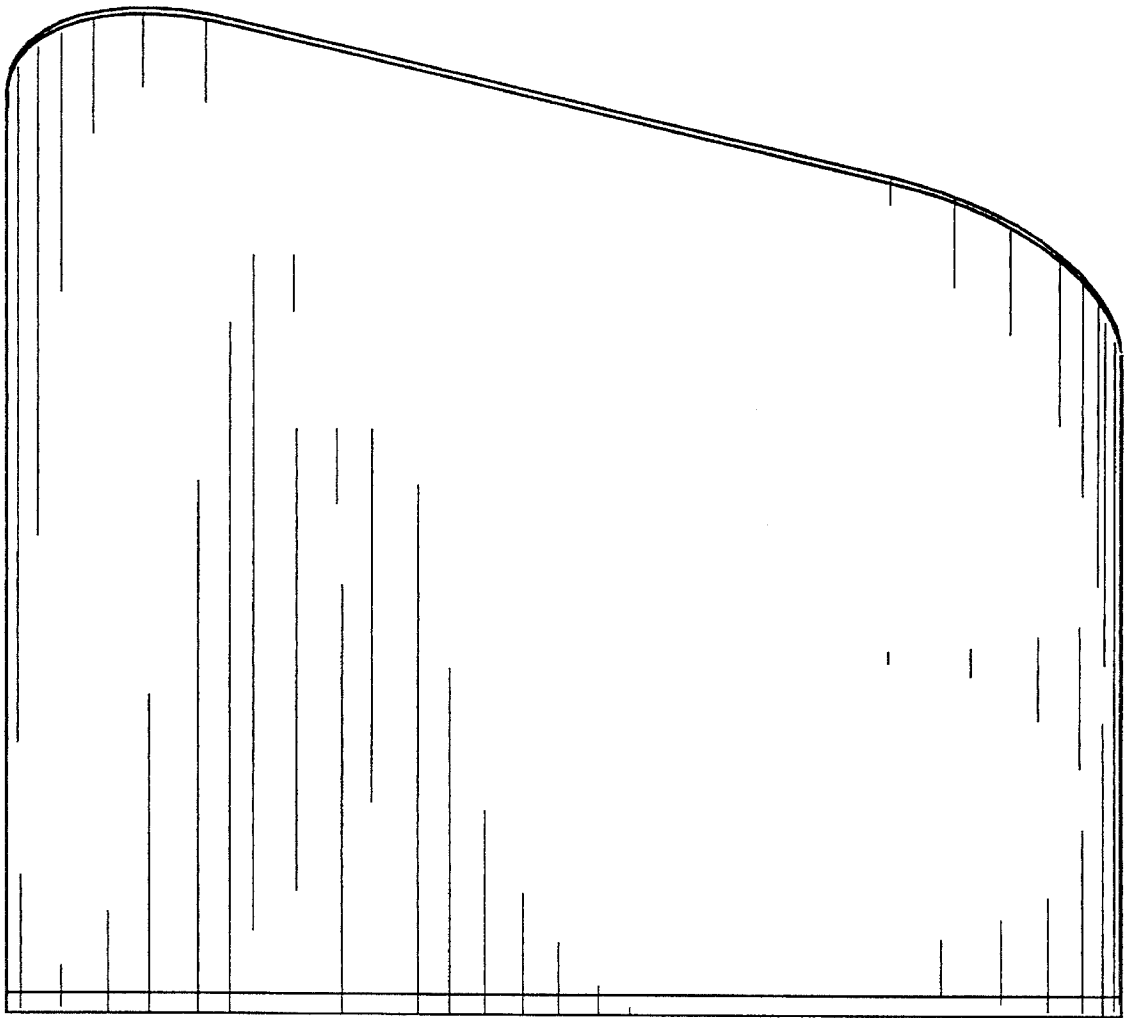


Fig.4

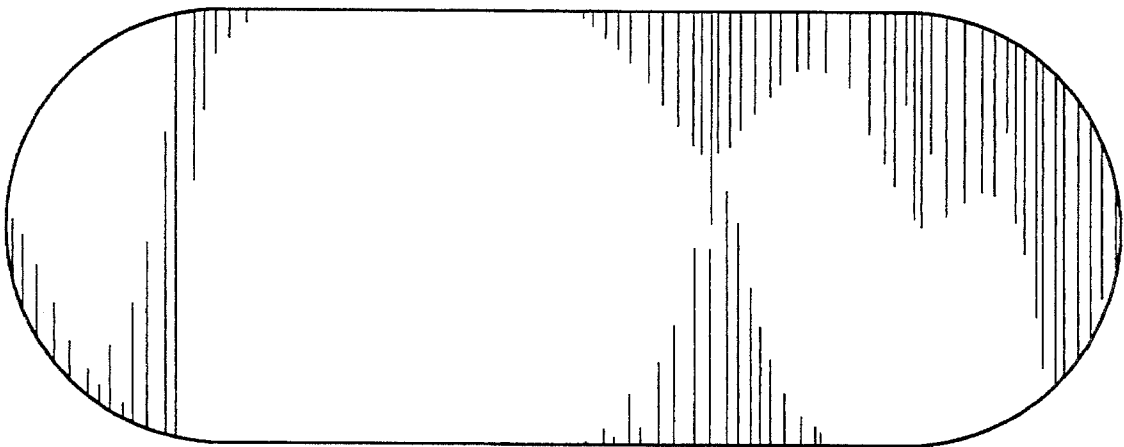


Fig.5

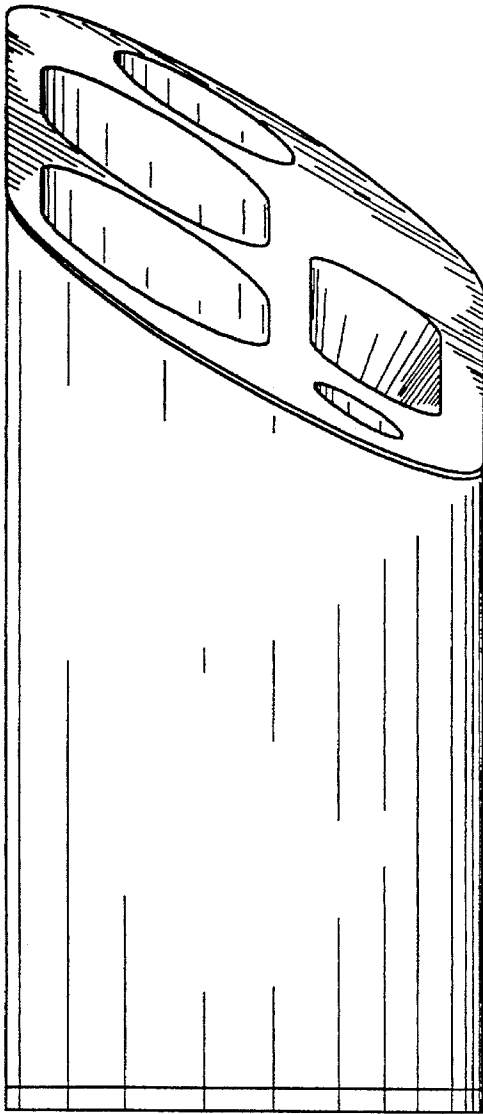


Fig.6

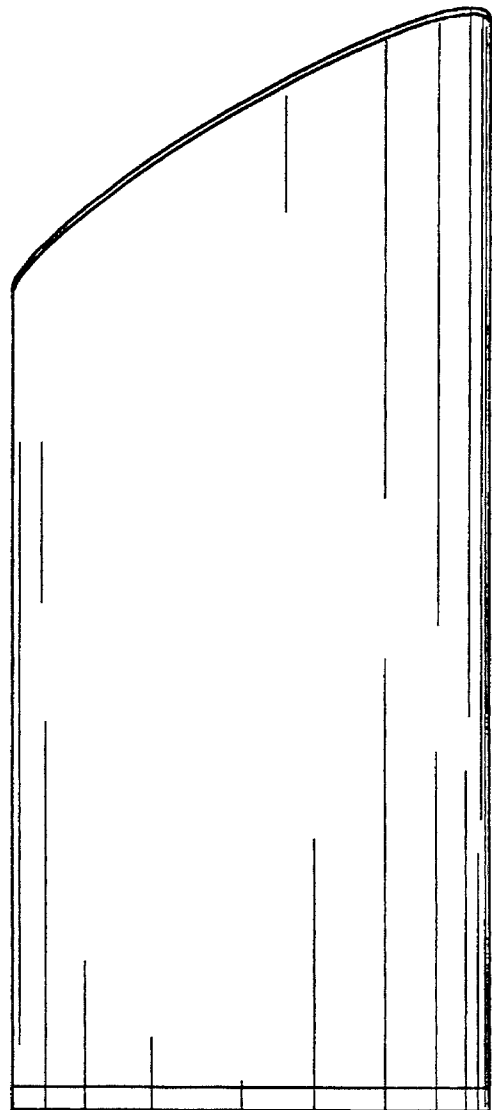


Fig.7