



US00D903358S

(12) **United States Design Patent** (10) **Patent No.:** **US D903,358 S**  
**Smrstick** (45) **Date of Patent:** **\*\* Dec. 1, 2020**

(54) **FURNITURE**

FOREIGN PATENT DOCUMENTS

(71) Applicant: **Blu Dot Design & Manufacturing, Inc.**, Minneapolis, MN (US)

EM 000063995-0017 \* 8/2003  
JP D1632708 \* 4/2019  
KR 300661918.0000 \* 8/2011

(72) Inventor: **Scott Smrstick**, Minneapolis, MN (US)

OTHER PUBLICATIONS

(73) Assignee: **Blu Dot Design & Manufacturing, Inc.**, Minneapolis, MN (US)

America Luxury, Contemporary Modern Outdoor Patio Balcony Garden Lounge Sofa White Grey Gray Fabric Aluminum, [online] retrieved Jun. 7, 2020, available from internet, www.amazon.com (Year: 2020).\*

(\*\*) Term: **15 Years**

(21) Appl. No.: **29/684,311**

(Continued)

(22) Filed: **Mar. 20, 2019**

*Primary Examiner* — Keli L Hill

(51) **LOC (12) Cl.** ..... **06-01**

*Assistant Examiner* — Sara S Sahneh

(52) **U.S. Cl.**

(74) *Attorney, Agent, or Firm* — Fredrikson & Byron, P.A.

USPC ..... **D6/374**

(58) **Field of Classification Search**

USPC ..... D6/329, 334, 367-376, 358-366, 353, D6/335-340, 352, 377-383, 392-395, D6/710-712, 716, 716.1, 716.2, 716.3; 297/440.1, 440.21, 452.14  
CPC .. A47C 11/00; A47C 4/02; A47C 4/03; A47C 4/08; A47C 4/024; A47C 4/025; A47C 4/028; A47C 5/04; A47C 7/16; A47C 5/12; A47C 7/36; A47C 7/40; A47C 9/007; A47C 13/023; A47C 5/08; A47C 17/175; A47C 13/005; A47C 11/005

See application file for complete search history.

(56) **References Cited**

U.S. PATENT DOCUMENTS

D177,081 S \* 3/1956 Wells ..... D6/334  
D186,308 S \* 10/1959 Knoll ..... D6/334  
D190,805 S \* 7/1961 Deskey ..... D6/334  
D457,005 S \* 5/2002 Mourgue ..... D6/334  
D498,064 S \* 11/2004 Gomez ..... D6/334  
D514,335 S \* 2/2006 Patti ..... D6/334  
D554,916 S \* 11/2007 Schultz ..... D6/716  
D569,112 S \* 5/2008 Swanson ..... D6/334  
D698,169 S \* 1/2014 Caldwell ..... D6/370  
D878,796 S \* 3/2020 Gabbertas ..... D6/378

(Continued)

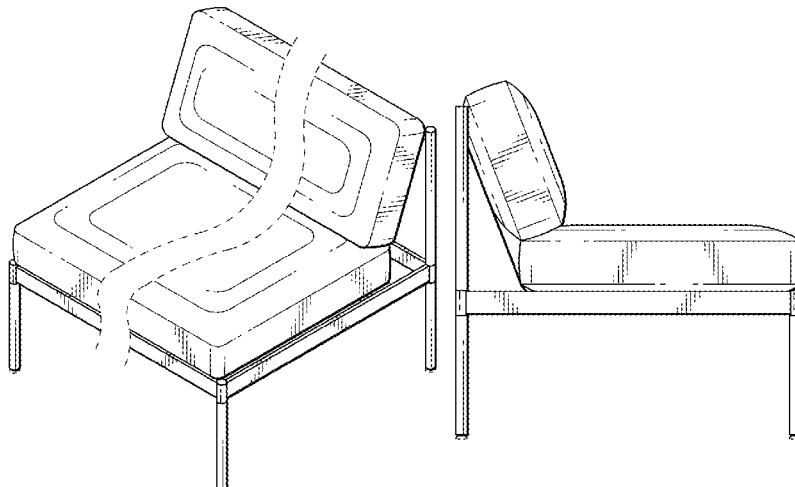
(57) **CLAIM**

Applicant claims the ornamental design for a furniture, as shown and described.

**DESCRIPTION**

FIG. 1 is a front upper perspective view of a furniture of Applicant's design;  
FIG. 2 is a first side elevational view thereof, a second side elevational view being opposite the first side elevational view and being a mirror image thereof;  
FIG. 3 is a front elevational view thereof;  
FIG. 4 is a rear elevational view thereof;  
FIG. 5 is a top plan view thereof; and,  
FIG. 6 is a bottom plan view thereof.  
Where included, broken lines showing environment or structure are for illustrative purposes only and form no part of the claimed design.  
The appearance of any portion of the furniture between the break lines forms no part of the claimed design.

**1 Claim, 2 Drawing Sheets**



(56)

**References Cited**

U.S. PATENT DOCUMENTS

D880,887 S \* 4/2020 Gabbertas ..... D6/371

OTHER PUBLICATIONS

bludot.com, Chassis Sectional CS1-SEC1GG-SD, [online]retrieved Jun. 2, 2020, available from internet, <https://www.bludot.com/print/product/html/id/92122/> (Year: 2020).\*

Blu Dot Catalog No. 16, Designed in Minneapolis, Minnesota, published 2015, 44 pgs.

Blu Dot Catalog No. 17, Designed in Minneapolis, Minnesota, published 2015, 52 pgs.

Blu Dot Catalog No. 18, Designed in Minneapolis, Minnesota, published 2016, 51 pgs.

Blu Dot Catalog No. 19, Designed in Minneapolis, Minnesota, published 2016, 54 pgs.

Blu Dot Catalog No. 21, Cat 17F—Book A, Designed in Minneapolis, Minnesota, Applicant believes reference was published and available more than one year prior to the filing date of the instant application, 51 pgs.

Blu Dot Catalog No. 21, Cat 17F—Book B, Designed in Minneapolis, Minnesota, Applicant believes reference was published and available more than one year prior to the filing date of the instant application, 51 pgs.

Blu Dot Catalog No. 22, Cat 18S—Book B, Designed in Minneapolis, Minnesota, Applicant believes reference was published and available more than one year prior to the filing date of the instant application, 33 pgs.

Blu Dot Catalog No. 22, Cat18Sm\_RGB, Designed in Minneapolis, Minnesota, Applicant believes reference was published and available more than one year prior to the filing date of the instant application, 33 pgs.

\* cited by examiner

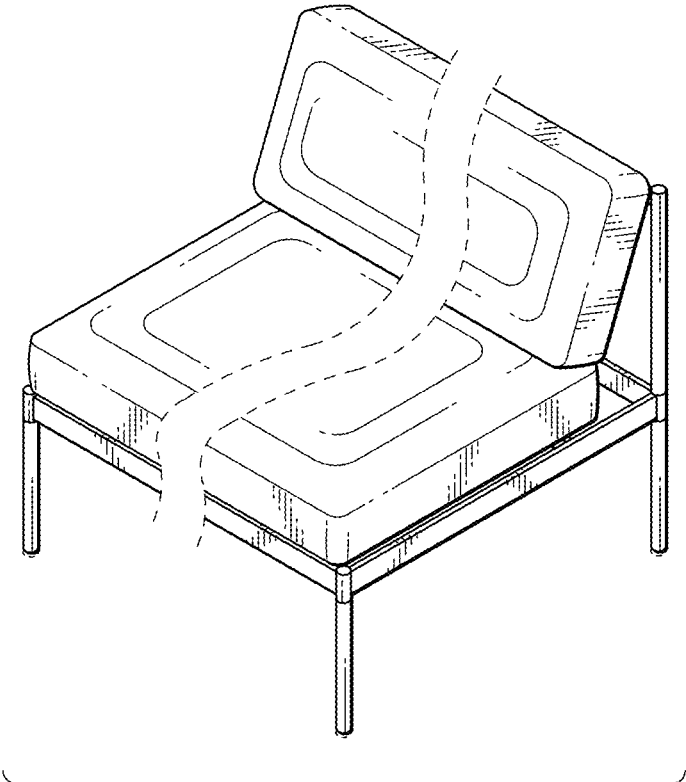


FIG. 1

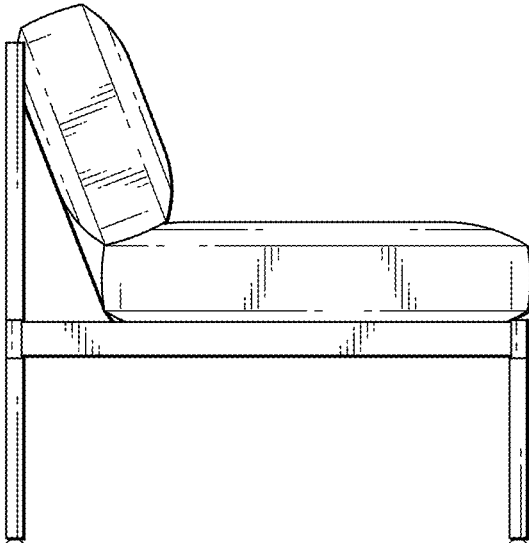


FIG. 2

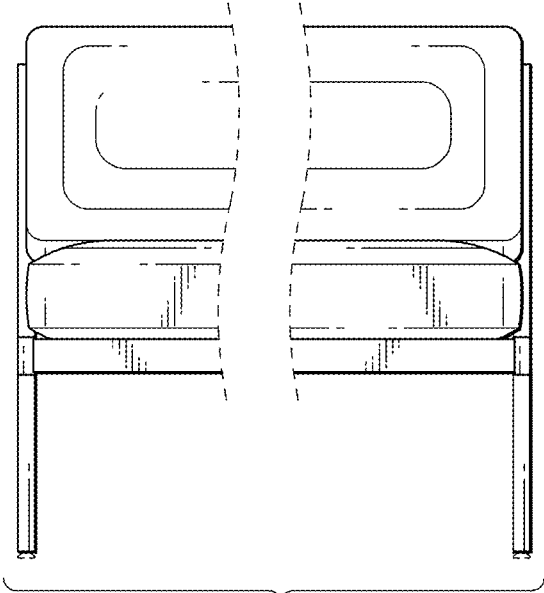


FIG. 3

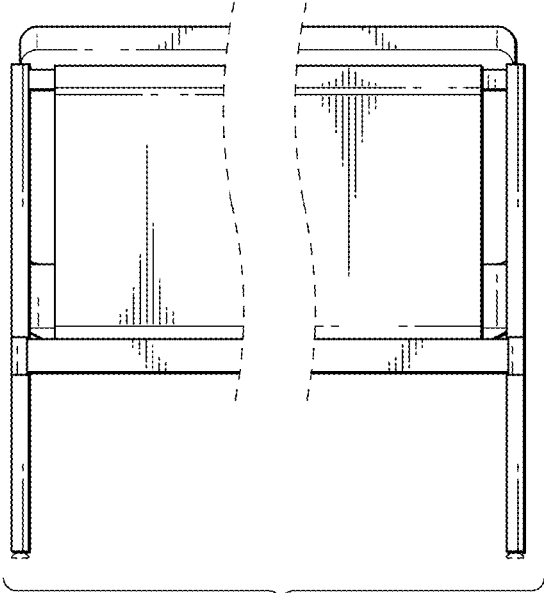


FIG. 4

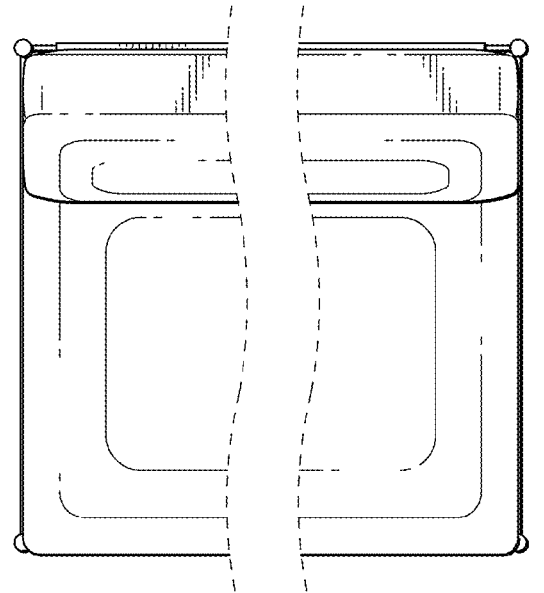


FIG. 5

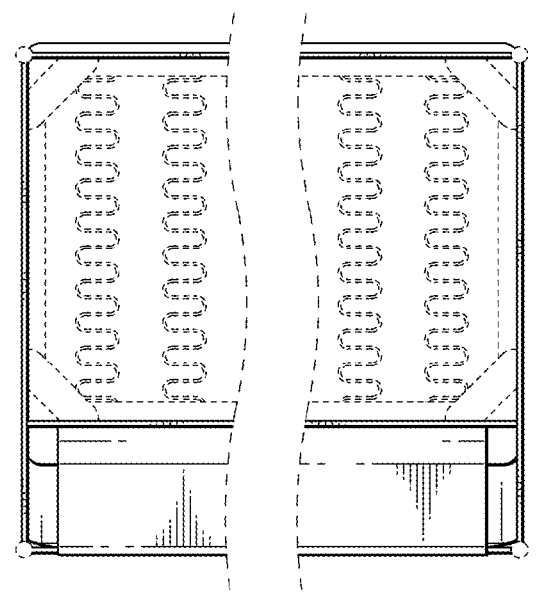


FIG. 6