



US00D965369S

(12) **United States Design Patent**
Gallagher

(10) **Patent No.:** **US D965,369 S**

(45) **Date of Patent:** **** Oct. 4, 2022**

(54) **BEVERAGE MAKING MACHINE
COMBINED WITH A SUNRISE ALARM
CLOCK**

D666,049 S *	8/2012	Struzka	D7/311
D713,194 S *	9/2014	Dakis	D7/311
D725,954 S *	4/2015	Michel	D7/311
D738,665 S *	9/2015	Tomasson	D7/301
D758,779 S *	6/2016	Regamy	D7/311
D769,045 S *	10/2016	Cha	D7/311
D799,256 S *	10/2017	Fabbri	D7/311

(Continued)

(71) Applicant: **Helt Vildt Limited**, London (GB)

(72) Inventor: **Joe Gallagher**, London (GB)

(**) Term: **15 Years**

FOREIGN PATENT DOCUMENTS

(21) Appl. No.: **35/512,452**

CN	304832817	*	9/2018
CN	305205877	*	6/2019

(Continued)

(22) Filed: **Jun. 30, 2021**

(80) **Hague Agreement Data**

Int. Filing Date: **Jun. 30, 2021**
 Int. Reg. No.: **DM/215890**
 Int. Reg. Date: **Jun. 30, 2021**
 Int. Reg. Pub. Date: **Aug. 27, 2021**

OTHER PUBLICATIONS

Eitah, Noora Abu, "The Presovar by Martin Necas," Jul. 6, 2008, TrendHunter, www.trendhunter.com/trends/presovar-by-martin-necas-the-new-queen-of-coffee-machines (Year: 2008).*

(Continued)

(51) **LOC (13) Cl.** **07-01**

(52) **U.S. Cl.**
USPC **D7/311**

(58) **Field of Classification Search**
 USPC D6/542, 543, 545; D7/300, 301, 305,
 D7/306-313, 315, 397-399, 593; D20/1,
 D20/3; D30/132, 133
 CPC .. A47J 31/00; A47J 31/10; A47J 31/14; A47J
 31/52

See application file for complete search history.

Primary Examiner — Joseph Kukella
Assistant Examiner — Arva P Adams

(57) **CLAIM**

The ornamental design for a beverage making machine combined with a sunrise alarm clock, as shown and described.

DESCRIPTION

(56) **References Cited**

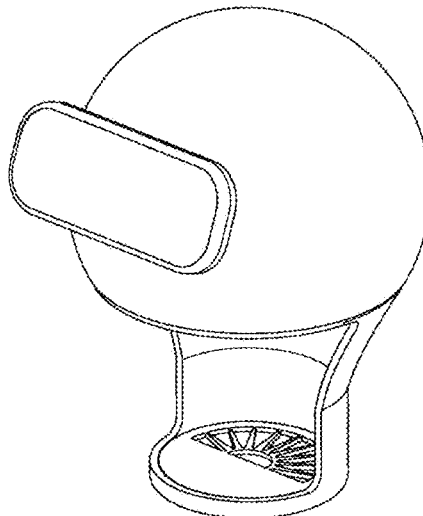
U.S. PATENT DOCUMENTS

D276,626 S *	12/1984	Lockwood	D99/28
D280,374 S *	9/1985	Breslow	D20/3
D353,296 S *	12/1994	Assmann	D7/311
D445,291 S *	7/2001	Fregnan	D7/311
D501,751 S *	2/2005	Lin	D7/311
D621,647 S *	8/2010	Jacquet	D7/311
D632,519 S *	2/2011	Zimmermann	D7/311
D642,218 S *	7/2011	Sanders	D20/1
D655,115 S *	3/2012	Binderbauer	D6/515
D661,536 S *	6/2012	Hughes, II	D7/311

1. Beverage making machine combined with a sunrise alarm clock

- 1.1** : Front
- 1.2** : Back
- 1.3** : Left
- 1.4** : Right
- 1.5** : Top
- 1.6** : Bottom
- 1.7** : Perspective
- 1.8** : Perspective

1 Claim, 8 Drawing Sheets



(56)

References Cited

U.S. PATENT DOCUMENTS

D810,490 S * 2/2018 Cha D7/311
D818,298 S * 5/2018 Kohler D7/311
D853,168 S * 7/2019 Marmier D7/311
D877,424 S * 3/2020 Xu D30/122
D877,552 S * 3/2020 Struzka D7/311
2018/0000281 A1 * 1/2018 Pugliese A47J 31/4403

FOREIGN PATENT DOCUMENTS

CN 305890894 * 6/2020
GB 6119827 * 2/2021
JP D1688279 * 6/2021
WO WO-2011067502 A1 * 6/2011 A47J 31/10

OTHER PUBLICATIONS

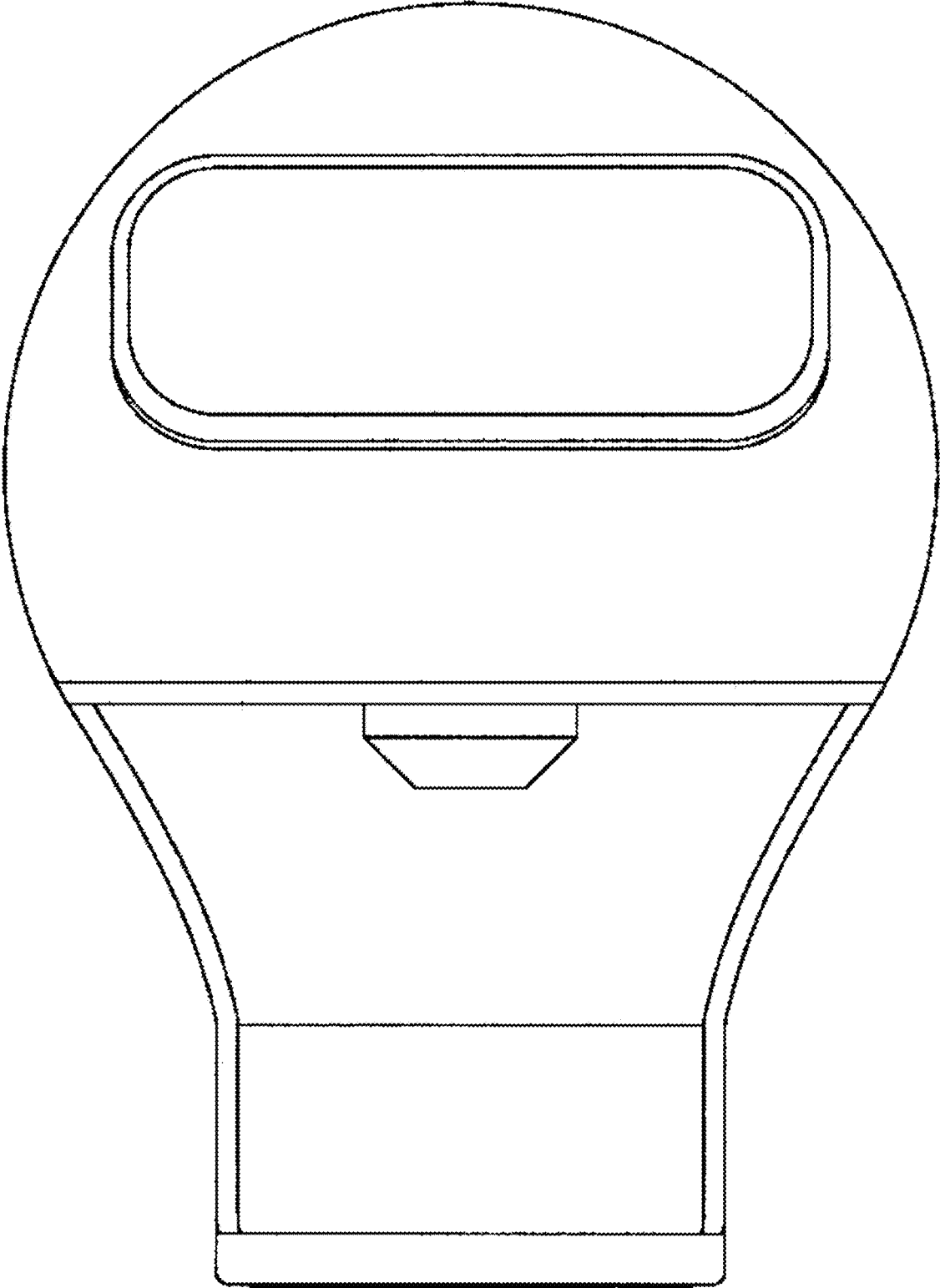
Brassfield, Marissa, "'Espresso' by Phil Rose Inspires Retro Nostalgia," Apr. 26, 2009, TrendHunter, www.trendhunter.com/trends/espresso-phil-rose-coffee-maker (Year: 2009).*

Kantharia, Raunek, "18 Cool Coffee Machines," Sep. 2, 2010, Walyou.com, <https://walyou.com/blog/2010/09/02/cool-coffee-machines/> (Year: 2010).*

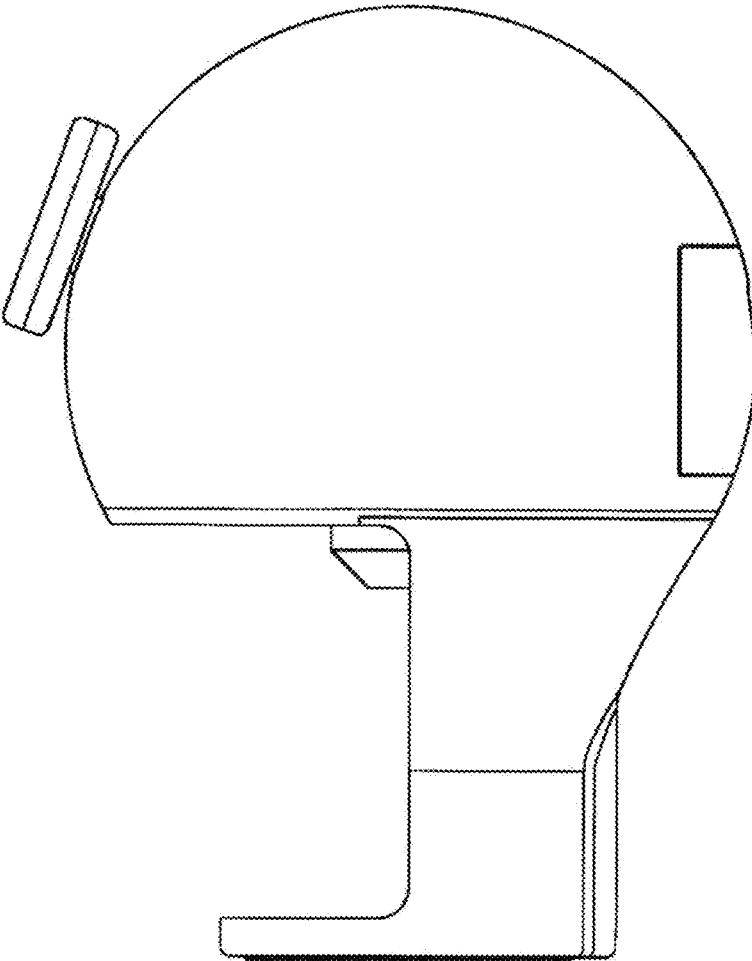
Scott, Alex, "The Podi Coffee Maker Will Jumpstart Your Heart," Apr. 19, 2010, TrendHunter, www.trendhunter.com/trends/podi-coffee-maker (Year: 2010).*

* cited by examiner

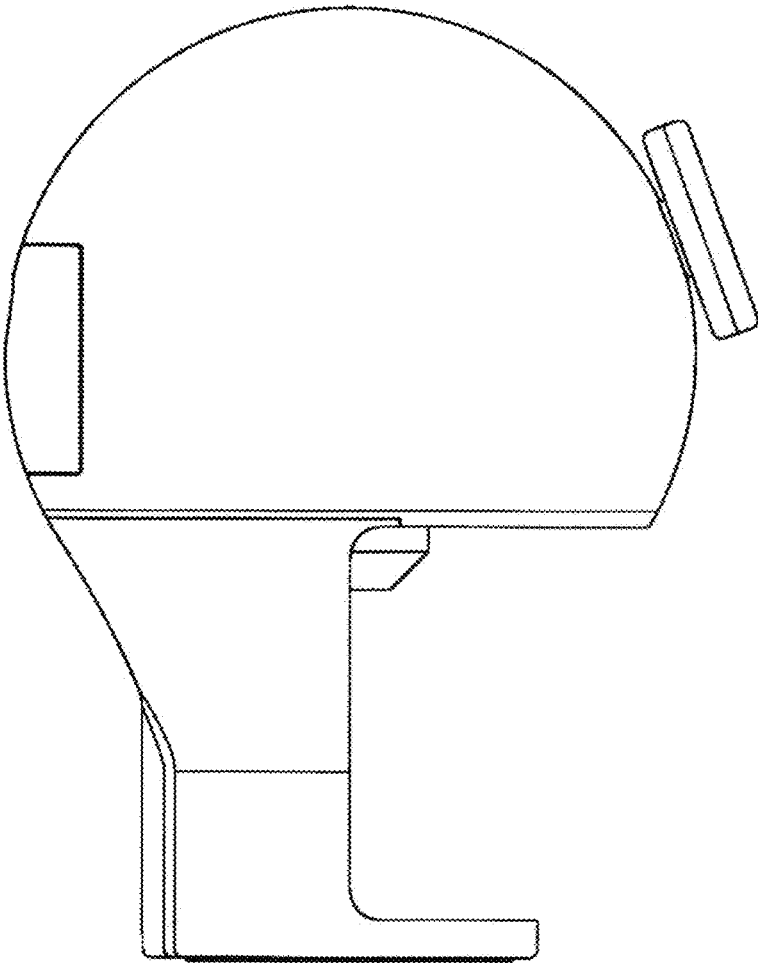
1.1



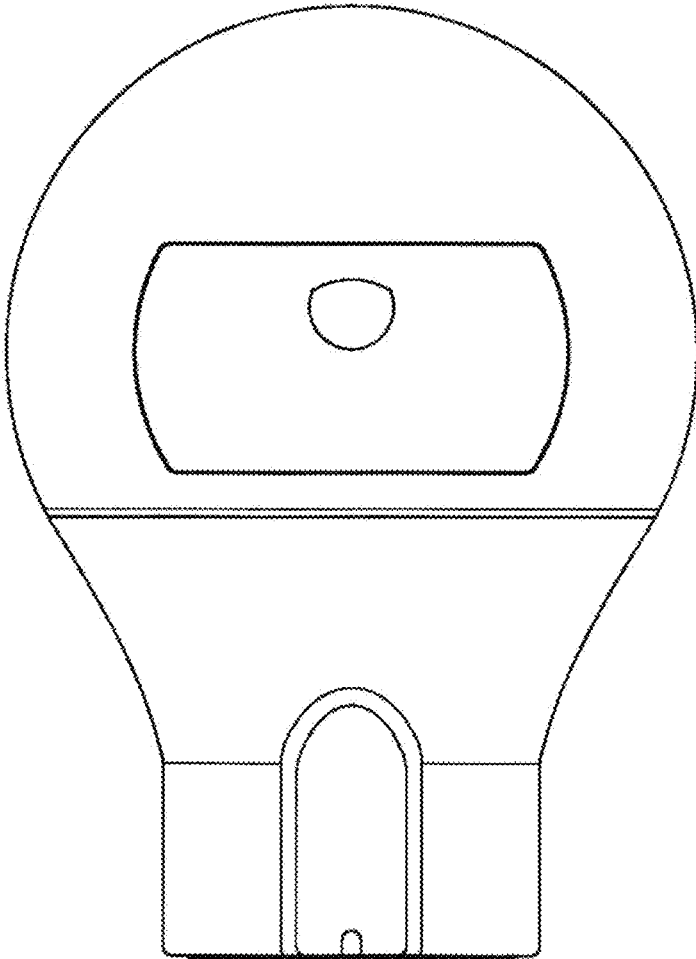
1.2



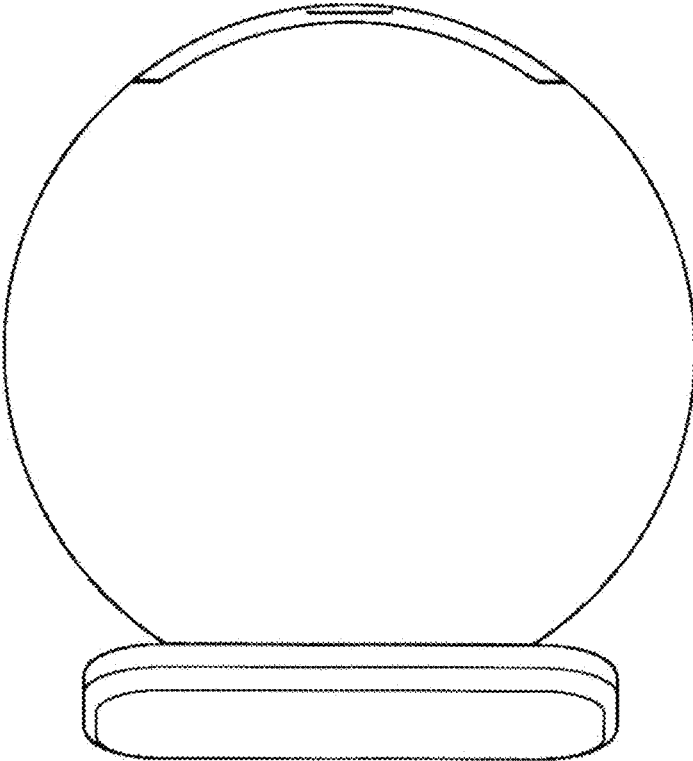
1.3



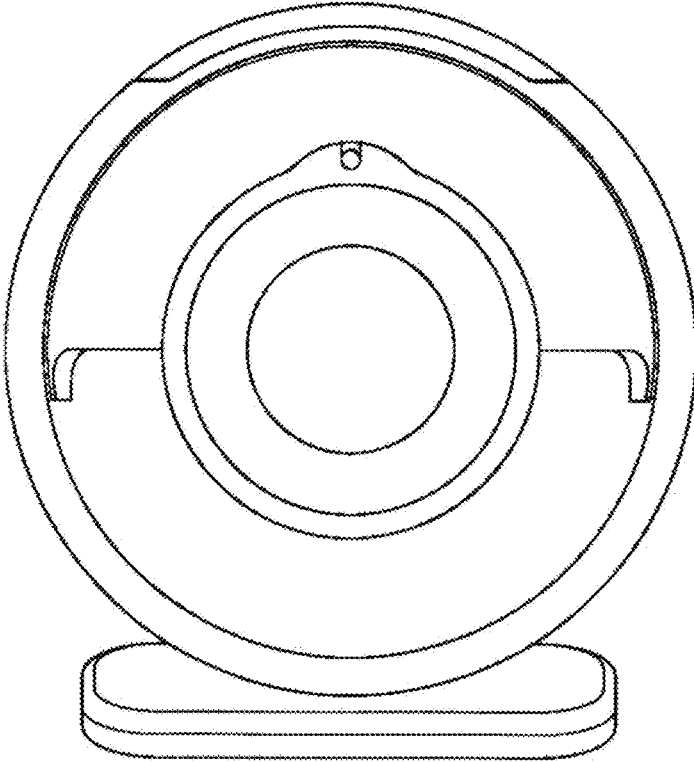
1.4



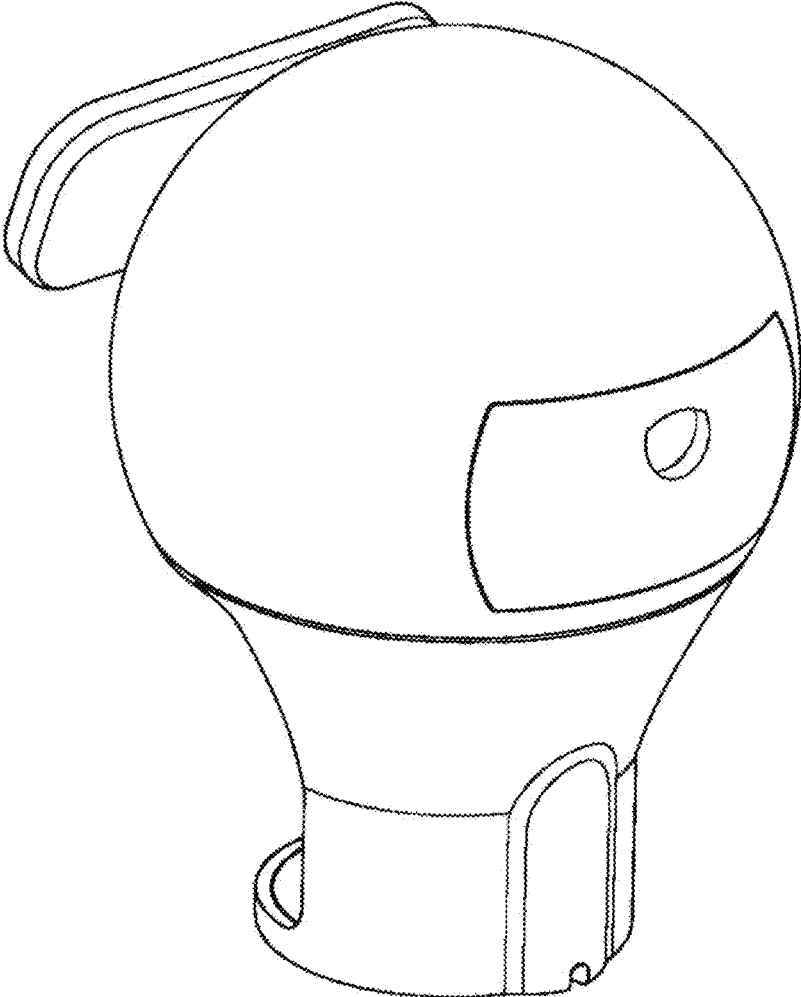
1.5



1.6



1.7



1.8

