



US00D768136S

(12) **United States Design Patent**
Ignomirello

(10) **Patent No.:** **US D768,136 S**

(45) **Date of Patent:** **** Oct. 4, 2016**

(54) **BEZEL**

(71) Applicant: **Symbolic IO Corporation**, Holmdel, NJ (US)

(72) Inventor: **Brian M. Ignomirello**, Holmdel, NJ (US)

(73) Assignee: **SYMBOLIC IO CORPORATION**, Holmdel, NJ (US)

(**) Term: **15 Years**

(21) Appl. No.: **29/566,606**

(22) Filed: **Jun. 1, 2016**

(51) **LOC (10) Cl.** **14-02**

(52) **U.S. Cl.**

USPC **D14/439**; D14/432

(58) **Field of Classification Search**

USPC D14/300-302, 308-313, 314, 348,
D14/353-355, 432, 439-446, 240;
361/679.02, 679.31, 679.5, 690, 694,
361/679.23, 801, 802; 312/332.1, 334.1;
D13/162; D10/50

CPC .. B65H 1/00; B65H 1/266; B65H 2402/441;
B65H 2405/311; B65H 2405/313

See application file for complete search history.

D462,075 S 8/2002 Hillyard et al.
6,494,780 B1 12/2002 Norbury, Jr.
D471,912 S * 3/2003 Camarota D14/432
D475,061 S * 5/2003 Huang D14/432
D483,378 S * 12/2003 Mundt D14/432
6,683,545 B2 * 1/2004 Strasser G01D 5/04
250/231.13
D503,717 S * 4/2005 Kawamura D14/432

(Continued)

FOREIGN PATENT DOCUMENTS

WO 2010138824 A2 12/2010

OTHER PUBLICATIONS

Highly Reliable Systems, "Raid Frame 5 Bay", retrieved on Jan. 29, 2016 from <https://www.high-rely.com/products/raidframe5bay/>, 1 Page.

(Continued)

Primary Examiner — Austin Murphy
(74) *Attorney, Agent, or Firm* — Maldjian Law Group LLC

(57) **CLAIM**

The ornamental design for a bezel, as shown and described in the figures.

(56) **References Cited**

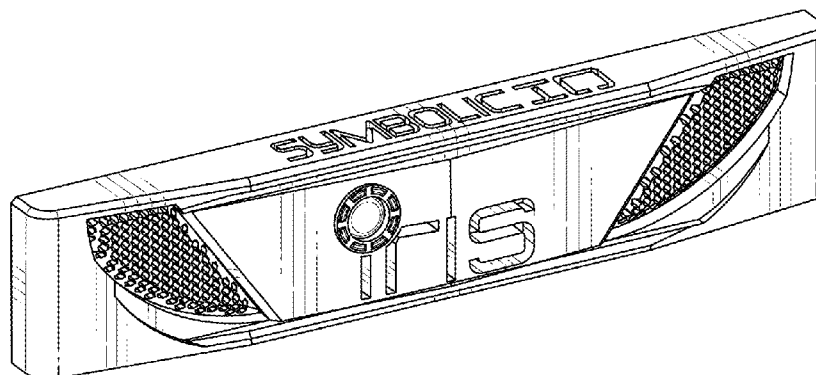
U.S. PATENT DOCUMENTS

4,625,710 A 12/1986 Harada et al.
4,931,340 A 6/1990 Baba et al.
5,168,171 A 12/1992 Tracewell
D357,461 S 4/1995 Zaplatynsky et al.
D366,246 S 1/1996 Simek et al.
D372,909 S * 8/1996 Naufel D14/432
D382,880 S 8/1997 Cienkus et al.
5,751,549 A 5/1998 Eberhardt et al.
D396,690 S 8/1998 Fryers
D415,747 S 10/1999 Wu
D421,428 S 3/2000 Wu
D422,993 S * 4/2000 Storti D14/432
6,275,173 B1 * 8/2001 Wu H01H 25/008
250/231.13

DESCRIPTION

FIG. 1 is a front, top and right perspective view of a bezel showing my new design;
FIG. 2 is a front, top and left perspective view thereof;
FIG. 3 is a front, top and right perspective view thereof;
FIG. 4 is a front plan view thereof;
FIG. 5 is a rear plan view thereof;
FIG. 6 is a left plan view thereof;
FIG. 7 is a right plan view thereof;
FIG. 8 is a top plan view thereof; and,
FIG. 9 is a bottom plan view thereof.

1 Claim, 9 Drawing Sheets



(56)

References Cited

U.S. PATENT DOCUMENTS

D513,751 S 1/2006 Alo et al.
 6,999,319 B2 2/2006 Wu et al.
 7,064,265 B2 6/2006 Cochrane
 D535,298 S 1/2007 Cochrane
 7,492,607 B2 2/2009 Nguyen et al.
 D590,831 S * 4/2009 Evans D14/432
 D593,565 S * 6/2009 Dearborn D14/313
 D619,108 S 7/2010 Lin
 D631,480 S * 1/2011 Vaughan D14/313
 D646,954 S 10/2011 Azelton et al.
 D656,250 S 3/2012 Forster et al.
 D656,502 S * 3/2012 Cacioppo D14/453
 D659,653 S 5/2012 Lin
 D661,696 S 6/2012 Takada
 D662,501 S * 6/2012 Lohman D14/432
 D662,504 S * 6/2012 Lohman D14/432
 8,265,323 B2 * 9/2012 Stiehl B29C 45/0025
 381/371
 D678,273 S 3/2013 Kuehn et al.
 D681,635 S 5/2013 Wang
 D685,373 S * 7/2013 Santos D14/432
 D694,240 S * 11/2013 Cho D14/432
 D694,758 S * 12/2013 Muller D14/432
 D699,212 S 2/2014 Tanaka
 D711,382 S * 8/2014 Eriksen D14/432
 D719,128 S 12/2014 Teulie
 D720,353 S * 12/2014 Nakamura D14/432
 D720,357 S 12/2014 Kwon et al.
 D722,995 S 2/2015 Moreau
 8,964,385 B2 2/2015 Lam et al.
 D729,809 S * 5/2015 Akana D14/439
 D734,754 S * 7/2015 Ficacci D14/432
 D735,726 S * 8/2015 Chen D14/432

D741,333 S * 10/2015 Aoyagi D14/432
 D742,883 S * 11/2015 Akana D14/432
 D743,404 S * 11/2015 Ignomirello D14/432

OTHER PUBLICATIONS

BACKBLAZE, "Backblaze Faceplates", Sep. 8, 2015, retrieved on Jan. 29, 2016 from <https://www.backblaze.com/blog/the-next-backblaze-face-plate/>, 9 Pages.
 Highly Reliable Systems, "MPac-G2 Media Tray", retrieved on Jan. 29, 2016 from <https://www.high-rely.com/products/mpac-media/>, 1 Page.
 All Data Parts, "Icy Dock ToughArmor MB992SK", retrieved on Jan. 29, 2016 from http://www.alldataparts.com/index.php?main_page=product_info&cPath=59_699_714&products_id=65914&zenid=c7a2e4f22f81deb6482a7df9318ad922, 2 Pages.
 Cisco, "Cisco Catalyst 4948 10 Gigabit Ethernet Switch Data Sheet", retrieved on Jan. 29, 2016 from http://www.cisco.com/c/en/us/products/collateral/switches/catalyst-4900-series-switches/product_data_sheet0900aecd80246552.html, 14 Pages.
 STARTECH, "Hot Swap Hard Drive Tray for SATSASBAY3BK", retrieved on Feb. 1, 2016 from <http://www.startech.com/HDD/Mobile-Racks/Extra-25inch-or-35inch-Hot-Swap-Hard-Drive-Tray-for-SATSASBAY3BK-SATSASTRAYBK>, 3 Pages.
 Cisco, "Replacing Cisco ASR 9000 Series Router Components", retrieved on Jan. 29, 2016 from <http://www.cisco.com/c/en/us/td/docs/routers/asr9000/hardware/installation/guide/asr9kHIGbk/asr9kIGmaintaining.html>, 15 Pages.
 Dell, "Hard Disk Drive Caddy or Tray", retrieved on Jan. 29, 2016 from http://www.aliexpress.com/store/product/F238F-3-5-Hot-Swap-SAS-SATA-Hard-Disk-Drive-Caddy-Tray/1129178_1677183967.html, 4 Pages.
 PHILIPS, "Philips AZ302/98 CD Sound Machine", retrieved on Feb. 5, 2016 from <http://www.naaptol.com/portable-speakers/philips-az302/p/641367.html>, 3 Pages.

* cited by examiner

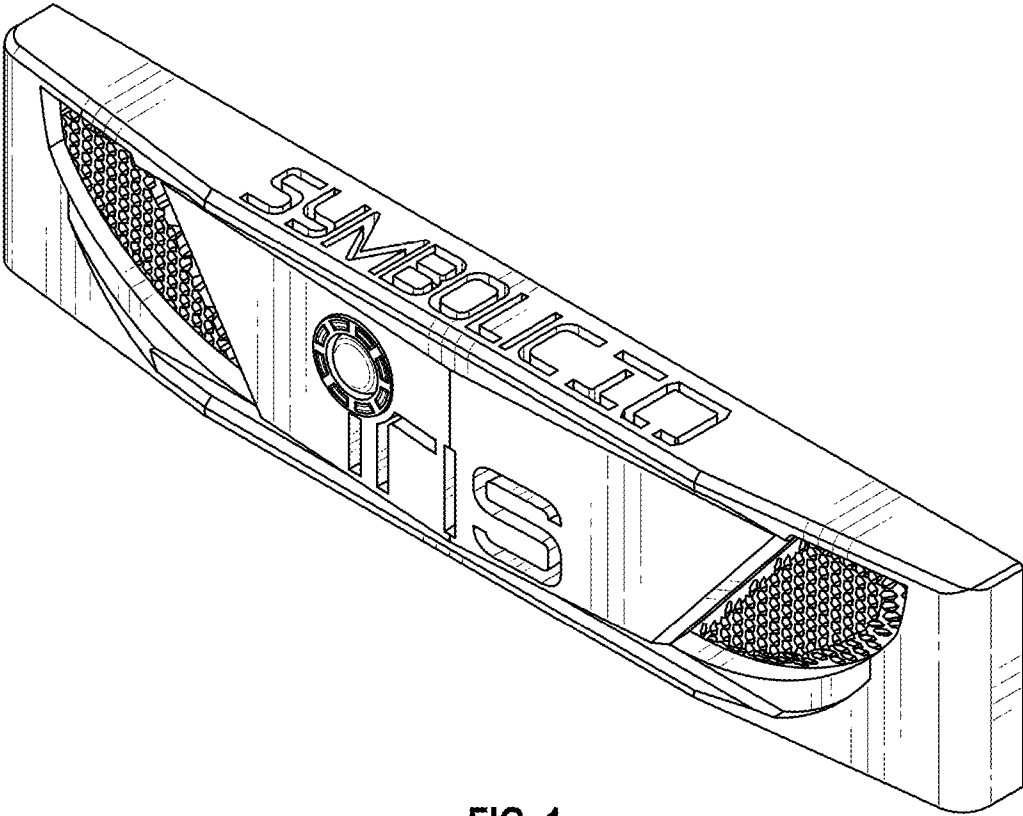


FIG. 1

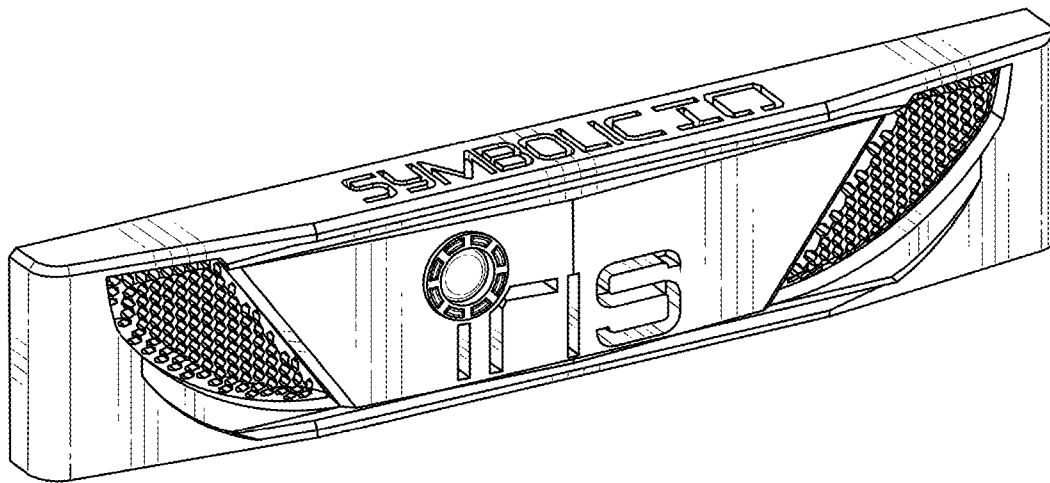


FIG. 2

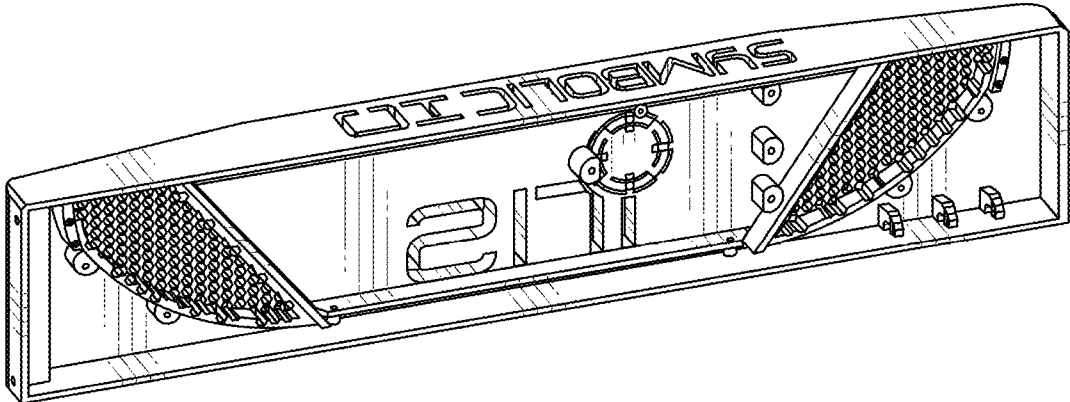


FIG. 3

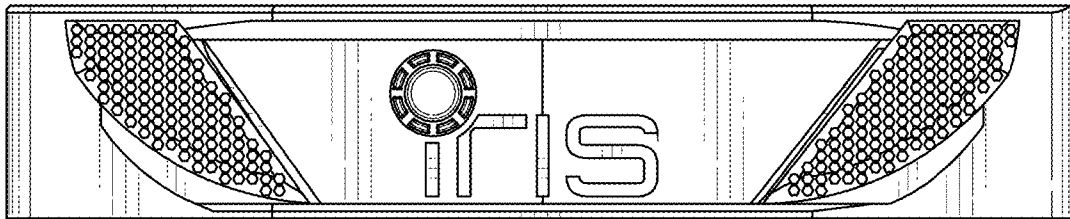


FIG. 4

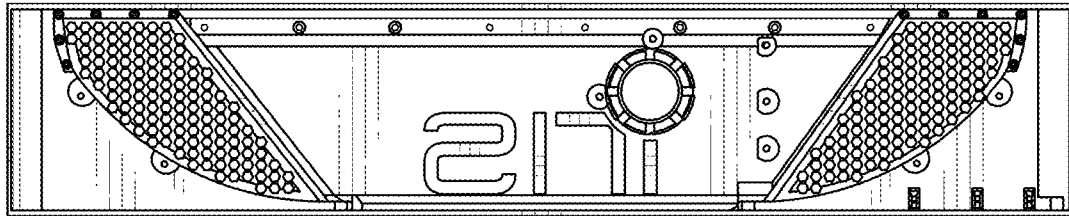


FIG. 5

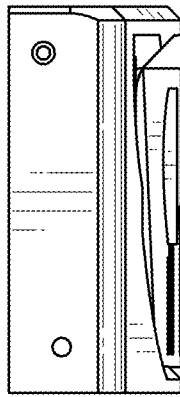


FIG. 6

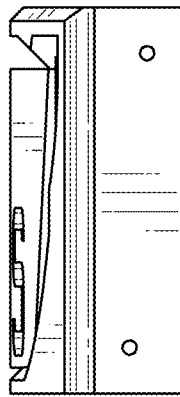


FIG. 7

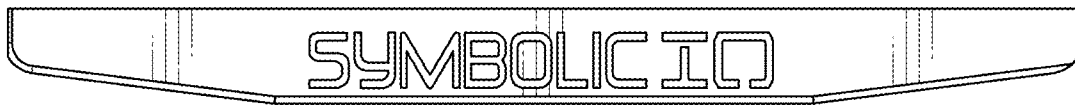


FIG. 8

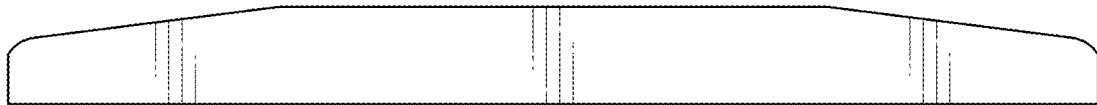


FIG. 9